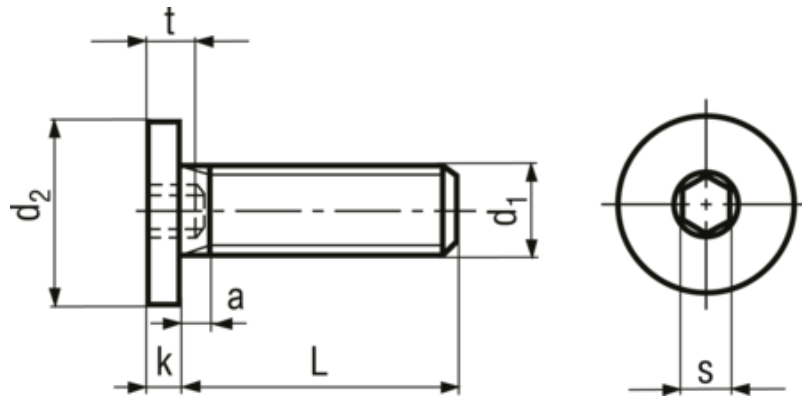


# Hex socket head cap screws with special low head

BN 20697



Additional information	Fasteners to the given specification have a reduced loadability due to the head geometry according to ISO 898-1.
Headform	Cylindrical special low
Drive	Hexagon socket
Thread	fully threaded
Material	Steel
Strength class	010.9
Surface	zinc plated blue
Warnings	ISO 4042 Quenched and tempered fasteners $\geq 360$ HV and tempered case-hardened fasteners with electroplated coatings: Susceptible to hydrogen embrittlement! Further notice to residual risks can be found in the introduction section.

Article no	d1	L	d2	k max	a max	s	t max
9011796	M3	5	6	1.37	1.5	1.5	2
9011797	M3	10	6	1.37	1.5	1.5	2
3739750	M4	6	8	1.5	2.1	2	2.5
3739751	M4	8	8	1.5	2.1	2	2.5
3739752	M4	10	8	1.5	2.1	2	2.5
3739753	M4	12	8	1.5	2.1	2	2.5
9011798	M4	20	8	1.5	2.1	2	2.5
3739754	M5	6	9	1.5	2.2	3	3
3739755	M5	8	9	1.5	2.2	3	3
3739756	M5	10	9	1.5	2.2	3	3
3739757	M5	12	9	1.5	2.2	3	3
3739758	M5	16	9	1.5	2.2	3	3
3739759	M5	20	9	1.5	2.2	3	3

Article no	d1	L	d2	k max	a max	s	t max
3739760	M5	25	9	1.5	2.2	3	3
3739761	M6	6	10	1.5	2.4	3	4
3739762	M6	8	10	1.5	2.4	3	4
3739763	M6	10	10	1.5	2.4	3	4
3739764	M6	12	10	1.5	2.4	3	4
3739765	M6	16	10	1.5	2.4	3	4
3739766	M6	20	10	1.5	2.4	3	4
3739767	M6	25	10	1.5	2.4	3	4
3739768	M6	30	10	1.5	2.4	3	4
9011799	M8	8	13	1.5	3.2	4	5
3739769	M8	10	13	1.5	3.2	4	5
3739771	M8	12	13	1.5	3.2	4	5
3739773	M8	16	13	1.5	3.2	4	5
3739774	M8	20	13	1.5	3.2	4	5
3739775	M8	25	13	1.5	3.2	4	5
3739776	M8	30	13	1.5	3.2	4	5
9011805	M8	40	13	1.5	3.2	4	5
9011806	M8	50	13	1.5	3.2	4	5
3739777	M10	12	16	1.5	3.5	5	6
9011807	M10	25	16	1.5	3.5	5	6