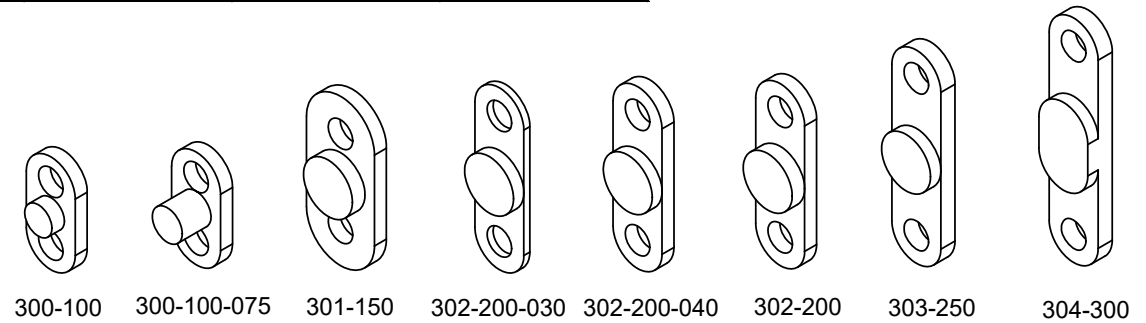
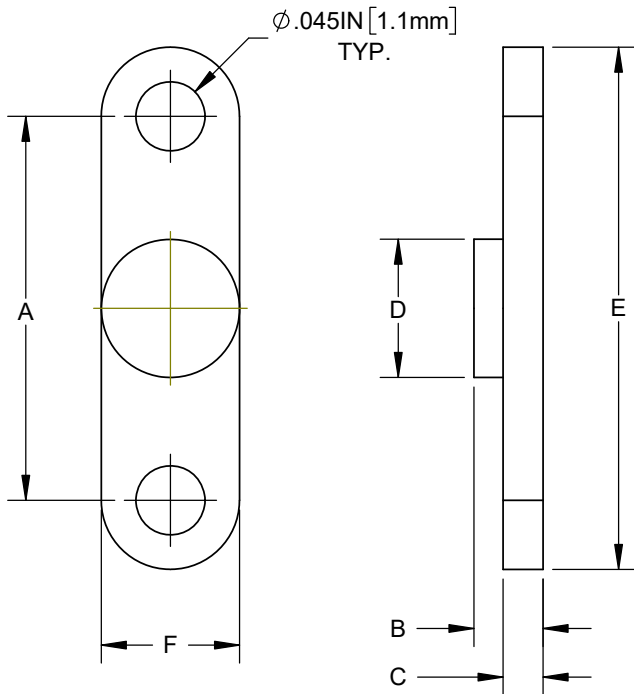
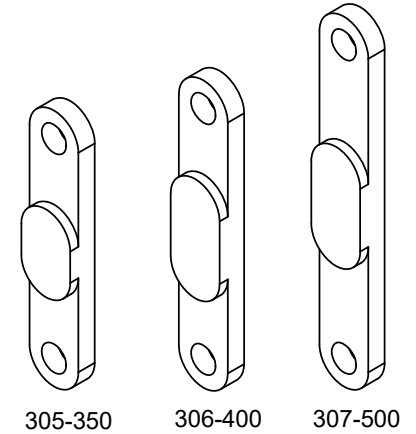


NOTES:

1. MATERIAL: NYLON 6/6, 94V-2, NATURAL

REVISIONS			
REV.	DESCRIPTION	DATE	APPROVED
D	RELEASE FOR QUOTATION	02/19/04	M.C.
E	PRODUCTION RELEASE	03/26/04	M.C.
F	REMOVED PART NO. IN PART OFFERING LIST	05/06/15	M.C.
G	REMOVE MATERIAL CODE	05/23/16	J.C.
H	ECO- 1222, CHANGE DIM "A" ON 3 PNs	9/12/2023	A.V.

Part No.	A	B	C	D	E	F
300-100	.100 [2.5mm]	.045 [1.1mm]	.022 [0.55mm]	.050 [1.3mm]	.180 [4.6mm]	.090 [2.3mm]
300-100-075	.098 [2.5mm]	.075 [1.9mm]	.022 [0.55mm]	.055 [1.4mm]	.180 [4.6mm]	.090 [2.3mm]
301-150	.150 [3.8mm]	.045 [1.1mm]	.022 [0.55mm]	.090 [2.3mm]	.270 [6.9mm]	.125 [3.2mm]
302-200-030	.200 [5.1mm]	.030 [0.76mm]	.011 [0.28mm]	.090 [2.3mm]	.290 [7.4mm]	.090 [2.3mm]
302-200-040	.200 [5.1mm]	.040 [1.0mm]	.022 [0.55mm]	.090 [2.3mm]	.290 [7.4mm]	.090 [2.3mm]
302-200	.200 [5.1mm]	.045 [1.1mm]	.022 [0.55mm]	.090 [2.3mm]	.290 [7.4mm]	.090 [2.3mm]
303-250	.252 [6.4mm]	.045 [1.1mm]	.026 [0.66mm]	.090 [2.3mm]	.340 [8.6mm]	.090 [2.3mm]
304-300	.300 [7.5mm]	.045 [1.1mm]	.026 [0.66mm]	.140 [3.6mm]	.390 [9.9mm]	.090 [2.3mm]
305-350	.350 [8.9mm]	.045 [1.1mm]	.030 [0.76mm]	.140 [3.6mm]	.440 [11.2mm]	.090 [2.3mm]
306-400	.402 [10.2mm]	.045 [1.1mm]	.030 [0.76mm]	.190 [4.8mm]	.490 [12.4mm]	.090 [2.3mm]
307-500	.500 [12.7mm]	.045 [1.1mm]	.030 [0.76mm]	.190 [4.8mm]	.590 [15.0mm]	.090 [2.3mm]



**CUSTOMER USE DRAWING**

STANDARD TOLERANCE (UNLESS OTHERWISE SPECIFIED)		 4 THOMAS, IRVINE, CA. 92618 TEL: (949) 951-8808 FAX: (949) 951-3974			
DECIMALS	ANGULAR				
.X ± .1	X° ± 1°	TITLE: CAPACITOR MOUNT, 300 SERIES			
.XX ± .01					
.XXX ± .005		DESIGNED: M.CHEN	DATE: 03/07/2003	DRAWING NO: 30X-XXX-XXX_H	REVISION: H
REVISION: A.VALDEZ		DATE: 09/12/2023	SHEET SIZE A	CAGE CODE: 32559	
CHECKED: R.PEREYRA		DATE: 09/12/2023	SCALE: 8:1	SHEET # 1 OF 1	
CAD GENERATED DOCUMENT, DO NOT MEASURE DRAWING					