



1

Locking systems

2

Locks  
Latches



3

Hinges



4

Clamps



5

Accessories



6

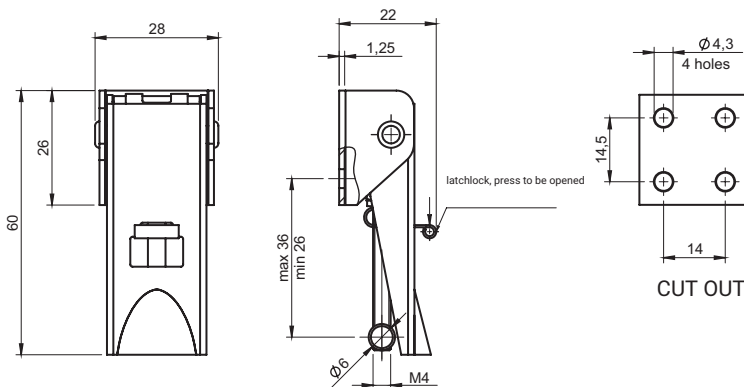
Gasketing profiles



7

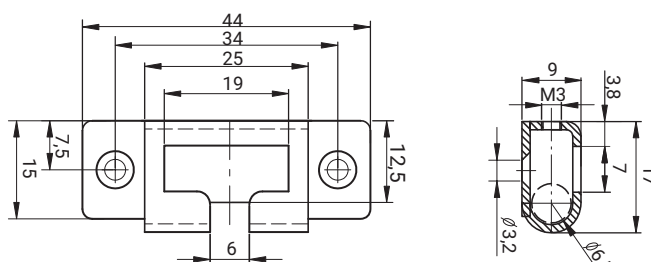
Custom products

stainless steel



Preferred catch:  
 - 3.ST200.001 (2B-1)  
 - 3.ST200.001SN (2B-1)  
 - 3.ST201UN.001 (2B-1)  
 - 3.ST201UN.001SN (2B-1)  
 Catch ordered separately

CATALOGUE NUMBER	MATERIAL
3.ST201.001	Steel zinc plated
3.ST201.001SN	Stainless steel



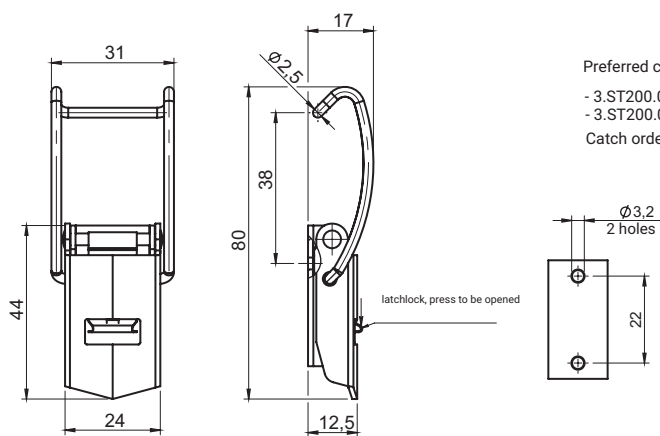
CATALOGUE NUMBER	MATERIAL
3.ST201UN.001	Steel zinc plated
3.ST201UN.001SN*	Stainless steel

stainless steel



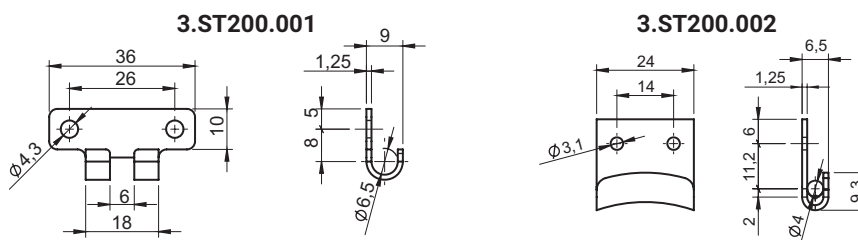
3.ST200.002

3.ST202.001



Preferred catch:  
 - 3.ST200.002 (2B-1)  
 - 3.ST200.002SN (2B-1)  
 Catch ordered separately

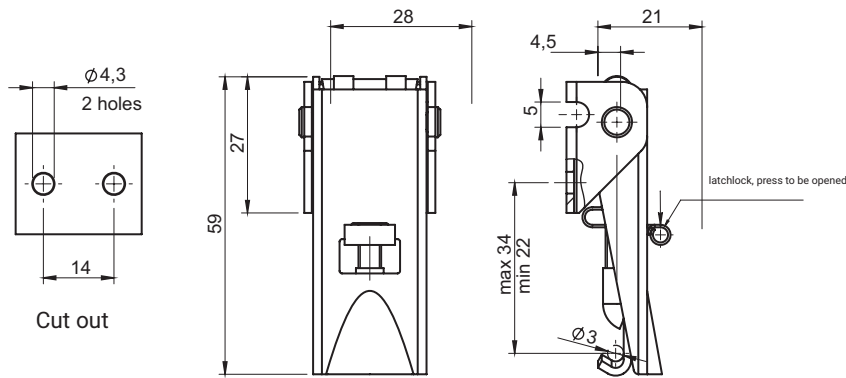
CATALOGUE NUMBER	MATERIAL
3.ST202.001	Steel zinc plated
3.ST202.001SN	Stainless steel



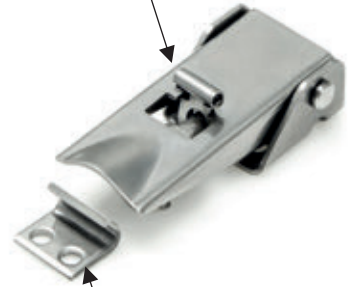
CATALOGUE NUMBER	MATERIAL
3.ST200.001	Steel zinc plated
3.ST200.001SN	Stainless steel
3.ST200.002*	Steel zinc plated
3.ST200.002SN*	Stainless steel

\* detail to be ordered separately

# Latch 3.ST204, 3.ST205 Catch 3.ST200



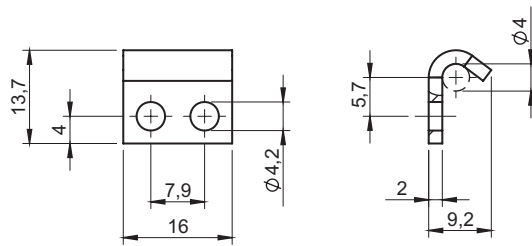
3.ST204.001



3.ST200.003

Preferred catch:  
- 3.ST200.003 (2B-2)  
- 3.ST200.003SN (2B-2)  
Catch ordered separately

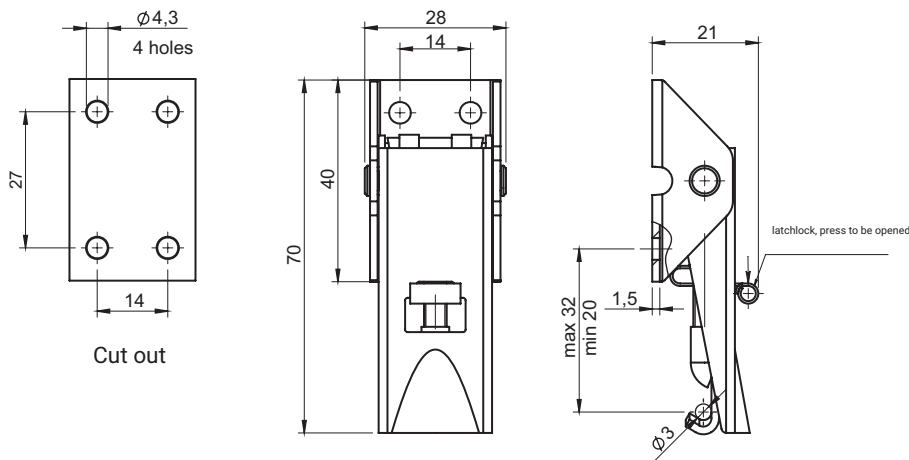
CATALOGUE NUMBER	MATERIAL
3.ST204.001	Steel zinc plated
3.ST204.001SN	Stainless steel



Catch can be used with:  
3.ST204.001  
3.ST204.001SN  
3.ST205.001  
3.ST205.001SN

CATALOGUE NUMBER	MATERIAL
3.ST200.003*	Steel zinc plated
3.ST200.003SN*	Stainless steel

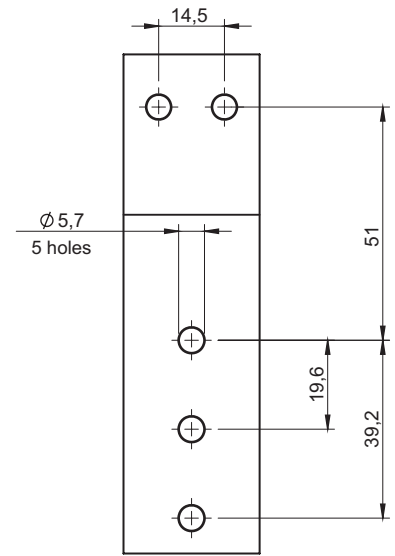
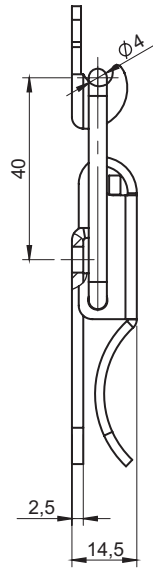
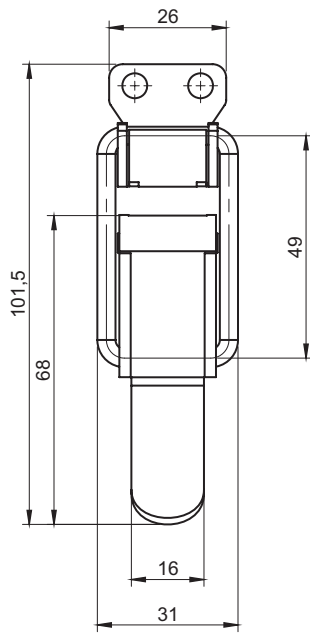
\* detail to be ordered separately



Preferred catch:  
- 3.ST200.003 (2B-2)  
- 3.ST200.003SN (2B-2)  
Catch ordered separately

CATALOGUE NUMBER	MATERIAL
3.ST205.001	Steel zinc plated
3.ST205.001SN	Stainless steel

stainless steel

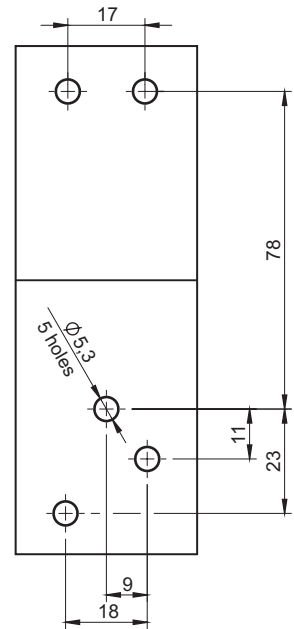
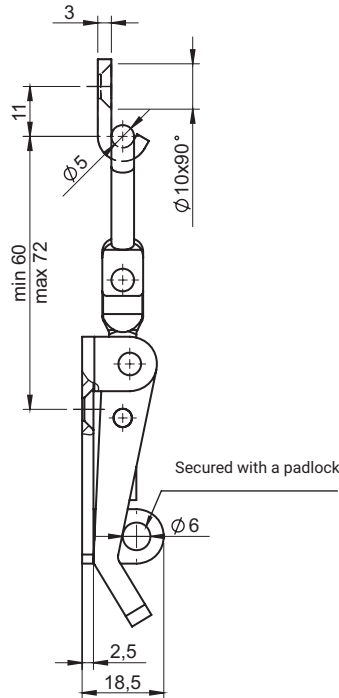
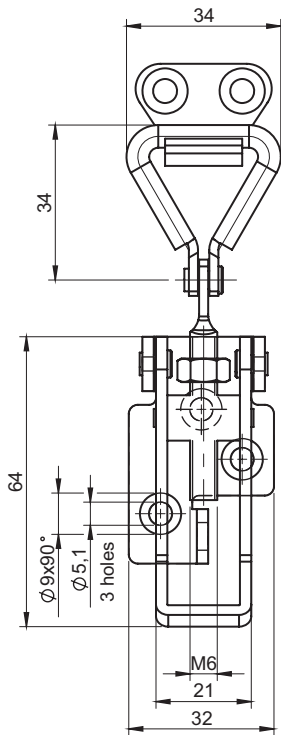


Cut out

Latch supplied with a catch

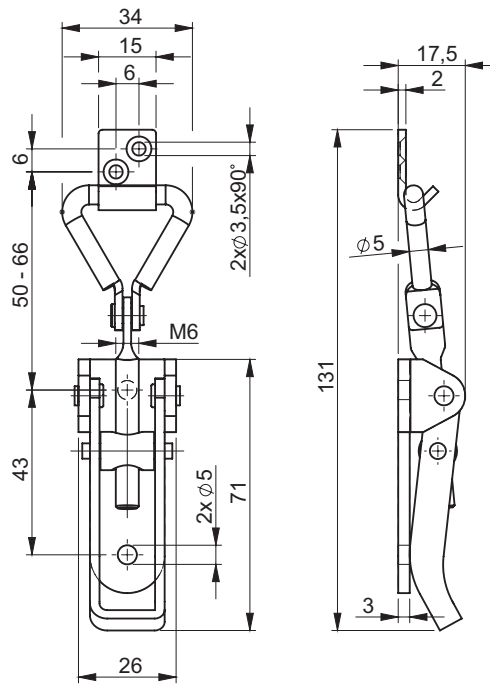
CATALOGUE NO.	MATERIAL
3.ST264.001	Stainless steel

stainless steel



Cut out

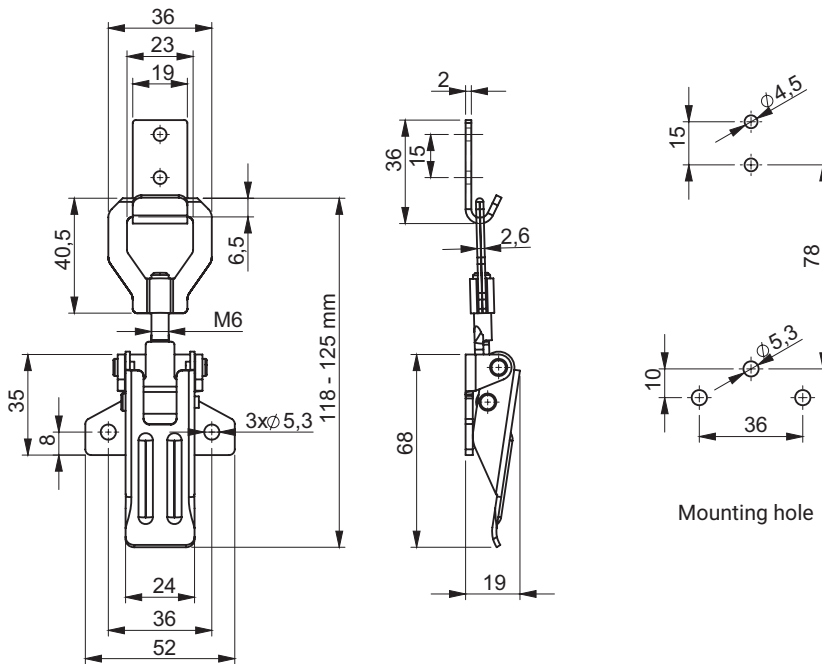
CATALOGUE NO.	DETAIL	MATERIAL
3.ST265.001SN	Latch secured with a padlock	Stainless steel



stainless steel



CATALOGUE NUMBER	MATERIAL
3.ST265.002	Steel zinc plated
3.ST265.002SN	Stainless steel

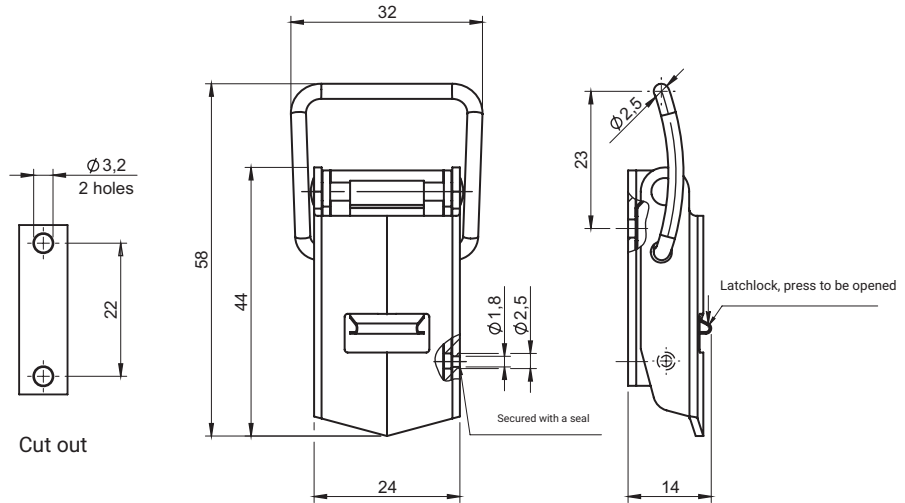


stainless steel



CATALOGUE NUMBER	MATERIAL
3.ST265.003	Steel zinc plated
3.ST265.003SN	Stainless steel

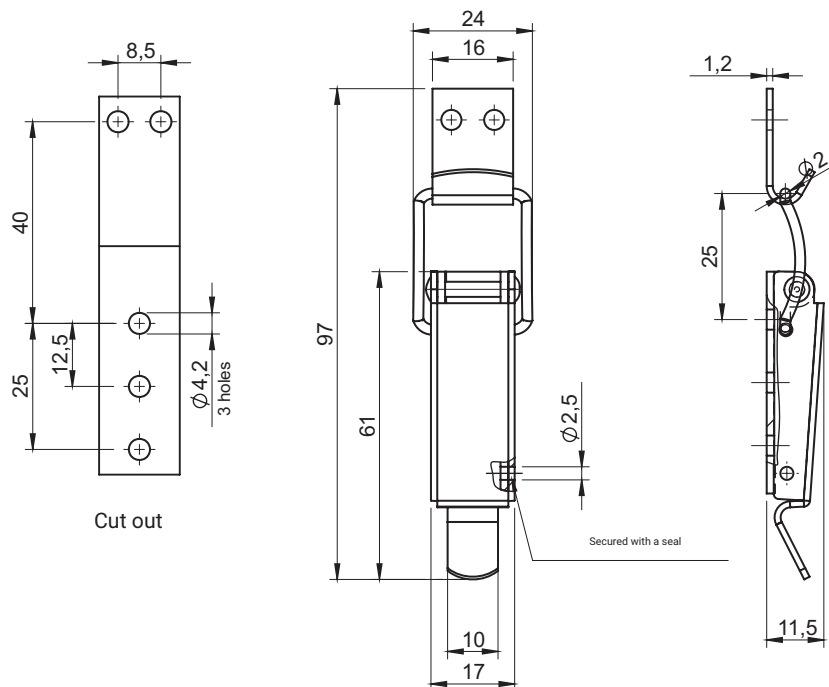
stainless steel



Preferred catch:  
 - 3.ST200.002 (2B-1)  
 - 3.ST200.002SN (2B-1)  
 Catch ordered separately

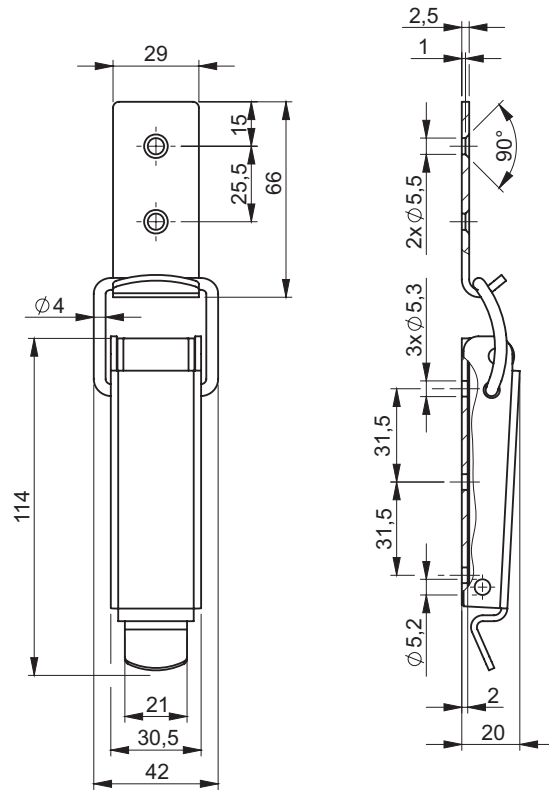
CATALOGUE NUMBER	MATERIAL
3.ST206.001*	Steel zinc plated
3.ST206.001SN*	Stainless steel

stainless steel

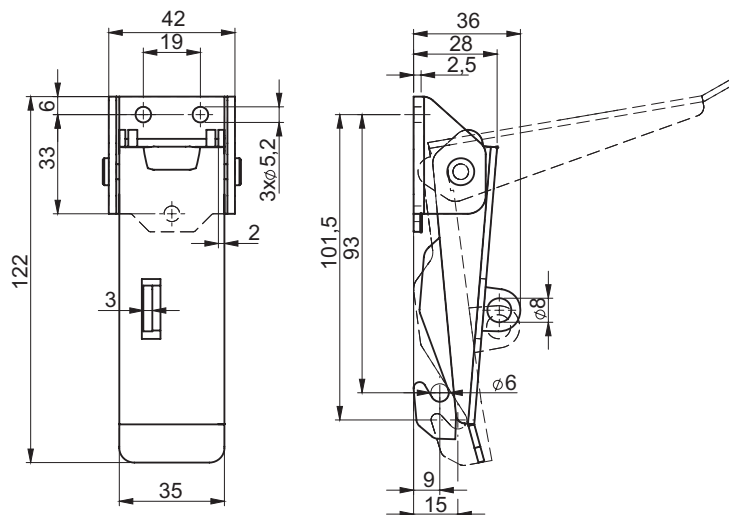


Latch supplied with a catch

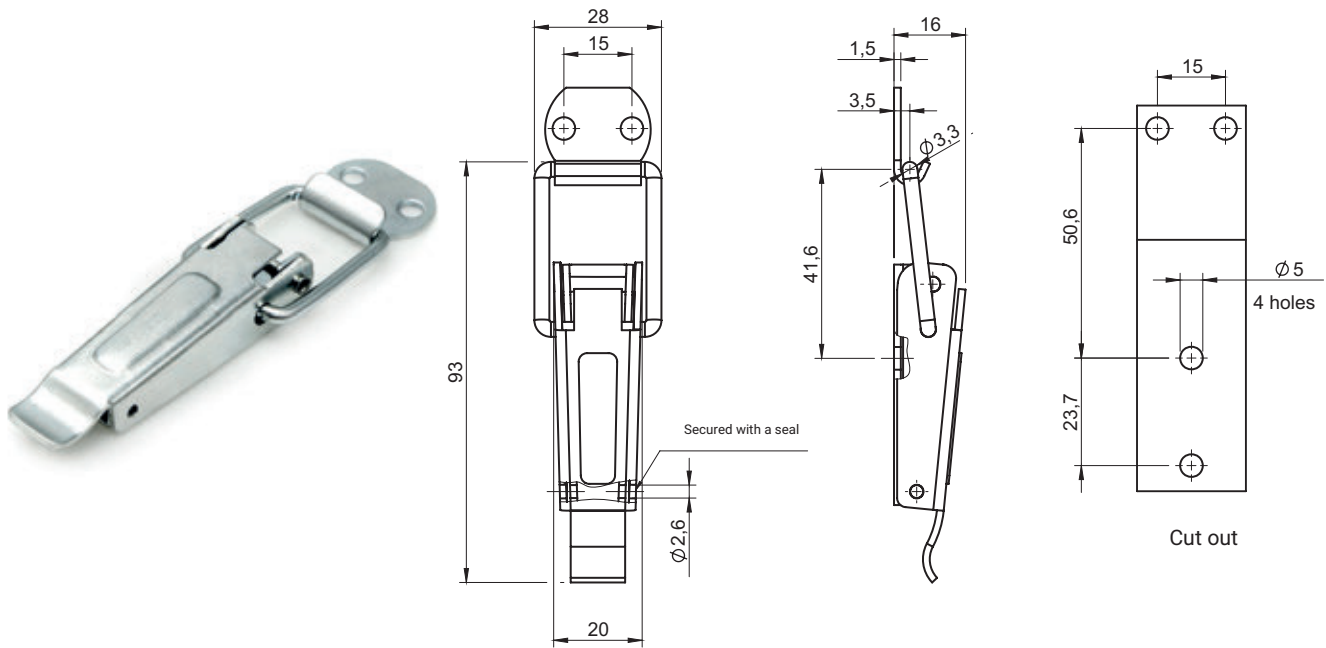
CATALOGUE NUMBER	MATERIAL
3.ST207.001	Steel zinc plated
3.ST207.001SN	Stainless steel



CATALOGUE NUMBER	MATERIAL
3.ST209.001	Steel zinc plated
3.ST209.001SN	Stainless steel

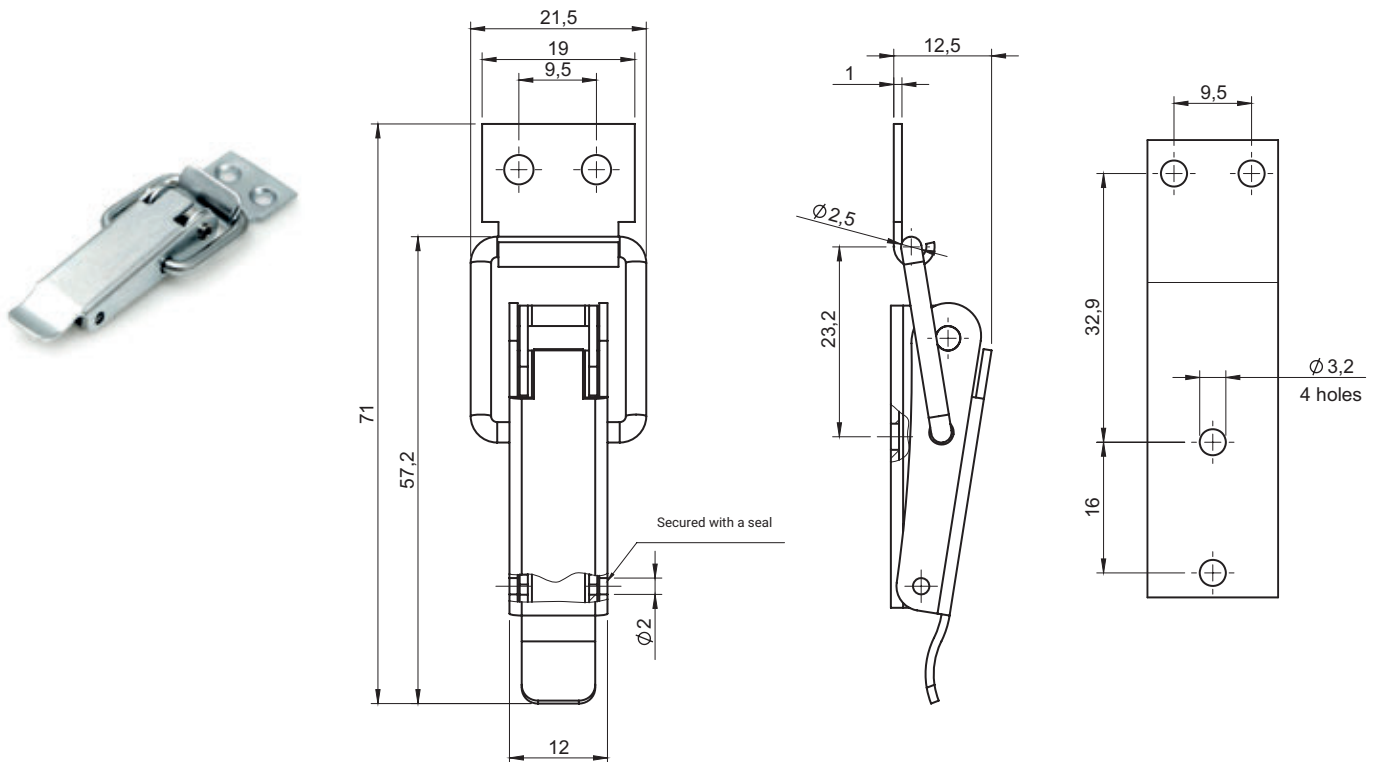


CATALOGUE NUMBER	MATERIAL
3.ST211.001	Steel zinc plated
3.ST211.001SN	Stainless steel



Latch supplied with a catch

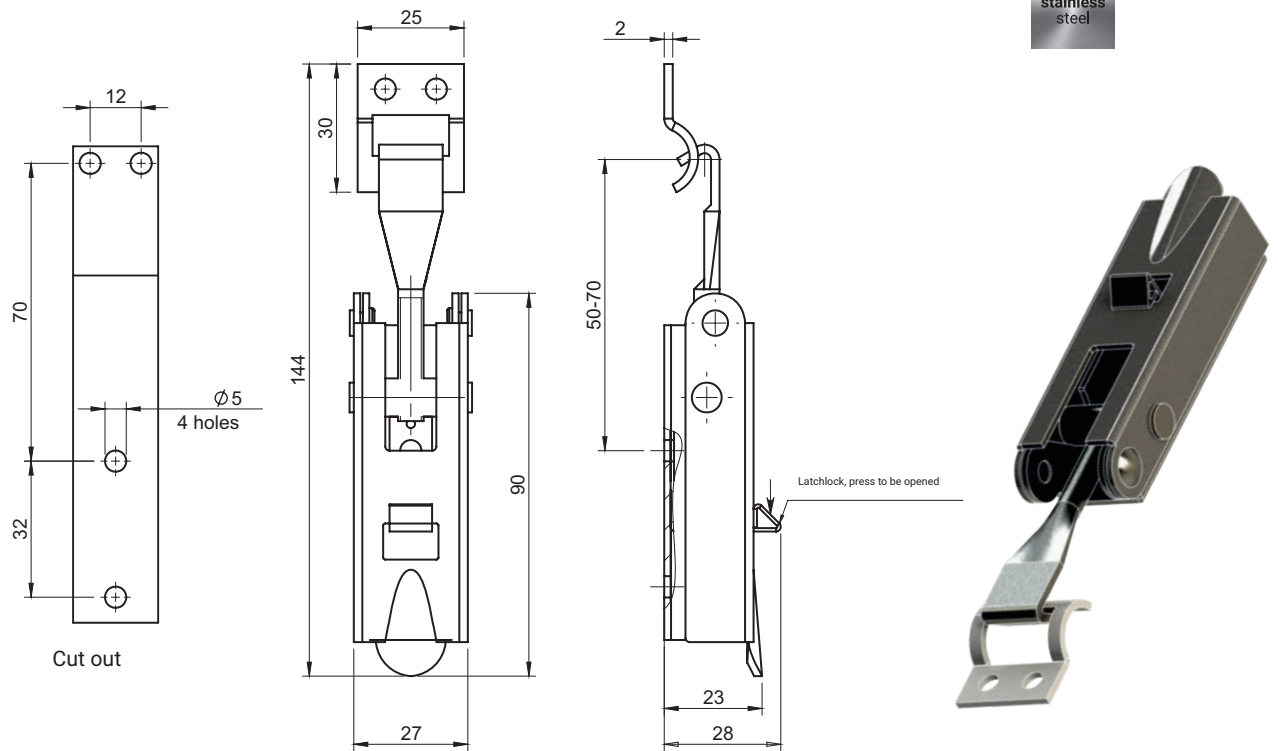
CATALOGUE NUMBER	MATERIAL
3.ST261.001	Steel zinc plated



Latch supplied with a catch

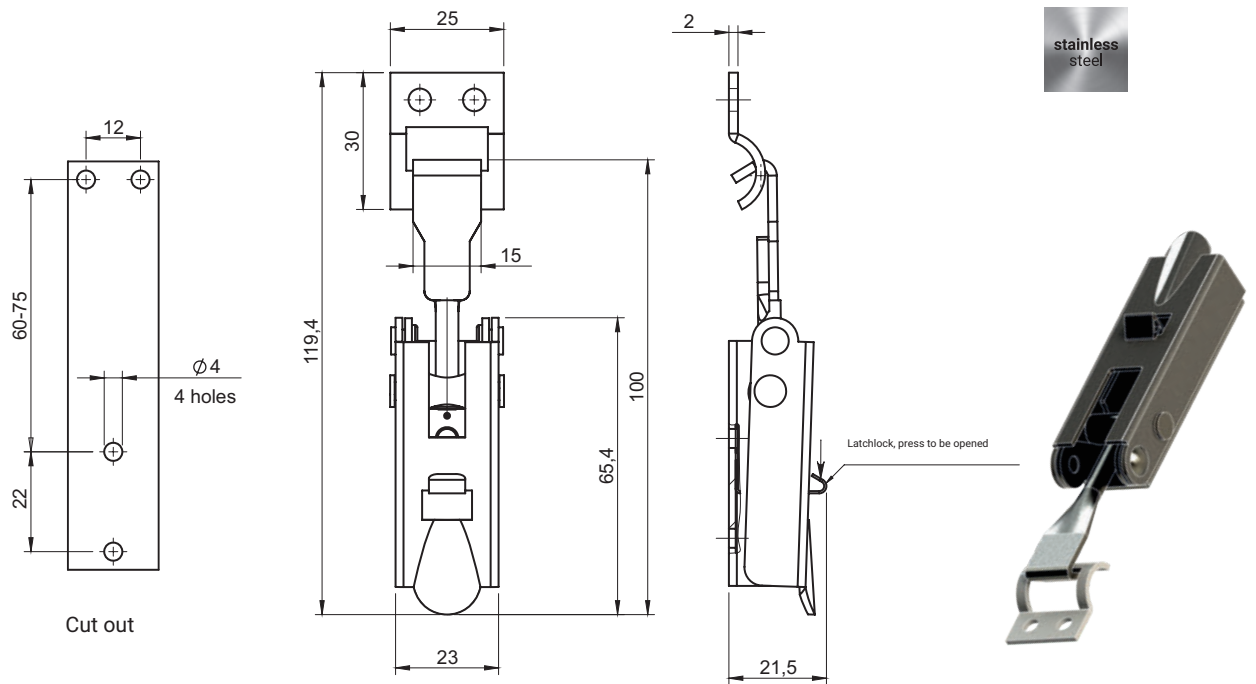
CATALOGUE NUMBER	MATERIAL
3.ST262.001	Steel zinc plated





Latch supplied with a catch

CATALOGUE NUMBER	MATERIAL
3.ST208.001	Steel zinc plated
3.ST208.001SN	Stainless steel



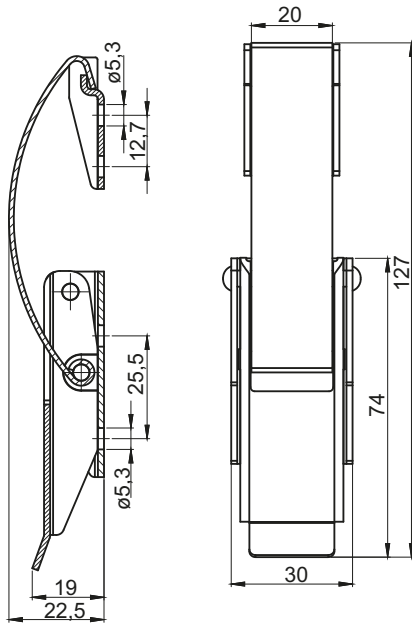
Latch supplied with a catch

CATALOGUE NUMBER	MATERIAL
3.ST210.001	Steel zinc plated
3.ST210.001SN	Stainless steel

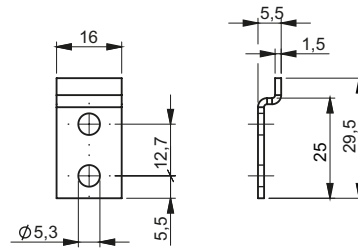
stainless steel



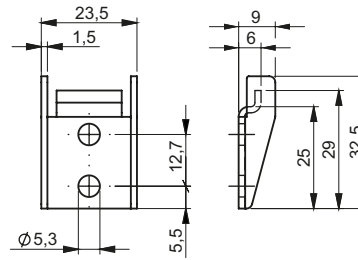
3.ST263.001



3.ST263.001.04A

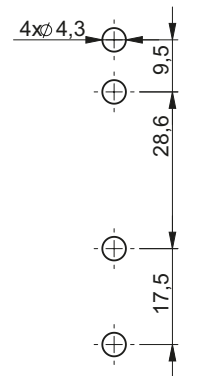
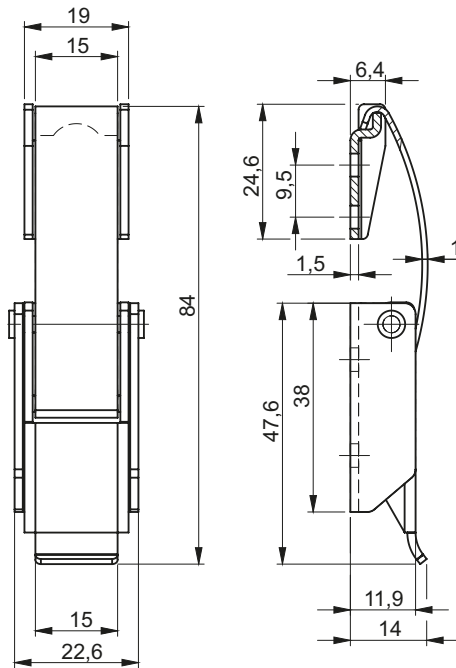


3.ST263.001.04B



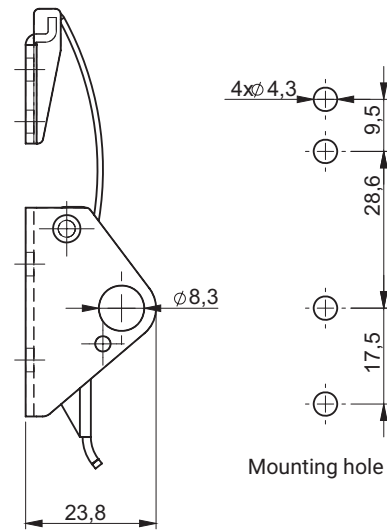
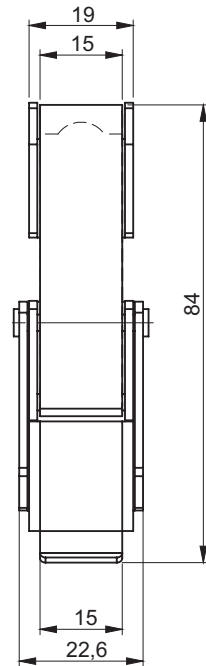
CATALOGUE NUMBER	MATERIAL	FINISH [C]
		RAL 9005
3.ST263.001	Steel zinc plated	04
3.ST263.001SN	Stainless steel	-
3.ST263.001.04A	Steel zinc plated	04
3.ST263.001.04B		
3.ST263.001.04ASN	Stainless steel	04
3.ST263.001.04BSN		

stainless steel

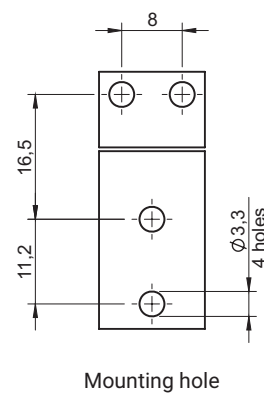
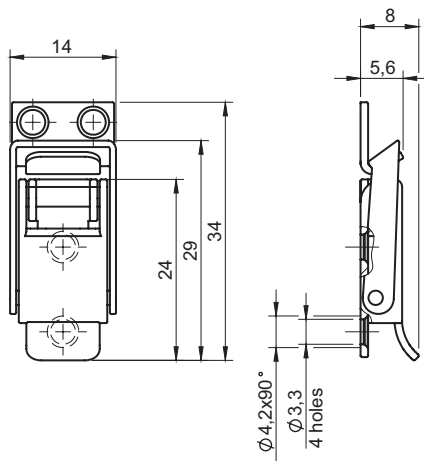


Mounting hole

CATALOGUE NUMBER	MATERIAL
3.ST263.100	Steel zinc plated
3.ST263.100SN	Stainless steel



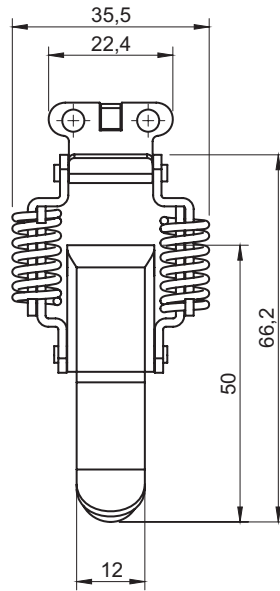
CATALOGUE NUMBER	DETAIL	MATERIAL
3.ST263.101	Latch secured with a padlock	Steel zinc plated
3.ST263.101SN		Stainless steel



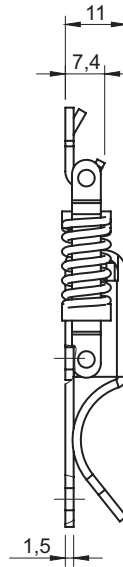
Latch supplied with a catch

CATALOGUE NUMBER	MATERIAL
3.561.001	Stainless steel

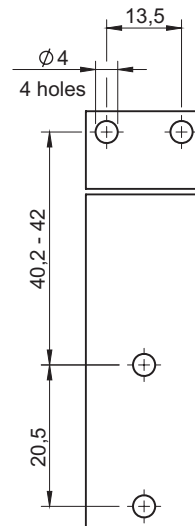
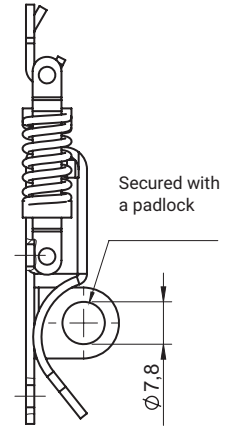
stainless steel



3.562.001



3.562.002



Mounting hole

Latch supplied with a catch

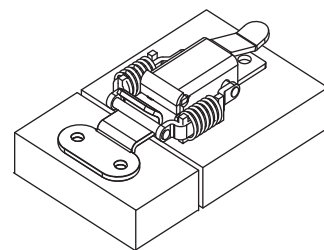
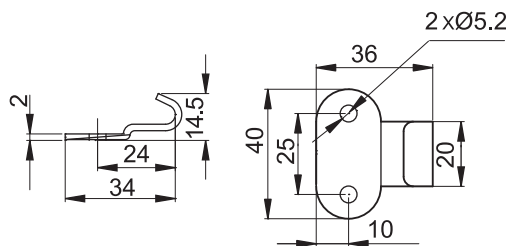
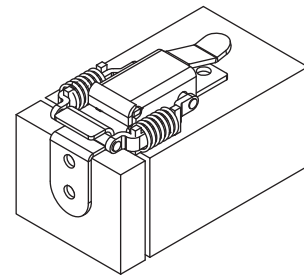
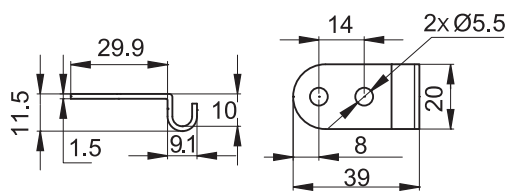
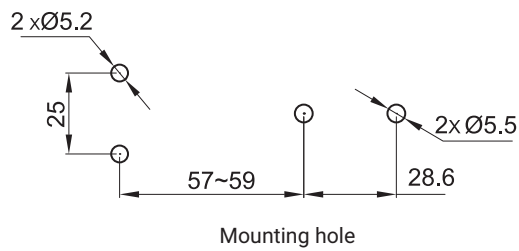
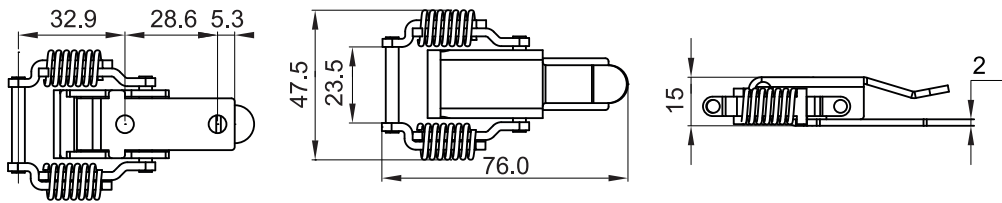
CATALOGUE NUMBER	MATERIAL
3.562.001	Stainless steel
3.562.002	Stainless steel



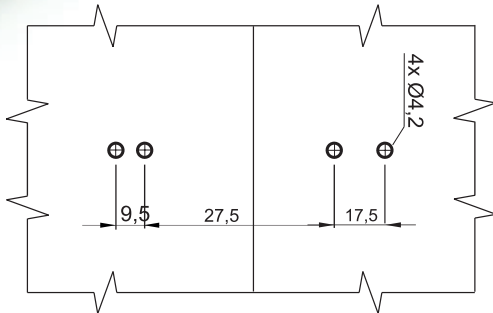
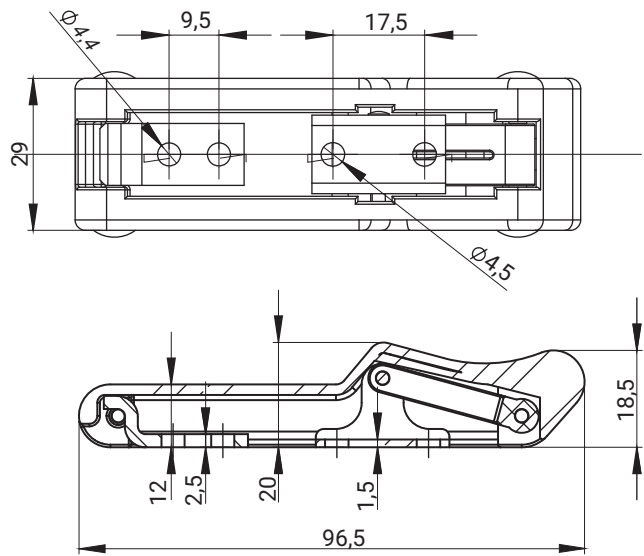
3.563.001

3.563.001A

3.563.001B

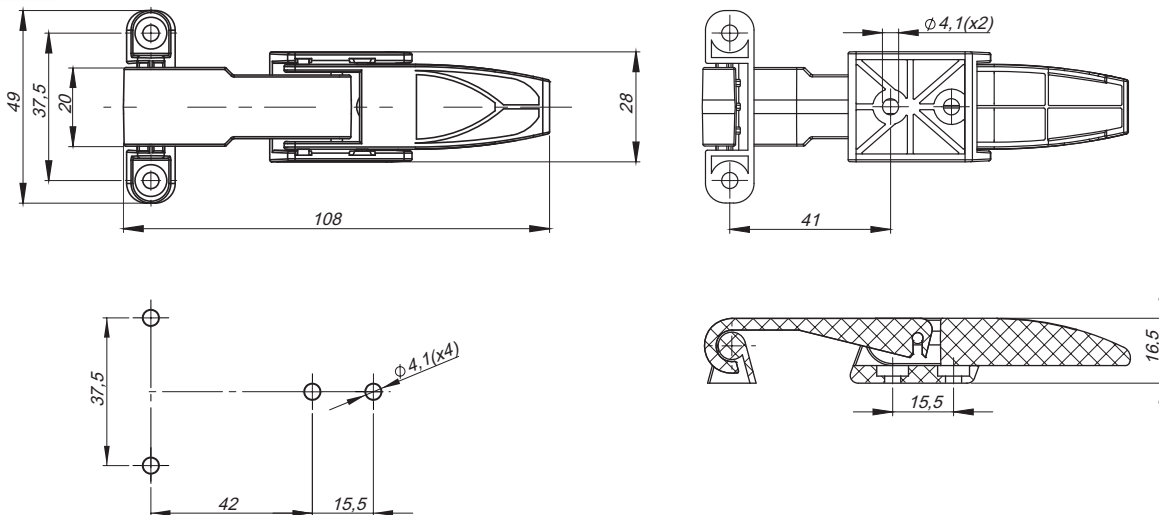


CATALOGUE NUMBER	MATERIAL
3.563.001	Stainless steel



Mounting hole

CATALOGUE NUMBER	MATERIAL	FINISH [C]	
		4.490.001	Plastic - elastomer



Mounting hole

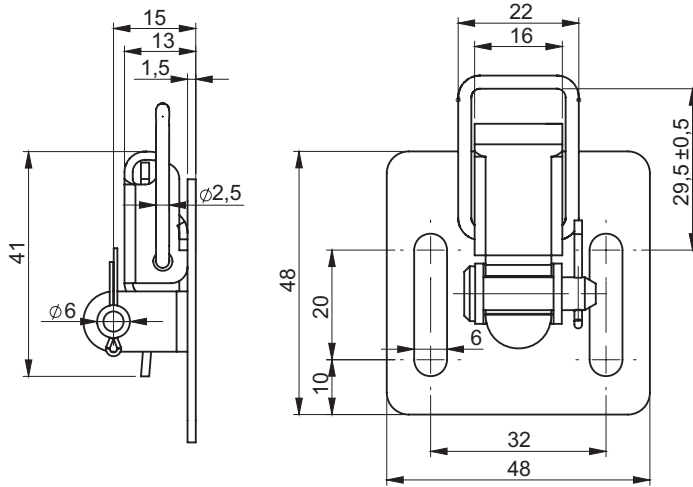
CATALOGUE NUMBER	MATERIAL	FINISH [C]	
		4.491.001	PP
		07	08

How to order :

Catalogue number  
Finish

4.491.001 - C

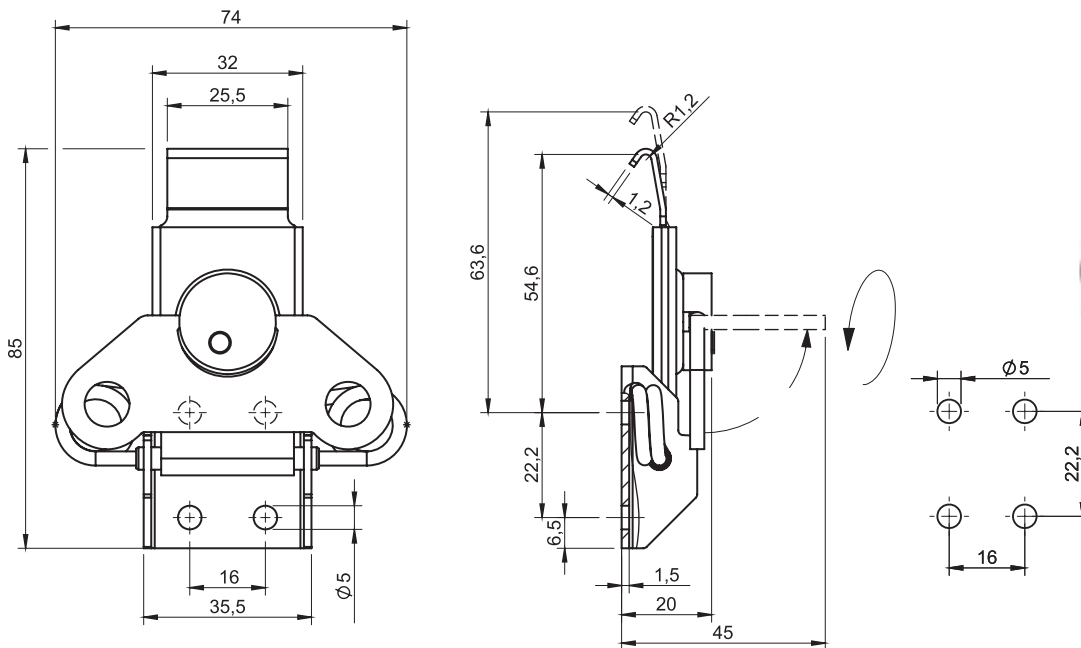
stainless steel



Latch with protection against unwanted opening.  
 Latch compatible with a catch 3.ST200.003SN - ordered separately.

CATALOGUE NUMBER	MATERIAL
3.ST264.002	Steel zinc plated
3.ST264.002SN	Stainless steel

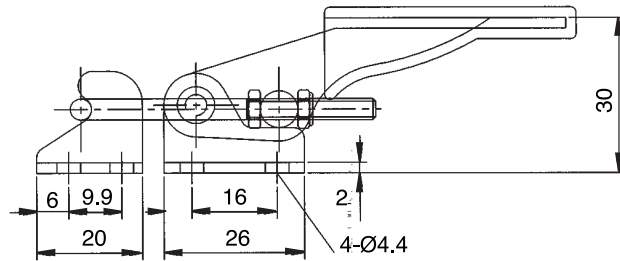
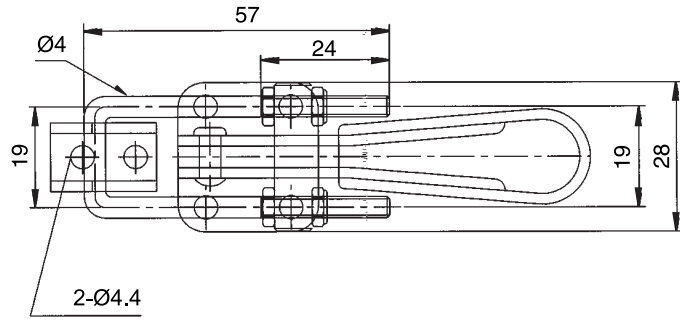
stainless steel



Latch opens by lifting the knob and turning counterclockwise.

CATALOGUE NUMBER	MATERIAL
3.ST267.001SN	Stainless steel

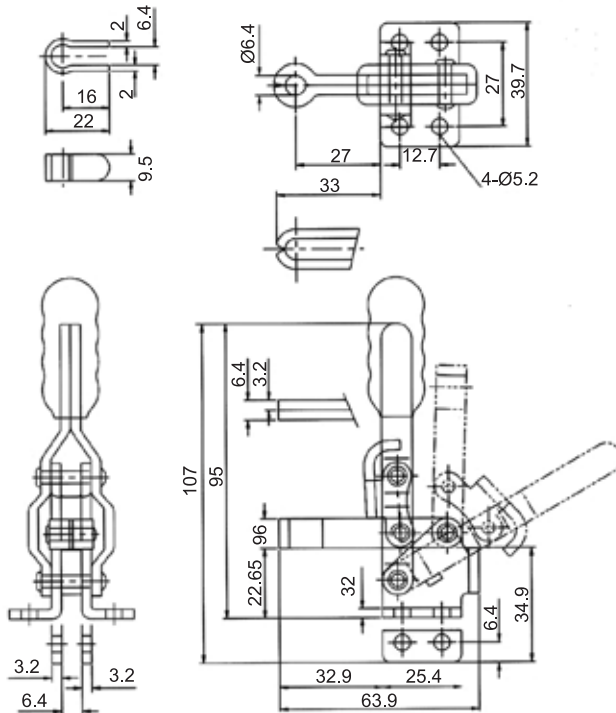
stainless steel



Note: Maximum load 160kg

CATALOGUE NUMBER	MATERIAL
3.565.001	Stainless steel

stainless steel



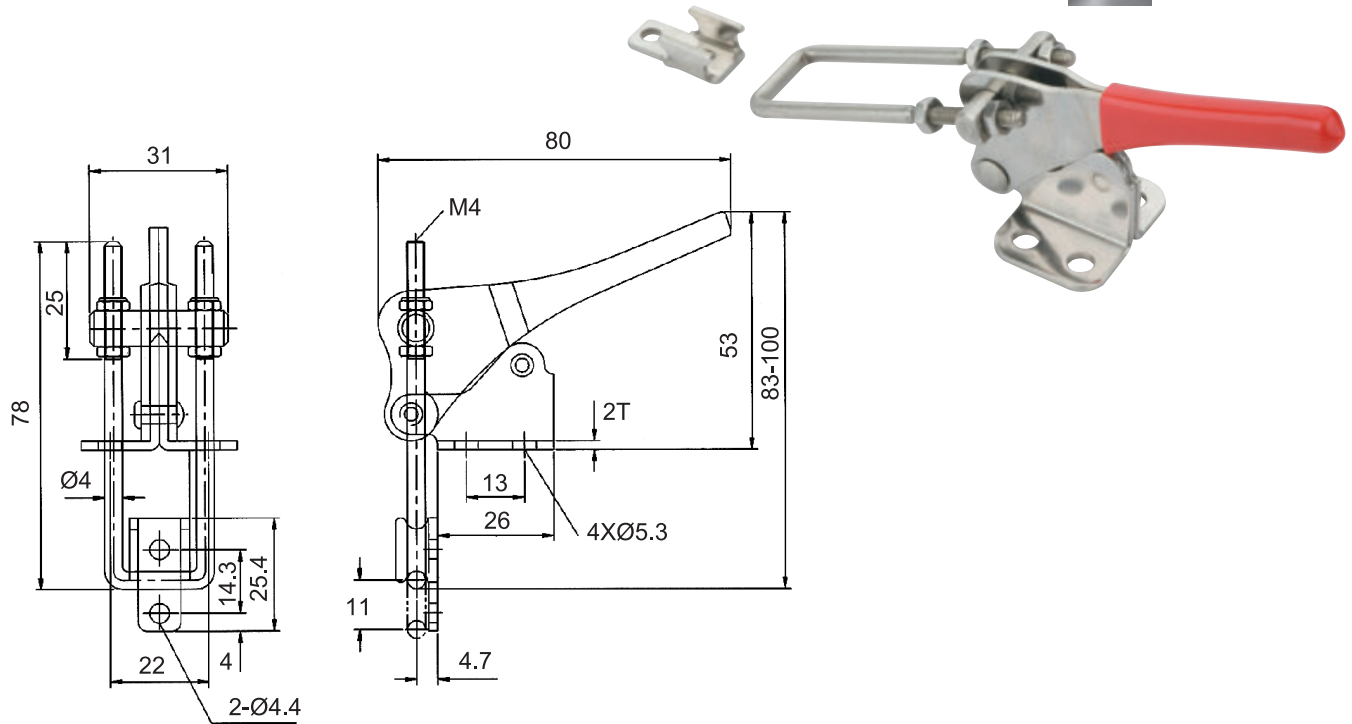
Note: Maximum load 95kg

CATALOGUE NUMBER	MATERIAL
3.566.001	Stainless steel



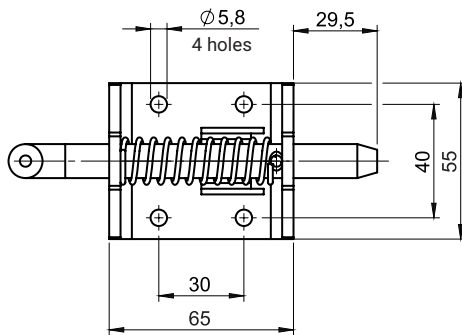
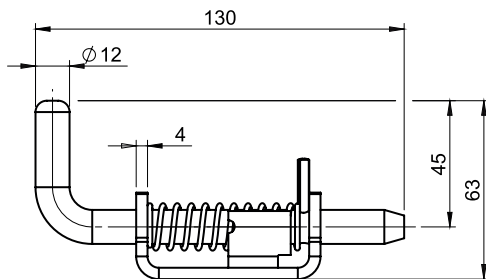
# Latch 3.567 Bolt 4.700

stainless steel

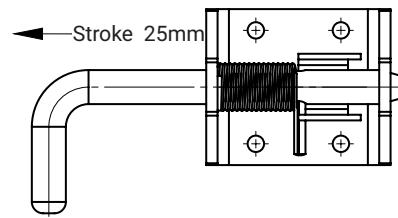


Note: Maximum load 225kg

CATALOGUE NUMBER	MATERIAL
3.567.001	Stainless steel



Locked Position



Open Position



CATALOGUE NUMBER	COMPONENTS	MATERIAL
4.700.001	Base Mount, Locking Pin	Steel zinc plated
	Spring	Stainless steel
4.700.001SN	Base Mount, Locking Pin	Stainless steel

