

## 2J4702B-TH19

2.4/5.0 GHz ISM Screw Mount

### Key Features

#### 2.4/5.0 GHz ISM

- 2410-2490 MHz
- 4920-5925 MHz

Screw Mount

Low Profile

Ground Plane Dependent

Customizable Cable and Connector

Dimensions  $\varnothing 52 \times 17.5$  mm

Certificates: IP65, IP69K



**Note:** 19mm Thread is Default Option. See Drawing for other Thread Options available.



## 1. Antenna and electrical specifications

Parameters	2.4/5.0 GHz ISM Antenna	
<b>Standards</b>	WiFi, BT, ZigBee, ISM	
<b>Band (MHz)</b>	2.4 GHz	5.0 GHz
<b>Frequency (MHz)</b>	2410-2490	4920-5925
<b>Return Loss (dB)</b>	~-12.5	~-12.3
<b>VSWR</b>	~1.6:1	~1.7:1
<b>Efficiency (%)</b>	~28	~28
<b>Peak Gain (dBi)</b>	~2.2	~1.5
<b>Average Gain (dB)</b>	~-5.7	~-5.3
<b>Impedance (Ohm)</b>	50	
<b>Polarisation</b>	Linear	
<b>Radiation Pattern</b>	Omni-Directional	
<b>Max. Input Power (W)</b>	25	
<b>Connector Type</b>	Most RF Connectors (SMA-Male Standard)	
<b>Cable Length</b>	Any Cable Length (300cm Standard)	
<b>Cable Type</b>	Other Cables Available (RG174 Standard)	

### Antenna Measurement Conditions:

Mounted on 30 x 30 cm Metal Plate

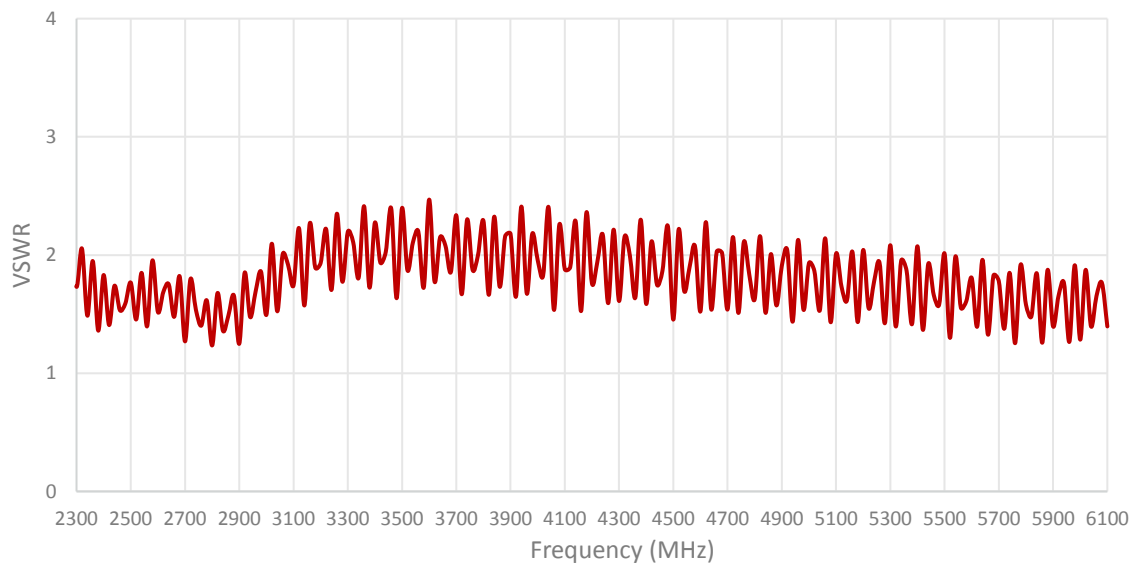
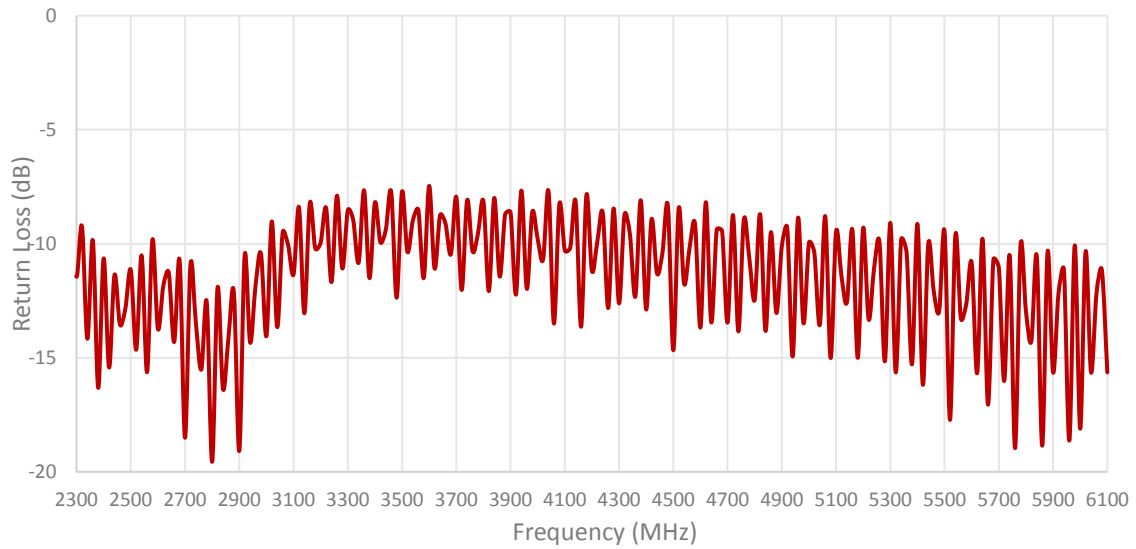
200 cm of RG174 Cable

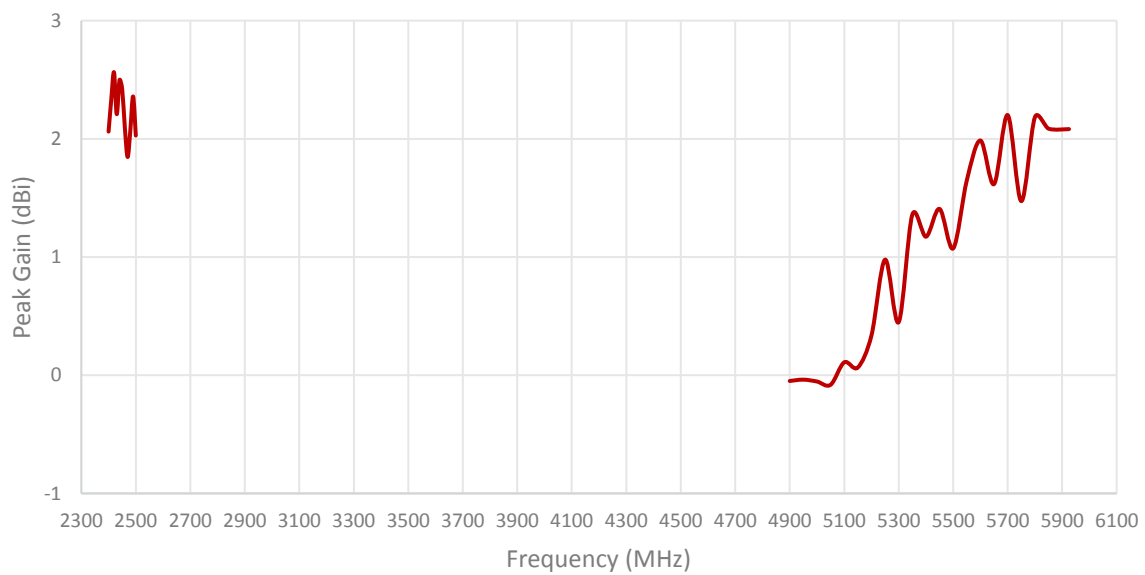
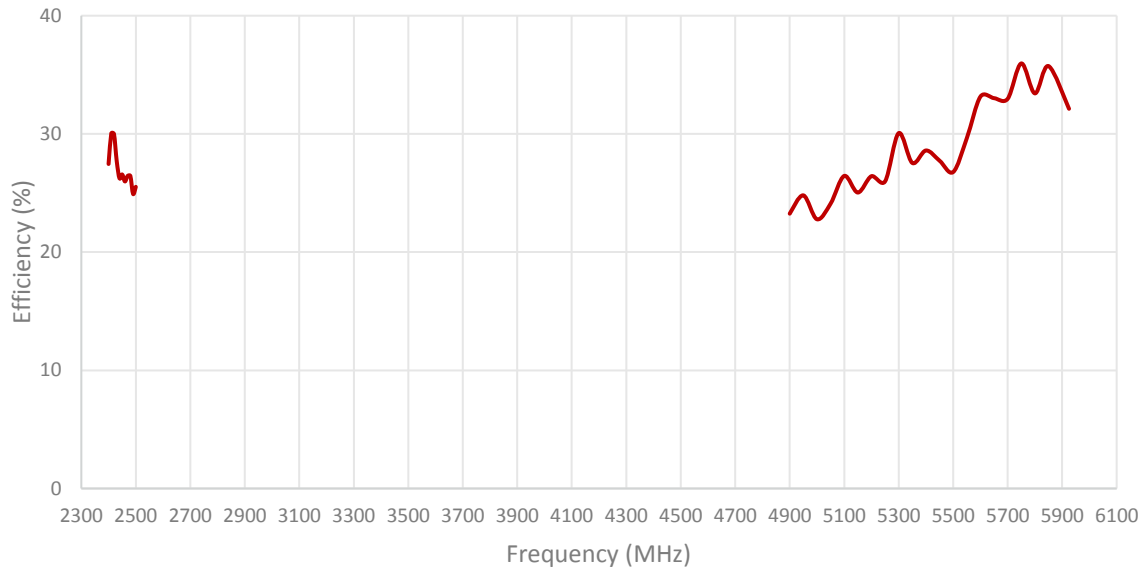
Measured in Certified CTIA 3D Anechoic Chamber

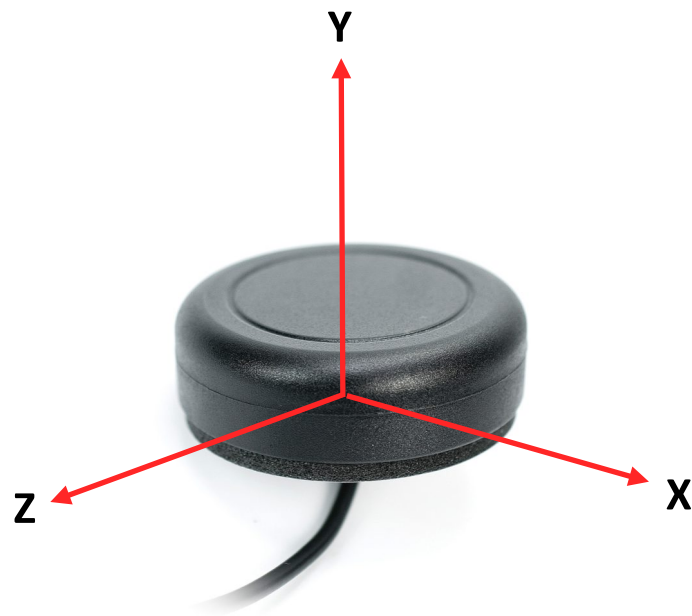
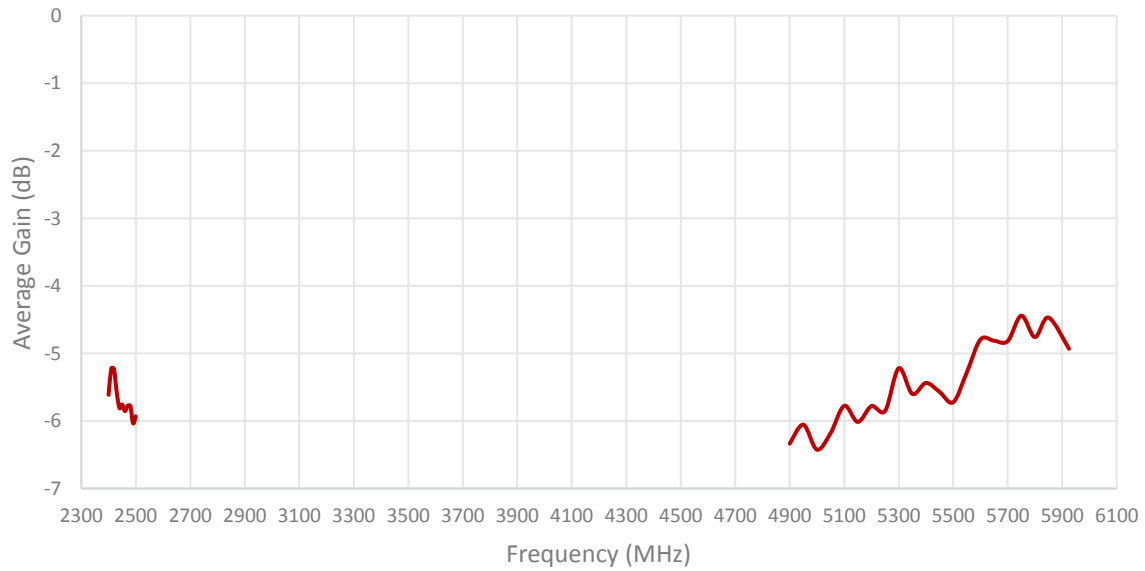
## 2. Mechanical and environmental specifications

Specifications	2J4702B-TH19
<b>Mounting Type</b>	Screw Mount
<b>Dimensions (mm)</b>	Ø 52 × 17.5
<b>Radome</b>	ASA
<b>Radome color</b>	Black
<b>Operating Temperature (C)</b>	-40 to +85
<b>Storage Temperature (C)</b>	-40 to +85
<b>Substance Compliance</b>	RoHS
<b>Certificates</b>	IP65, IP69K

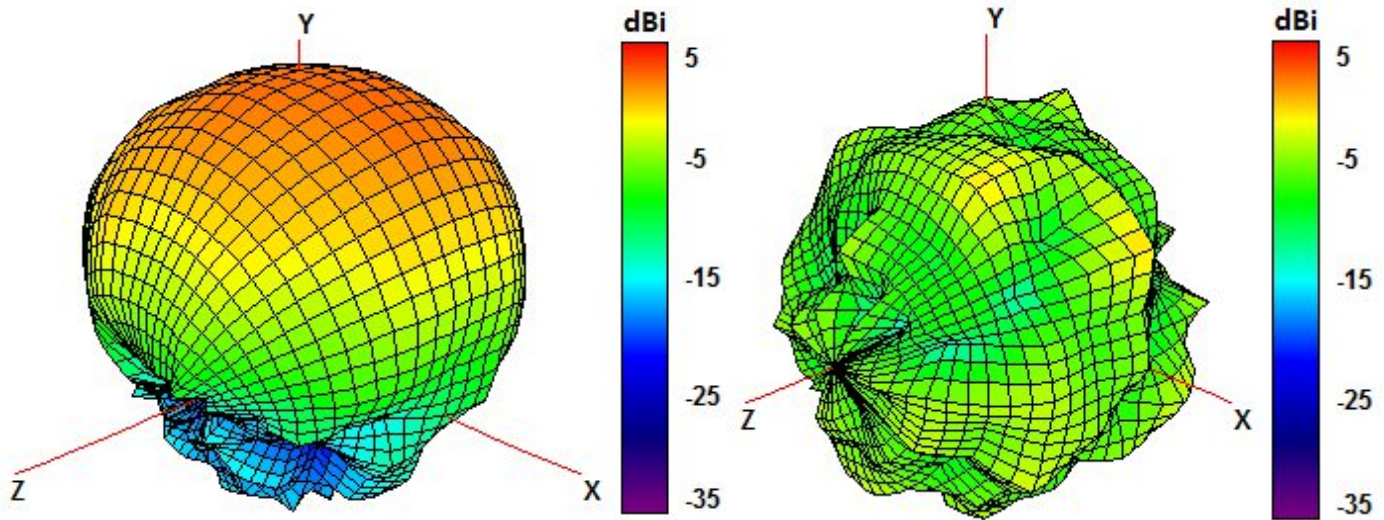
### 3. Antenna parameters







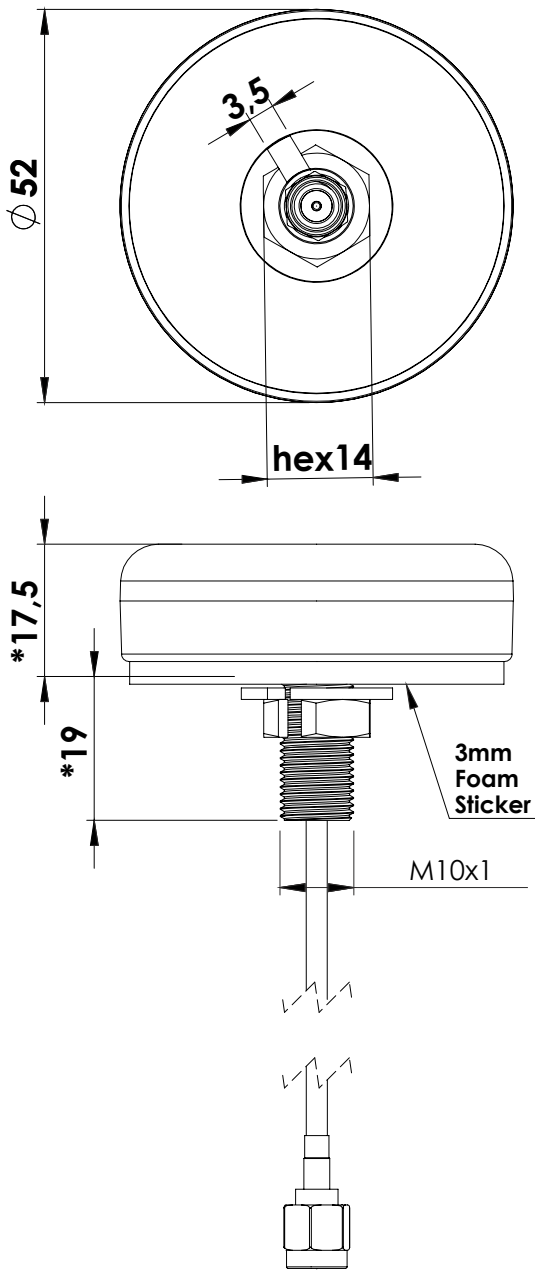
Radiation pattern reference



2450 and 5500 MHz Radiation pattern

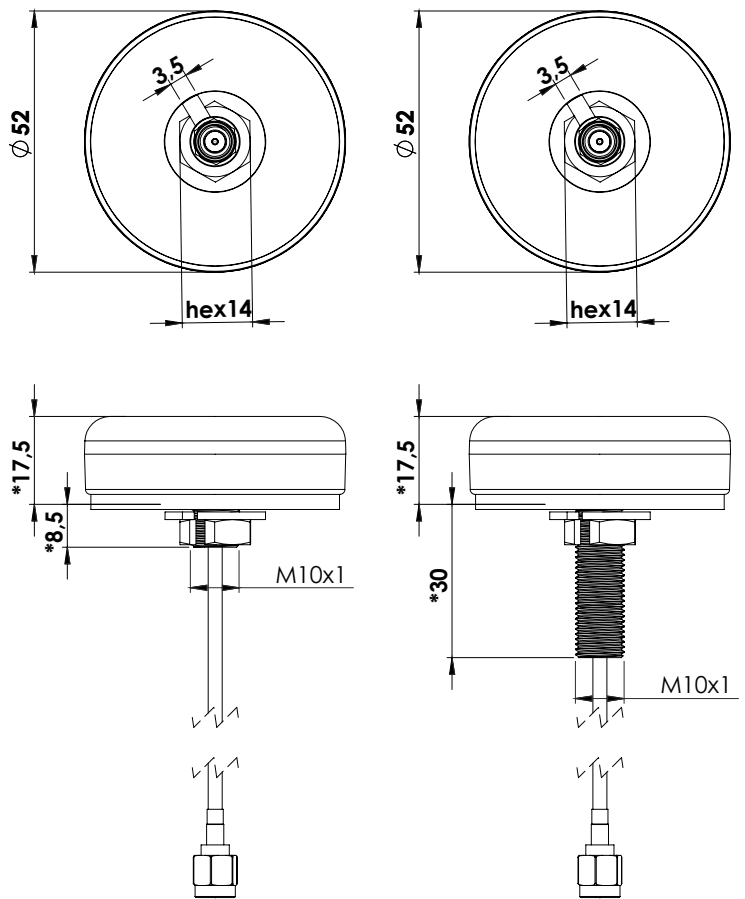
## 4. Antenna drawings

### Default Thread Option



**2J4702B-TH19**  
19 mm Thread  
Default Option

### Other Thread Options available



**2J4702B-TH8,5**  
8,5 mm Thread

**2J4702B-TH30**  
30 mm Thread

**\*Dimensions after mounting**



## 5. Antenna Images

