

2J2115K-868-B07H

868 MHz ISM Wall Mount

Key Features

868 MHz ISM

- 863-870 MHz

Wall Mount

High Performance

Ground Plane Independent

Customizable Cable and Connector

Dimensions 271 × 30 × 115 (219 × Ø 16) mm



1. Antenna and electrical specifications

Parameters	868 MHz ISM Antenna
Standards	ZigBee, ISM, SIGFOX, LoRa
Band (MHz)	868 MHz
Frequency (MHz)	863-870
Return Loss (dB)	~-13.6
VSWR	~1.5:1
Efficiency (%)	~65.2
Peak Gain (dBi)	~3.2
Average Gain (dB)	~-1.9
Impedance (Ohm)	50
Polarisation	Linear
Radiation Pattern	Omni-Directional
Max. Input Power (W)	25
Connector Type	Most RF Connectors (SMA-Male Standard)
Cable Length	Any Cable Length (300cm Standard)
Cable Type	Other Cables Available (RG58 Standard)

Antenna Measurement Conditions:

Free Space

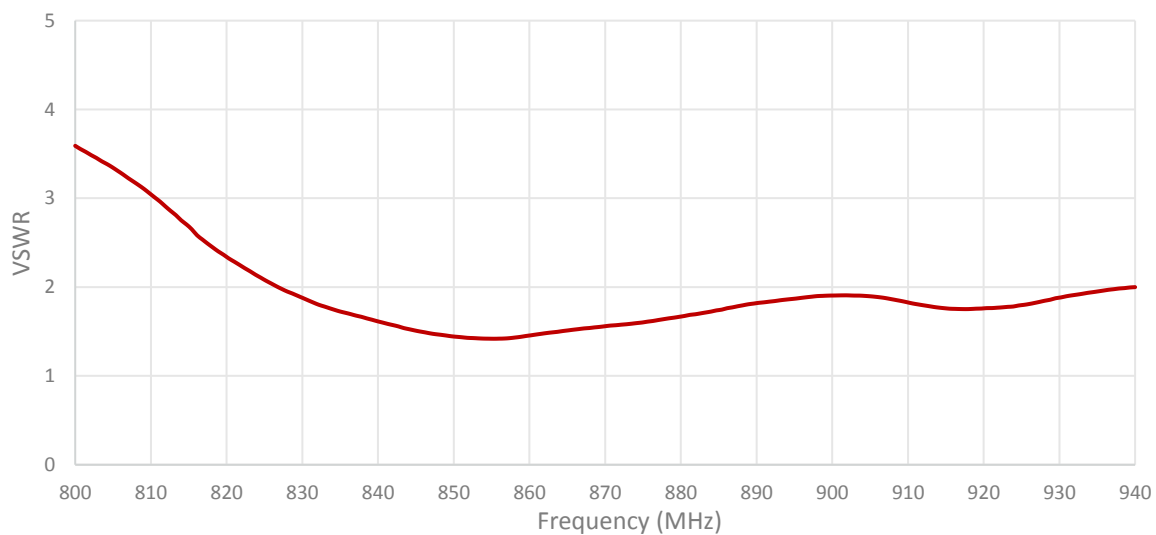
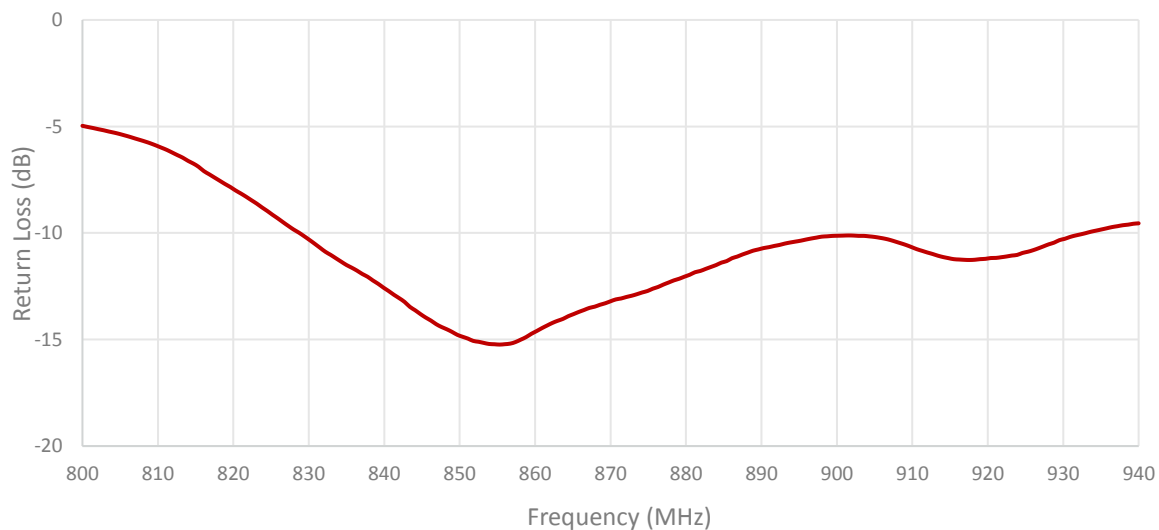
200 cm RG58 Cable

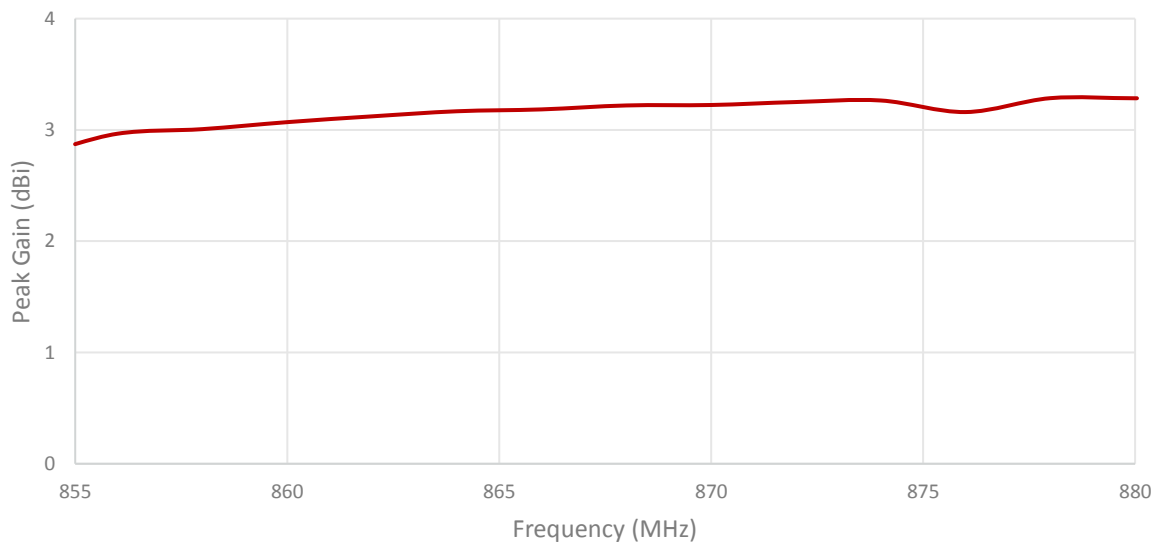
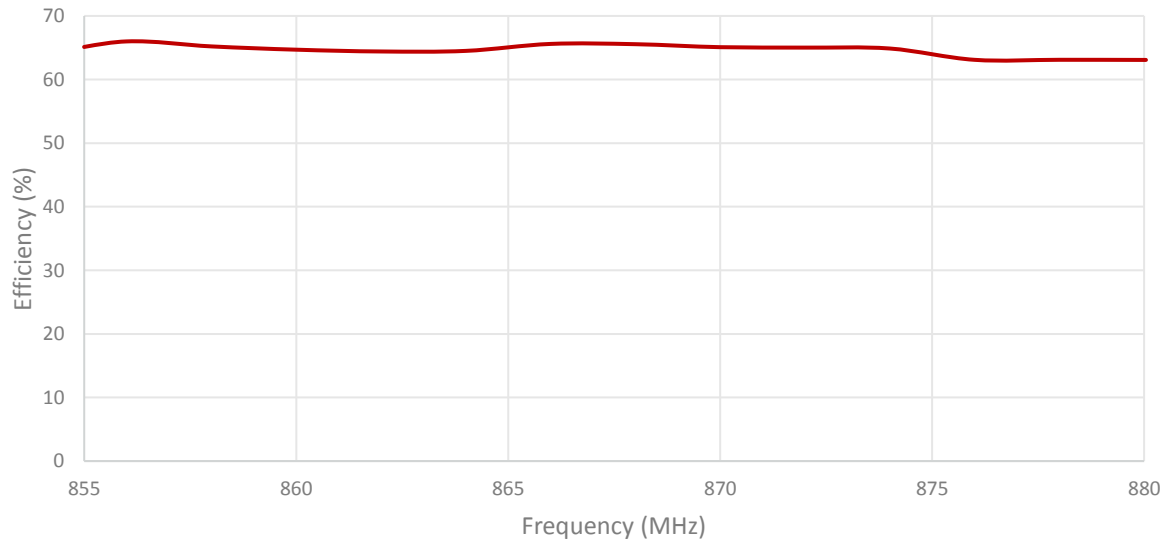
Measured in Certified CTIA 3D Anechoic Chamber

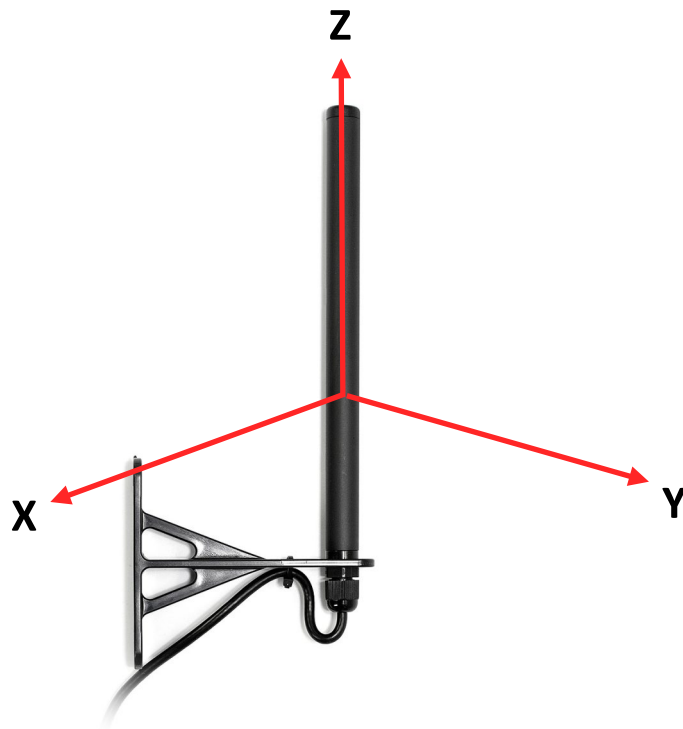
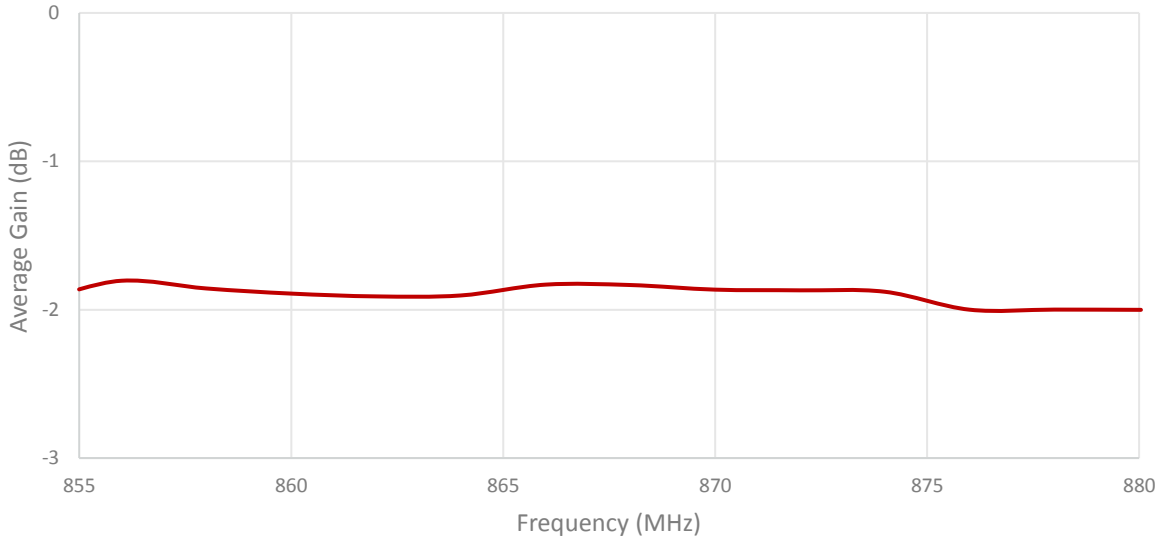
2. Mechanical and environmental specifications

Specifications	2J2115K-868-B07H
Mounting Type	Wall Mount
Dimensions (mm)	271 × 30 × 115 (219 × Ø 16)
Radome	PC/ABS UV Stable
Radome color	Black
Bracket	PC/ABS UV Stable
Operating Temperature (C)	-40 to +85
Storage Temperature (C)	-40 to +85
Substance Compliance	RoHS

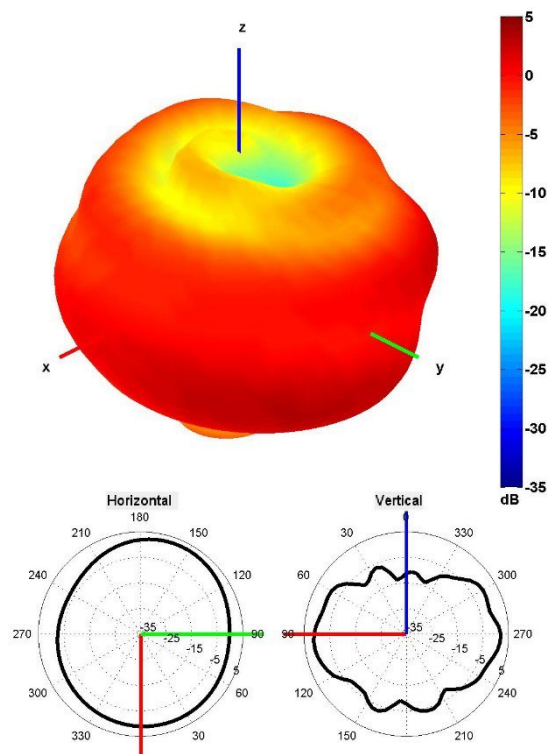
3. Antenna parameters





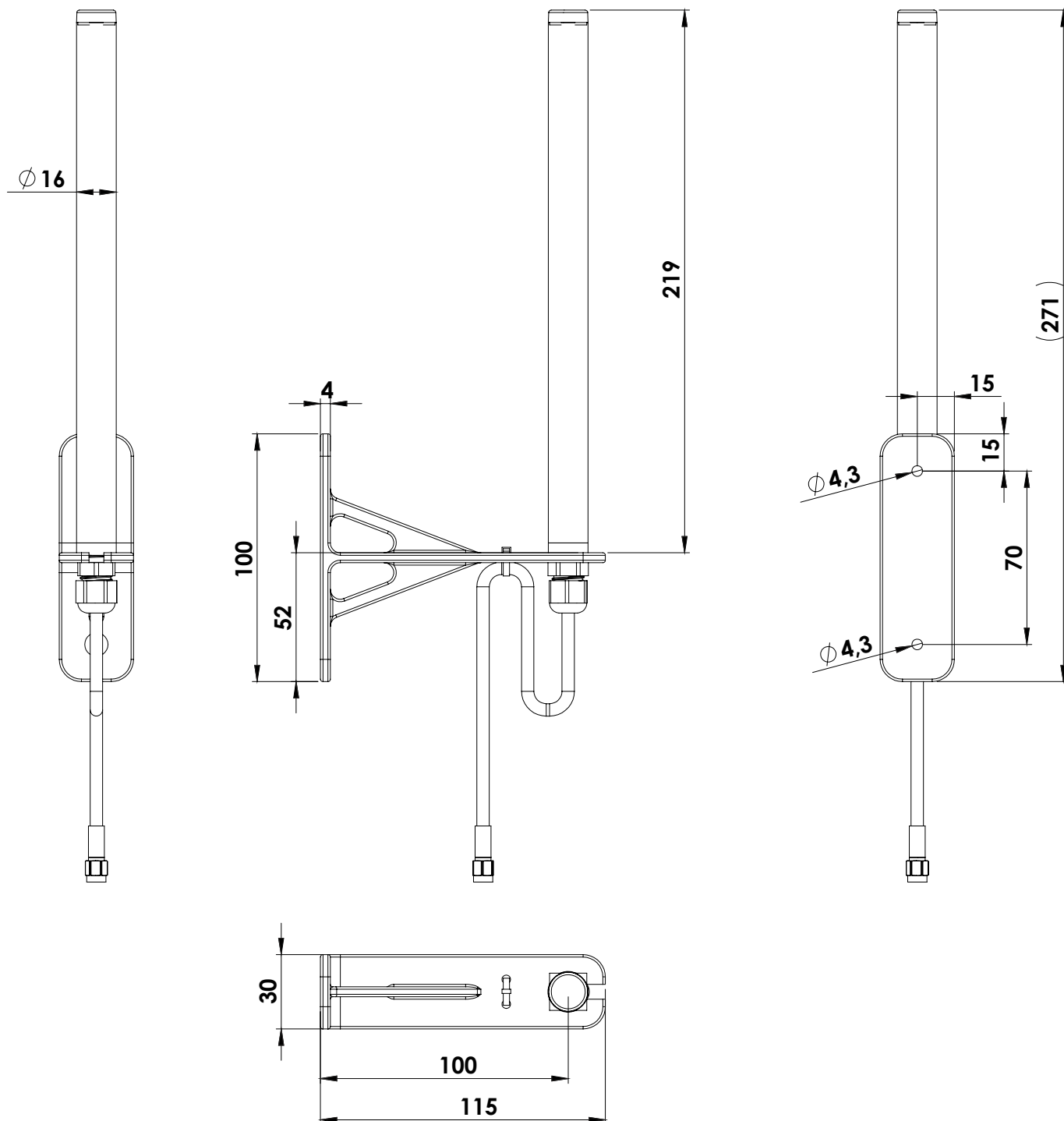


Radiation pattern reference



868 MHz Radiation pattern

4. Antenna drawings



5. Antenna Images

