



Half e-tubes | 2450 snap-open along inner radius from both sides, closed along outer radius

Full e-tubes | 2480 snap-open along inner radius from both sides, fully enclosed

Half e-tubes snap-open along the inner radius	Full e-tubes snap-open along the inner radius	<i>Bi</i> [mm]	<i>Ba</i> [mm]	<i>R</i> Bend radii [mm]	2450 [kg/m]	2480 [kg/m]
2450. 02 . <i>R</i> .0	2480. 02 . <i>R</i> .0	25	41	055*   075   100   125   150   175   200   225   250	≈ 0,80	≈ 0,82
2450. 03 . <i>R</i> .0	2480. 03 . <i>R</i> .0	38	54	055*   075   100   125   150   175   200   225   250	≈ 0,88	≈ 0,92
2450. 05 . <i>R</i> .0	2480. 05 . <i>R</i> .0	57	73	055*   075   100   125   150   175   200   225   250	≈ 0,99	≈ 1,03
2450. 07 . <i>R</i> .0	2480. 07 . <i>R</i> .0	77	93	055*   075   100   125   150   175   200   225   250	≈ 1,12	≈ 1,17
2450. 09 . <i>R</i> .0	2480. 09 . <i>R</i> .0	89	105	055*   075   100   125   150   175   200   225   250	≈ 1,20	≈ 1,26
2450. 10 . <i>R</i> .0	2480. 10 . <i>R</i> .0	103	119	055*   075   100   125   150   175   200   225   250	≈ 1,27	≈ 1,34
2450. 12 . <i>R</i> .0	2480. 12 . <i>R</i> .0	125	141	055*   075   100   125   150   175   200   225   250	≈ 1,35	≈ 1,43

\*Radius available upon request, please consult igus® for delivery time

Radii 055: the e-tube is not completely enclosed. Please consult igus®

Supplement Part No. with required radius (*R*). Example: 2450.03.100.0

### Open e-chains® in a flash with the igus® e-chain® opener

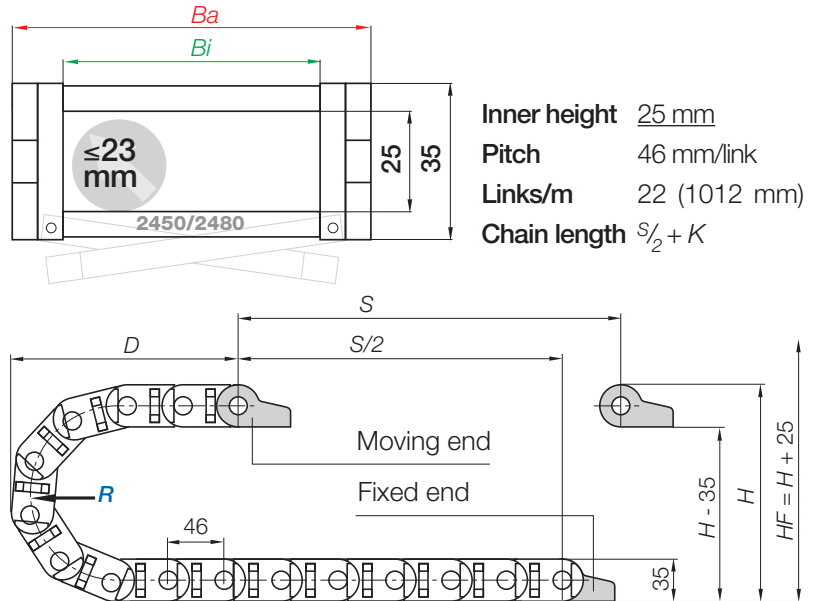
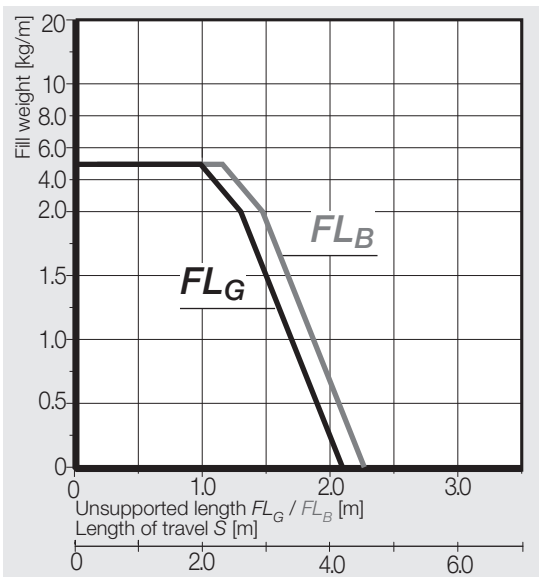
Reduce assembly time from 33 to 2 sec. with the igus® e-chain® opener. Open a long piece of e-chain® in one go. Part No. 908.254.2400 for series 2450. For widths *Bi* [mm]: 05, 07, 09

More information ► [www.igus.eu/savetime](http://www.igus.eu/savetime)





## Unsupported applications | Short travels



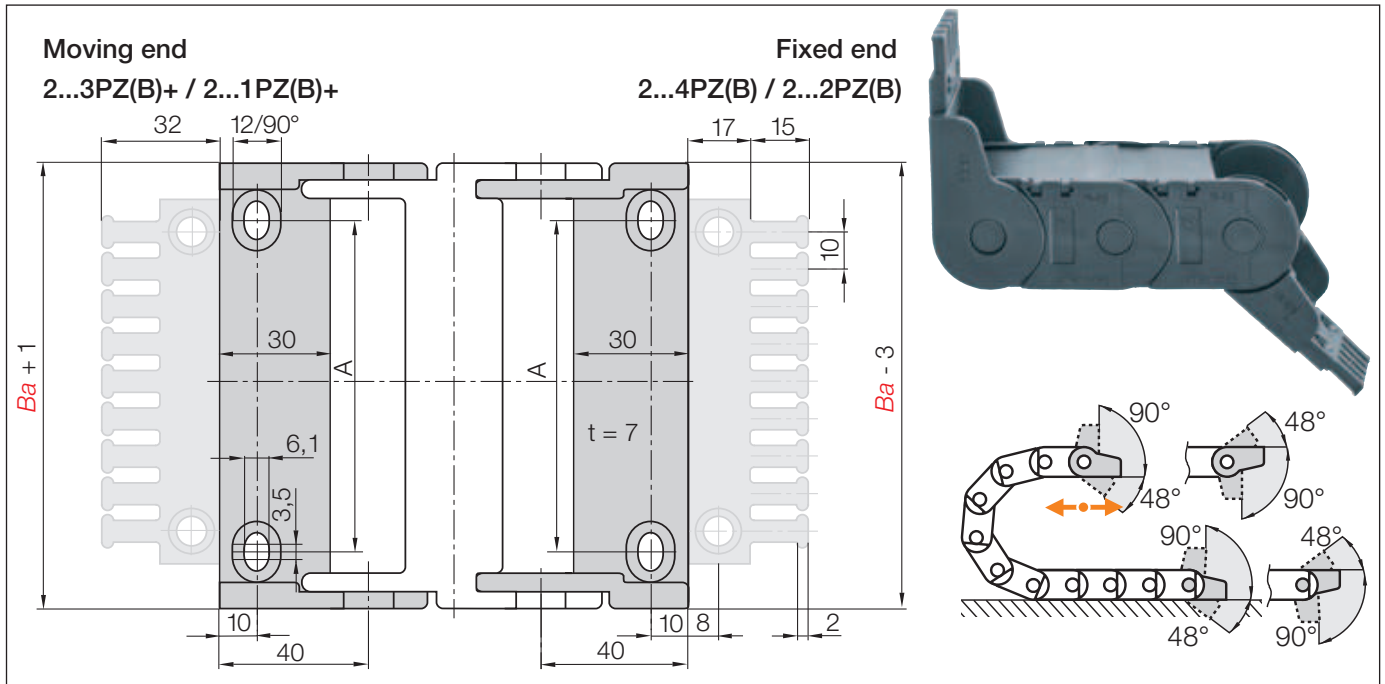
R	055*	075	100	125	150	175	200	225	250
H	145	185	235	285	335	385	435	485	535
D	142	162	187	212	237	262	287	312	337
K	265	330	410	485	565	645	725	800	880

The required clearance height:  $H_F = H + 25\text{ mm}$  (with 1,5 kg/m fill weight)

\*Radius available upon request, please consult igus® for delivery time. Before using series 2450/2480 on long travels please consult igus®.

# E2/000 | e-tubes 2450·2480 | Accessories

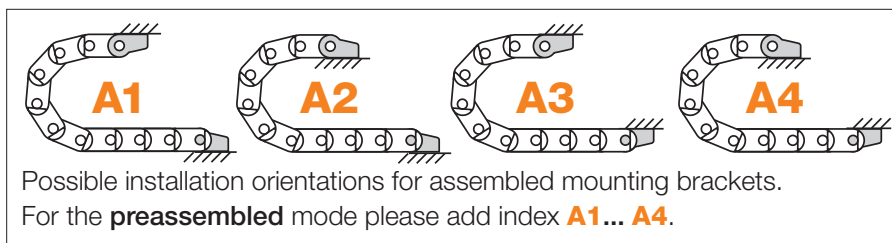
Mounting brackets, polymer | Pivoting | Locking



**Polymer pivoting** | Recommended for unsupported applications | **Standard**  
**Polymer locking** | Recommended for vertical hanging and standing applications

Width Index	Standard	Part No. full set <b>pivoting</b>		Part No. full set <b>locking</b>		A [mm]	Number of teeth
		with tiewrap plates	without tiewrap plates	with tiewrap plates	without tiewrap plates		
.02.	▶	2020.34PZB+	2020.34PZ+	2020.12PZB+	2020.12PZ+	12	3
.03.	▶	2030.34PZB+	2030.34PZ+	2030.12PZB+	2030.12PZ+	25	4
.05.	▶	2050.34PZB+	2050.34PZ+	2050.12PZB+	2050.12PZ+	44	6
.07.	▶	2070.34PZB+	2070.34PZ+	2070.12PZB+	2070.12PZ+	64	8
.09.	▶	2090.34PZB+	2090.34PZ+	2090.12PZB+	2090.12PZ+	77	9
.10.	▶	2100.34PZB+	2100.34PZ+	2100.12PZB+	2100.12PZ+	90	10
.12.	▶	2125.34PZB+	2125.34PZ+	2125.12PZB+	2125.12PZ+	112	12

Full set with tiewrap plate + 10 cable tiewraps, please add index **K1+** ▶ e.g. 2020.34PZBK1+



Part No. structure

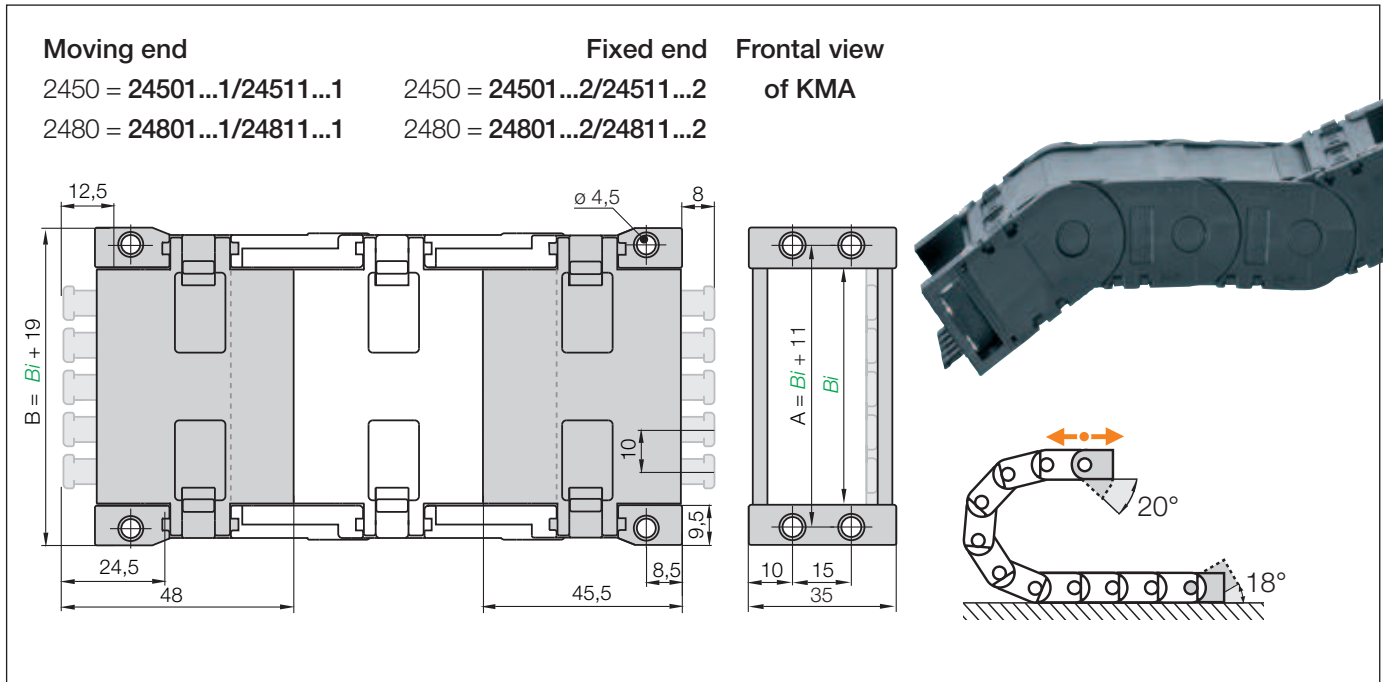
**2020.34PZB+ A1**



**Strain relief** e.g. clamps, tiewrap plates, nuggets and plug-in clips are available from stock. The complete chainfix range with order options ▶ from page 656

# E2/000 | e-tubes 2450-2480 | Accessories

KMA mounting brackets | Attachment from any side | Pivoting | Locking



**KMA pivoting** | Recommended for unsupported applications

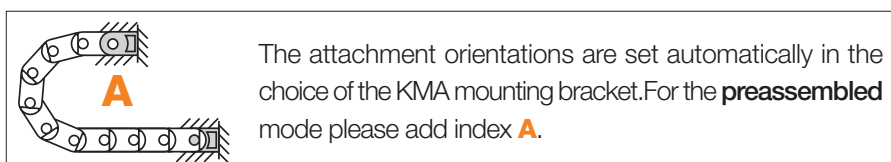
**KMA locking** | Recommended for vertical hanging and standing applications

Width Index	Part No. full set <b>KMA pivoting</b>		Part No. full set <b>KMA locking</b>		A [mm]	B [mm]	Number of teeth
	with tie-wrap plates	without tie-wrap plates	with tie-wrap plates	without tie-wrap plates			
.02.	▶ 24501   24801 .02.12ZB	24501   24801 .02.12	24511   24811 .02.12ZB	24511   24811 .02.12	36	44	2
.03.	▶ 24501   24801 .03.12ZB	24501   24801 .03.12	24511   24811 .03.12ZB	24511   24811 .03.12	49	57	4
.05.	▶ 24501   24801 .05.12ZB	24501   24801 .05.12	24511   24811 .05.12ZB	24511   24811 .05.12	68	76	6
.07.	▶ 24501   24801 .07.12ZB	24501   24801 .07.12	24511   24811 .07.12ZB	24511   24811 .07.12	88	86	7
.09.	▶ 24501   24801 .09.12ZB	24501   24801 .09.12	24511   24811 .09.12ZB	24511   24811 .09.12	100	108	9
.10.	▶ 24501   24801 .10.12ZB	24501   24801 .10.12	24511   24811 .10.12ZB	24511   24811 .10.12	114	122	10
.12.	▶ 24501   24801 .12.12ZB	24501   24801 .12.12	24511   24811 .12.12ZB	24511   24811 .12.12	136	144	12

**KMA pivoting** Part No. 24501... for half e-tube series 2450 / Part No. 24801... for full e-tube series 2480

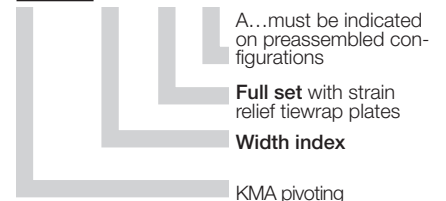
**KMA locking** Part No. 24511... for half e-tube series 2450 / Part No. 24811... for full e-tube series 2480

(KMA = Polymer Metal Mounting Bracket)



Part No. structure

**24501.02.12ZBA**



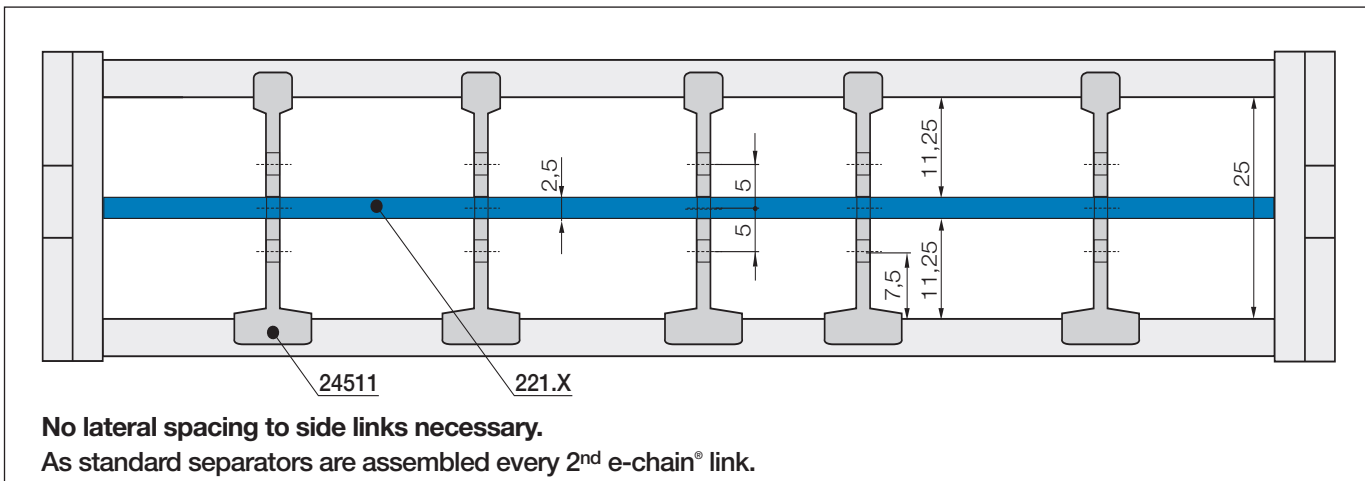
Option: steel **pivoting** Part No. 2000.32 - for e-chains® and e-tubes available

- Pivoting connections
- One part (2-piece) for all e-chain® widths
- Electrically conductive



**Strain relief** e.g. clamps, tie-wrap plates, nuggets and plug-in clips are available from stock. The complete chainfix range with order options ▶ from page 656

Interior separation



**Slotted separator for e-tubes**  
unassembled **24501**  
assembled **24511**

**Slotted separator 24501**

Is used when vertical separation is required. Due to its slot, it allows basic vertical/horizontal shelving arrangements.

**Full-width shelf for e-tubes**  
unassembled **220.X**  
assembled **221.X**

**Full-width shelf 220.X**

This option is for applications with many thin cables with similar diameters. Full-width shelves can be fitted at 3 different heights.

**Full-width shelves**

Width X [mm]	unassembled	assembled	Width X [mm]	unassembled	assembled	Width X [mm]	unassembled	assembled
025	220.25	221.25	077	220.77	221.77	125	220.125	221.125
038	220.38	221.38	090	220.90	221.90			
057	220.57	221.57	103	220.103	221.103			