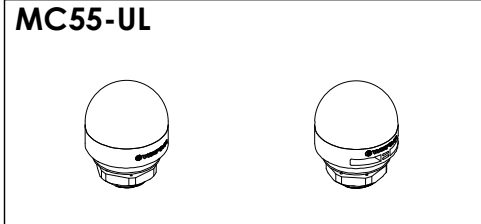
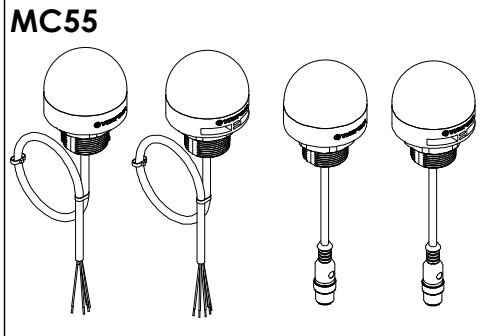
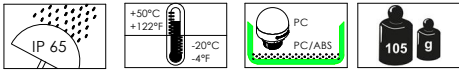


310.240.001  
150000000045\_AJ

**WERMA** 240  
Multicolour Beacon

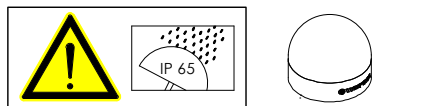
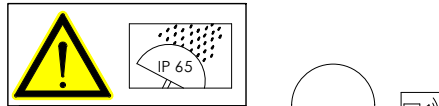
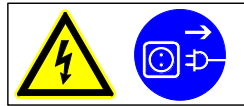


**WERMA**

WERMA Signaltechnik GmbH + Co.KG  
D-78604 Rietheim-Weiheim  
Telefon + 49 (0) 7424/9557-0  
Telefax + 49 (0) 7424/9557-44  
info@werma.com  
www.werma.com



- (D) Anschluss ausschließlich durch ausgebildete Elektro-Fachkräfte.
- (GB) Electrical connection is to be made by trained electrical specialists only .
- (F) Le branchement doit uniquement être effectué par des professionnels.
- (I) Il collegamento deve essere eseguito solo da elettricisti specializzati.
- (E) La conexión sólo debe ser realizada por electricistas debidamente formados.
- (PT) A ligação deve ser feita exclusivamente por profissional elétrico especializado.
- (NL) De aansluiting mag enkel gebeuren door erkende vakmensen.
- (CZ) Připojení smí provádět pouze kvalifikovaný personál.
- (PL) Podłączenie wyłącznie przez specjalistów-elektryków.
- (FI) Liittäminen kuuluu ainoastaan koulutettujen sähköalan ammattilaisten tehtäviin.
- (RU) Подключение проводов только специалистом-электриком.
- (TR) Bağlantı sadece eğitimli elektrik teknisyenleri tarafından yapılmalıdır.
- (CN) 布线需由专业电工执行

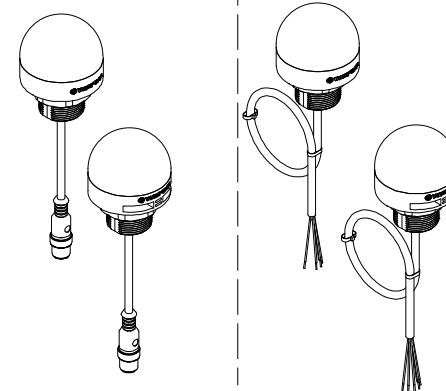


240 320 50	The power-source has to be an isolated secondary source limited by maximum 0.5A and maximum 32 VDC
240 340 50	
240 420 55	
240 440 55	



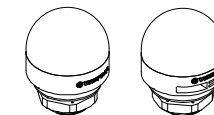
LED Permanent/ Blinking RGB	240 110 50	10-30V=	I <sub>0</sub> ≤ 60 mA I <sub>0</sub> < 700 mA
LED Permanent RGB	240 120 50 240 320 50	10-30V=	
LED Permanent/ Blinking RGB	240 130 50	10-30V=	
LED Permanent RGB	240 140 50 240 132 50 240 340 50	10-30V=	
LED Permanent RGY	240 210 55 240 220 55 240 420 55	24V=	I <sub>0</sub> ≤ 45 mA
LED Permanent RGY	240 230 55 240 240 55 240 440 55	24V=	I < 150 mA

240 120 50, 240 132 50      240 110 50, 240 130 50  
240 140 50, 240 220 55      240 210 55, 240 230 55  
240 240 55



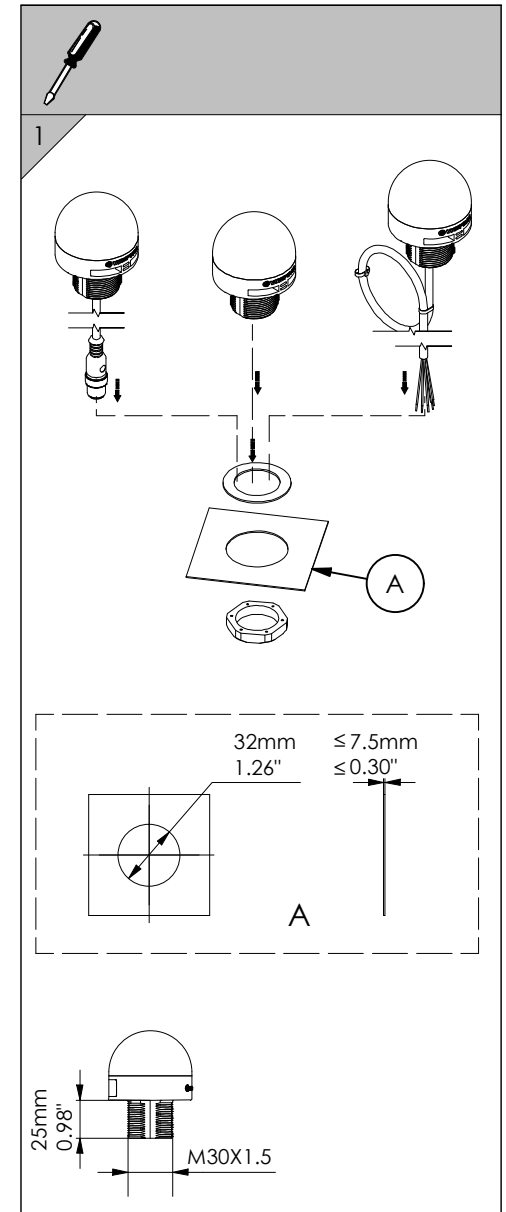
Cable length: 10cm/3.94"      Cable length: 145cm/57.09"

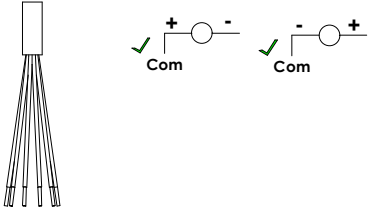
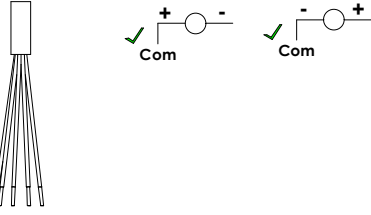
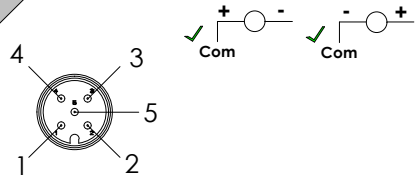
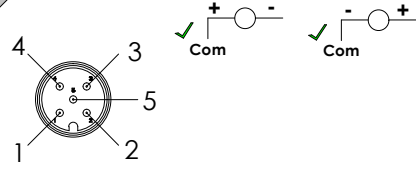
240 320 50, 240 340 50  
240 420 55, 240 440 55



M12 Connector

Model number	Limited voltage	Limited current
240 320 50	10-30VDC	120mA
240 340 50	10-30VDC	130mA
240 420 55	24VDC	40mA
240 440 55	24VDC	65mA



2	2a	2a - 240 110 50, 240 130 50 2b - 240 210 55, 240 230 55 2c - 240 120 50, 240 132 50 240 140 50, 240 320 50 240 340 50 2d - 240 220 55, 240 240 55 240 420 55, 240 440 55																																															
	2a																																																
	2b																																																
	2c																																																
	2d																																																
	2a	<table border="1"> <tr> <th colspan="6">Wire</th> <th rowspan="2">Colour</th> </tr> <tr> <th>WH</th> <th>RD</th> <th>GN</th> <th>BU</th> <th>YE</th> <th>GY*</th> </tr> <tr> <td rowspan="6">(±)</td> <td>(±)V</td> <td>NC</td> <td>NC</td> <td rowspan="6">Bling-king (±)V</td> <td rowspan="6">* 喇叭</td> <td>RD</td> </tr> <tr> <td>NC</td> <td>(±)V</td> <td>NC</td> <td>GN</td> </tr> <tr> <td>(±)V</td> <td>(±)V</td> <td>NC</td> <td>YE</td> </tr> <tr> <td>NC</td> <td>NC</td> <td>(±)V</td> <td>BU</td> </tr> <tr> <td>(±)V</td> <td>(±)V</td> <td>(±)V</td> <td>WH</td> </tr> <tr> <td>(±)V</td> <td>NC</td> <td>(±)V</td> <td>VT</td> </tr> <tr> <td></td> <td>NC</td> <td>(±)V</td> <td>(±)V</td> <td></td> <td></td> <td>TQ</td> </tr> </table>	Wire						Colour	WH	RD	GN	BU	YE	GY*	(±)	(±)V	NC	NC	Bling-king (±)V	* 喇叭	RD	NC	(±)V	NC	GN	(±)V	(±)V	NC	YE	NC	NC	(±)V	BU	(±)V	(±)V	(±)V	WH	(±)V	NC	(±)V	VT		NC	(±)V	(±)V			TQ
Wire						Colour																																											
WH	RD	GN	BU	YE	GY*																																												
(±)	(±)V	NC	NC	Bling-king (±)V	* 喇叭	RD																																											
	NC	(±)V	NC			GN																																											
	(±)V	(±)V	NC			YE																																											
	NC	NC	(±)V			BU																																											
	(±)V	(±)V	(±)V			WH																																											
	(±)V	NC	(±)V			VT																																											
	NC	(±)V	(±)V			TQ																																											
	2b	<table border="1"> <tr> <th colspan="4">Wire</th> <th rowspan="2">Colour</th> </tr> <tr> <th>WH</th> <th>Com</th> <th>RD</th> <th>GN</th> </tr> <tr> <td rowspan="3">(±)</td> <td rowspan="3">喇叭</td> <td>(±)V</td> <td>NC</td> <td>RD</td> </tr> <tr> <td>NC</td> <td>(±)V</td> <td>GN</td> </tr> <tr> <td>NC</td> <td>NC</td> <td>YE</td> </tr> </table>	Wire				Colour	WH	Com	RD	GN	(±)	喇叭	(±)V	NC	RD	NC	(±)V	GN	NC	NC	YE																											
Wire				Colour																																													
WH	Com	RD	GN																																														
(±)	喇叭	(±)V	NC	RD																																													
		NC	(±)V	GN																																													
		NC	NC	YE																																													
	2c	<table border="1"> <tr> <th colspan="5">Pin</th> <th rowspan="2">Colour</th> </tr> <tr> <th>1</th> <th>2</th> <th>3 COM</th> <th>4</th> <th>5*</th> </tr> <tr> <td>NC</td> <td>NC</td> <td rowspan="6">(±)</td> <td>(±)V</td> <td rowspan="6">喇叭 (±)V</td> <td>RD</td> </tr> <tr> <td>(±)V</td> <td>NC</td> <td>NC</td> <td>GN</td> </tr> <tr> <td>(±)V</td> <td>NC</td> <td>(±)V</td> <td>YE</td> </tr> <tr> <td>NC</td> <td>(±)V</td> <td>NC</td> <td>BU</td> </tr> <tr> <td>(±)V</td> <td>(±)V</td> <td>(±)V</td> <td>WH</td> </tr> <tr> <td>NC</td> <td>(±)V</td> <td>(±)V</td> <td>VT</td> </tr> <tr> <td></td> <td></td> <td></td> <td>NC</td> <td></td> <td>TQ</td> </tr> </table>	Pin					Colour	1	2	3 COM	4	5*	NC	NC	(±)	(±)V	喇叭 (±)V	RD	(±)V	NC	NC	GN	(±)V	NC	(±)V	YE	NC	(±)V	NC	BU	(±)V	(±)V	(±)V	WH	NC	(±)V	(±)V	VT				NC		TQ				
Pin					Colour																																												
1	2	3 COM	4	5*																																													
NC	NC	(±)	(±)V	喇叭 (±)V	RD																																												
(±)V	NC		NC		GN																																												
(±)V	NC		(±)V		YE																																												
NC	(±)V		NC		BU																																												
(±)V	(±)V		(±)V		WH																																												
NC	(±)V		(±)V		VT																																												
			NC		TQ																																												
	2d	<table border="1"> <tr> <th colspan="5">Pin</th> <th rowspan="2">Colour</th> </tr> <tr> <th>1</th> <th>2</th> <th>3 Com</th> <th>4</th> <th>5</th> </tr> <tr> <td>NC</td> <td>NC</td> <td rowspan="6">(±)</td> <td>(±)V</td> <td rowspan="6">喇叭 (±)V</td> <td>RD</td> </tr> <tr> <td>(±)V</td> <td>NC</td> <td>NC</td> <td>GN</td> </tr> <tr> <td>NC</td> <td>(±)V</td> <td>NC</td> <td>YE</td> </tr> </table>	Pin					Colour	1	2	3 Com	4	5	NC	NC	(±)	(±)V	喇叭 (±)V	RD	(±)V	NC	NC	GN	NC	(±)V	NC	YE																						
Pin					Colour																																												
1	2	3 Com	4	5																																													
NC	NC	(±)	(±)V	喇叭 (±)V	RD																																												
(±)V	NC		NC		GN																																												
NC	(±)V		NC		YE																																												
	2a		<p>* 240 130 50 NC = not connected</p>																																														
	2b		<p>* 240 230 55 NC = not connected</p>																																														
	2c		<p>* 240 140 50 NC = not connected</p>																																														
	2d	<p>* 240 240 55 NC = not connected</p>																																															

\* 240 230 55  
NC = not connected

150000000045\_AJ  
310.240.001  




**Marking of Hazardous Substances**  
**有害物质标识**

WERMA Signaltechnik GmbH + Co. KG  
Dürbeheimer Straße 15  
78604 Rietheim-Weilheim / Germany

WERMA article number 伟马伟德物料号:  
240 230 55, 240 240 55, 240 130 50, 240 140 50, 240 340 50, 240 440 55

According to the SJ/T 11364-2014 Standard of the People's Republic of China for the Electronic Industry  
本表格依据中华人民共和国 SJ/T 11364-2014 的规定编制

Component Name 部件名称	Hazardous Substances 有害物质				
	Lead 铅 (Pb)	Mercury 汞 (Hg)	Cadmium 镉 (Cd)	Hexavalent Chromium 六价铬 (Cr (VI))	Polybrominated diphenyl ethers 多溴二苯醚 (PBDE)
Plastic parts 塑料件	○	○	○	○	○
Label 标签	○	○	○	○	○
PCB and its electronics components 印制电路板及其电子元器件	X*	○	○	○	○
Buzzer 蜂鸣器	X*	○	○	○	○
M12 plug and cable M12 插头和电缆	○	○	○	○	○
Cable tie 扎带	○	○	○	○	○

This table was developed according to the provisions of SJ/T 11364-2014  
本表格依据 SJ/T 11364-2014 的规定编制

O: The content of such hazardous substance in all homogeneous materials of such component is **below** the limit required by GB/T 26572-2011.  
表示该有害物质在该部件所有均质材料中的含量均在 GB/T 26572-2011 规定的限量要求以下。

X: The content of such hazardous substance in all homogeneous materials of such component is **beyond** the limit required by GB/T 26572-2011.  
表示该有害物质在该部件的某一均质材料中的含量超出 GB/T 26572-2011 规定的限量要求。

Enterprises may further explain the technical reasons for ticking "X" in the table above according to their actual situation herein.  
企业可在此处，根据实际情况对上表中打“X”的技术原因进行进一步说明。

\*Exemptions according to EU RoHS 2011/65 Annex III and IV of the scope of application  
\*欧盟 RoHS 2011/65 附件 III 和 IV 的豁免可能适用

■ Restricted substances beyond limit required by GB/T 26572-2011  
■ 限制物质的含量超出 GB/T 26572-2011 规定的限制

EFUP (Environment Friendly Use Period) 环保使用期限:

Rietheim 里泰姆 09.06.2021  
i.V. 蔡秋 D. Kentsy  
Director R&D 研发总监



**Marking of Hazardous Substances**  
**有害物质标识**

WERMA Signaltechnik GmbH + Co. KG  
Dürbeheimer Straße 15  
78604 Rietheim-Weilheim / Germany

WERMA article number 伟马伟德物料号:  
240 210 55, 240 220 55, 240 110 50, 240 120 50, 240 320 50, 240 420 55

According to the SJ/T 11364-2014 Standard of the People's Republic of China for the Electronic Industry  
本表格依据中华人民共和国 SJ/T 11364-2014 的规定编制

Component Name 部件名称	Hazardous Substances 有害物质				
	Lead 铅 (Pb)	Mercury 汞 (Hg)	Cadmium 镉 (Cd)	Hexavalent Chromium 六价铬 (Cr (VI))	Polybrominated diphenyl ethers 多溴二苯醚 (PBDE)
Plastic parts 塑料件	○	○	○	○	○
Label 标签	○	○	○	○	○
PCB and its electronics components 印制电路板及其电子元器件	X*	○	○	○	○
M12 plug and cable M12 插头和电缆	○	○	○	○	○
Cable tie 扎带	○	○	○	○	○

This table was developed according to the provisions of SJ/T 11364-2014  
本表格依据 SJ/T 11364-2014 的规定编制

O: The content of such hazardous substance in all homogeneous materials of such component is **below** the limit required by GB/T 26572-2011.  
表示该有害物质在该部件所有均质材料中的含量均在 GB/T 26572-2011 规定的限量要求以下。

X: The content of such hazardous substance in all homogeneous materials of such component is **beyond** the limit required by GB/T 26572-2011.  
表示该有害物质在该部件的某一均质材料中的含量超出 GB/T 26572-2011 规定的限量要求。

Enterprises may further explain the technical reasons for ticking "X" in the table above according to their actual situation herein.  
企业可在此处，根据实际情况对上表中打“X”的技术原因进行进一步说明。

\*Exemptions according to EU RoHS 2011/65 Annex III and IV of the scope of application  
\*欧盟 RoHS 2011/65 附件 III 和 IV 的豁免可能适用

■ Restricted substances beyond limit required by GB/T 26572-2011  
■ 限制物质的含量超出 GB/T 26572-2011 规定的限制

EFUP (Environment Friendly Use Period) 环保使用期限:

Rietheim 里泰姆 09.06.2021  
i.V. 蔡秋 D. Kentsy  
Director R&D 研发总监