

Elastomer jaw couplings

with clamping hub

SPECIFICATION

Bore codes

- Type **B**: without keyway
- Type **K**: with keyway (from $d_1 = 30$)

Hub

Aluminum **AL**
anodized, natural color

Coupling spider

Polyurethane (TPU)
temperature resistant up to 60 °C

Hardness

80 Shore A, blue **BS**
92 Shore A, white **WS**
98 Shore A, red **RS**

Socket cap screws DIN 912
Steel, blackened

Temperature range: -20 °C up to +60 °C

INFORMATION

Elastomer jaw couplings GN 2240 can transmit very high torques while compensating for shaft misalignments and runout tolerances. They are preferred in applications where the focus lies on pure torque and power transmission.

The choice of three coupling spiders with different hardness values allows the properties of the coupling to be optimally matched to the specific requirements. The clamping hubs and simple plug-in installation make jaw couplings very easy to assemble.

With the bore code K, the keyway is always integrated into both bores d_2 and d_3 .

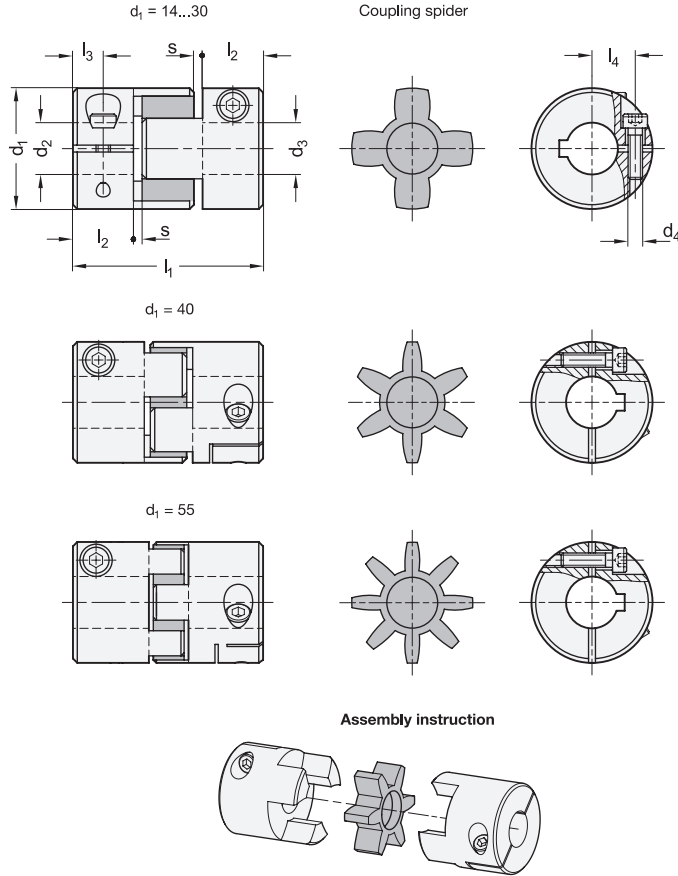
ACCESSORY

- Coupling spiders GN 2240.1 (see page)

TECHNICAL INFORMATION

- Keyway P9 DIN 6885 (see page A16)
- ISO-Fundamental Tolerances (see page A21)
- Elastomer characteristics (see page A32)





TECHNICAL VALUES


d1	Coupling spider	Shore hardness coupling spider	Rated torque in Nm	Max. torque in Nm	Max. speed (min ⁻¹)	Moment of inertia in kgm ²	Static torsional stiffness in Nm/rad	Max. shaft misalignment		
								lateral in mm	axial in mm	angular in °
14	BS	80A	0.7	1.4	45.000	2.0 × 10 ⁻⁷	8	0.15	0.6	1
14	WS	92A	1.2	2.4	45.000	2.0 × 10 ⁻⁷	14	0.1	0.6	1
14	RS	98A	2	4	45.000	2.0 × 10 ⁻⁷	22	0.1	0.6	1
20	BS	80A	1.8	3.6	31.000	1.1 × 10 ⁻⁶	16	0.2	0.8	1
20	WS	92A	3	6	31.000	1.1 × 10 ⁻⁶	29	0.15	0.8	1
20	RS	98A	5	10	31.000	1.1 × 10 ⁻⁶	55	0.1	0.8	1
30	BS	80A	4	8	21.000	6.2 × 10 ⁻⁶	46	0.2	1	1
30	WS	92A	7.5	15	21.000	6.2 × 10 ⁻⁶	73	0.15	1	1
30	RS	98A	12.5	25	21.000	6.2 × 10 ⁻⁶	130	0.1	1	1
40	BS	80A	4.9	9.8	15.000	3.7 × 10 ⁻⁵	380	0.15	1.2	1
40	WS	92A	10	20	15.000	3.7 × 10 ⁻⁵	570	0.1	1.2	1
40	RS	98A	17	34	15.000	3.7 × 10 ⁻⁵	1200	0.1	1.2	1
55	BS	80A	17	34	11.000	1.6 × 10 ⁻⁴	1400	0.2	1.4	1
55	WS	92A	35	70	11.000	1.6 × 10 ⁻⁴	1600	0.15	1.4	1
55	RS	98A	60	120	11.000	1.6 × 10 ⁻⁴	2600	0.1	1.4	1



* Complete with shore hardness of the couplings (BS, RS, WS)

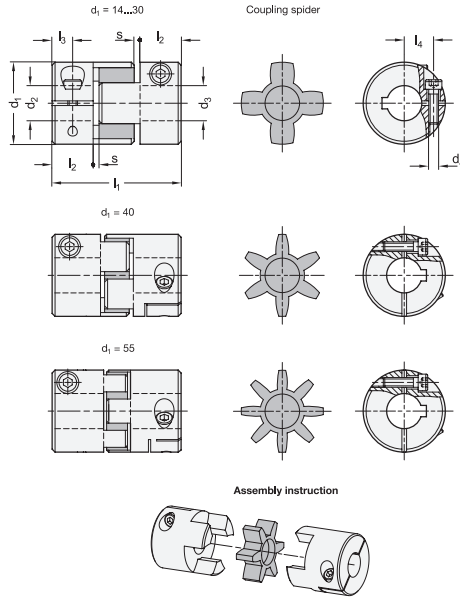
BS RS WS

GN 2240-B

Description	d1	d2 - d3 H8 recommended shaft tolerance h7	d4	l1	l2 recommended shaft insertion depth	l3	l4	s recommended installation spacing	
GN 2240-14-B3-3-AL-*	14	3-3	M 2	22	7	3.5	4	1	9
GN 2240-14-B3-4-AL-*	14	3-4	M 2	22	7	3.5	4	1	9
GN 2240-14-B3-5-AL-*	14	3-5	M 2	22	7	3.5	4	1	9
GN 2240-14-B3-6-AL-*	14	3-6	M 2 / M 1.6	22	7	3.5	4 / 5	1	9
GN 2240-14-B4-4-AL-*	14	4-4	M 2	22	7	3.5	4	1	9
GN 2240-14-B4-5-AL-*	14	4-5	M 2	22	7	3.5	4	1	9
GN 2240-14-B4-6-AL-*	14	4-6	M 2 / M 1.6	22	7	3.5	4 / 5	1	9
GN 2240-14-B5-5-AL-*	14	5-5	M 2	22	7	3.5	4	1	9
GN 2240-14-B5-6-AL-*	14	5-6	M 2 / M 1.6	22	7	3.5	4 / 5	1	9
GN 2240-14-B6-6-AL-*	14	6-6	M 1.6	22	7	3.5	5	1	9
GN 2240-20-B5-5-AL-*	20	5-5	M 2.5	30	10	5	6.5	1	22
GN 2240-20-B5-6-AL-*	20	5-6	M 2.5	30	10	5	6.5	1	22
GN 2240-20-B5-8-AL-*	20	5-8	M 2.5	30	10	5	6.5	1	22
GN 2240-20-B6-6-AL-*	20	6-6	M 2.5	30	10	5	6.5	1	22
GN 2240-20-B6-8-AL-*	20	6-8	M 2.5	30	10	5	6.5	1	22
GN 2240-20-B8-8-AL-*	20	8-8	M 2.5	30	10	5	6.5	1	22
GN 2240-30-B8-8-AL-*	30	8-8	M 4	35	11	5.5	10	1.5	51
GN 2240-30-B8-10-AL-*	30	8-10	M 4	35	11	5.5	10	1.5	51
GN 2240-30-B8-12-AL-*	30	8-12	M 4	35	11	5.5	10	1.5	51
GN 2240-30-B8-14-AL-*	30	8-14	M 4 / M 3	35	11	5.5	10 / 11	1.5	51
GN 2240-30-B10-10-AL-*	30	10-10	M 4	35	11	5.5	10	1.5	51
GN 2240-30-B10-12-AL-*	30	10-12	M 4	35	11	5.5	10	1.5	51
GN 2240-30-B10-14-AL-*	30	10-14	M 4 / M 3	35	11	5.5	10 / 11	1.5	51
GN 2240-30-B12-12-AL-*	30	12-12	M 4	35	11	5.5	10	1.5	51
GN 2240-30-B12-14-AL-*	30	12-14	M 4 / M 3	35	11	5.5	10 / 11	1.5	51
GN 2240-30-B14-14-AL-*	30	14-14	M 3	35	11	5.5	11	1.5	51
GN 2240-40-B12-12-AL-*	40	12-12	M 5	66	25	8.5	14	2	181
GN 2240-40-B12-14-AL-*	40	12-14	M 5	66	25	8.5	14	2	181
GN 2240-40-B12-15-AL-*	40	12-15	M 5	66	25	8.5	14	2	181
GN 2240-40-B12-16-AL-*	40	12-16	M 5	66	25	8.5	14	2	181
GN 2240-40-B14-14-AL-*	40	14-14	M 5	66	25	8.5	14	2	181
GN 2240-40-B14-15-AL-*	40	14-15	M 5	66	25	8.5	14	2	181
GN 2240-40-B14-16-AL-*	40	14-16	M 5	66	25	8.5	14	2	181
GN 2240-40-B15-15-AL-*	40	15-15	M 5	66	25	8.5	14	2	181
GN 2240-40-B15-16-AL-*	40	15-16	M 5	66	25	8.5	14	2	181
GN 2240-40-B16-16-AL-*	40	16-16	M 5	66	25	8.5	14	2	181
GN 2240-55-B18-18-AL-*	55	18-18	M 6	78	30	10.5	20	2	414
GN 2240-55-B18-19-AL-*	55	18-19	M 6	78	30	10.5	20	2	414
GN 2240-55-B18-20-AL-*	55	18-20	M 6	78	30	10.5	20	2	414
GN 2240-55-B18-25-AL-*	55	18-25	M 6	78	30	10.5	20	2	414
GN 2240-55-B19-19-AL-*	55	19-19	M 6	78	30	10.5	20	2	414
GN 2240-55-B19-20-AL-*	55	19-20	M 6	78	30	10.5	20	2	414
GN 2240-55-B19-25-AL-*	55	19-25	M 6	78	30	10.5	20	2	414
GN 2240-55-B20-20-AL-*	55	20-20	M 6	78	30	10.5	20	2	414
GN 2240-55-B20-25-AL-*	55	20-25	M 6	78	30	10.5	20	2	414
GN 2240-55-B25-25-AL-*	55	25-25	M 6	78	30	10.5	20	2	414

Weight type BS





* Complete with shore hardness of the couplings (BS, RS, WS)

BS RS WS

GN 2240-K

Description	d1	d2 - d3 H8 recommended shaft tolerance h7	d4	l1	l2 recommended shaft insertion depth	l3	l4	s recommended installation spacing	⚖
GN 2240-30-K8-8-AL-*	30	8-8	M 4	35	11	5.5	10	1.5	51
GN 2240-30-K8-10-AL-*	30	8-10	M 4	35	11	5.5	10	1.5	51
GN 2240-30-K8-12-AL-*	30	8-12	M 4	35	11	5.5	10	1.5	51
GN 2240-30-K8-14-AL-*	30	8-14	M 4 / M 3	35	11	5.5	10 / 11	1.5	51
GN 2240-30-K10-10-AL-*	30	10-10	M 4	35	11	5.5	10	1.5	51
GN 2240-30-K10-12-AL-*	30	10-12	M 4	35	11	5.5	10	1.5	51
GN 2240-30-K10-14-AL-*	30	10-14	M 4 / M 3	35	11	5.5	10 / 11	1.5	51
GN 2240-30-K12-12-AL-*	30	12-12	M 4	35	11	5.5	10	1.5	51
GN 2240-30-K12-14-AL-*	30	12-14	M 4 / M 3	35	11	5.5	10 / 11	1.5	51
GN 2240-30-K14-14-AL-*	30	14-14	M 3	35	11	5.5	11	1.5	51
GN 2240-40-K12-12-AL-*	40	12-12	M 5	66	25	8.5	14	2	181
GN 2240-40-K12-14-AL-*	40	12-14	M 5	66	25	8.5	14	2	181
GN 2240-40-K12-15-AL-*	40	12-15	M 5	66	25	8.5	14	2	181
GN 2240-40-K12-16-AL-*	40	12-16	M 5	66	25	8.5	14	2	181
GN 2240-40-K14-14-AL-*	40	14-14	M 5	66	25	8.5	14	2	181
GN 2240-40-K14-15-AL-*	40	14-15	M 5	66	25	8.5	14	2	181
GN 2240-40-K14-16-AL-*	40	14-16	M 5	66	25	8.5	14	2	181
GN 2240-40-K15-15-AL-*	40	15-15	M 5	66	25	8.5	14	2	181
GN 2240-40-K15-16-AL-*	40	15-16	M 5	66	25	8.5	14	2	181
GN 2240-40-K16-16-AL-*	40	16-16	M 5	66	25	8.5	14	2	181
GN 2240-55-K18-18-AL-*	55	18-18	M 6	78	30	10.5	20	2	414
GN 2240-55-K18-19-AL-*	55	18-19	M 6	78	30	10.5	20	2	414
GN 2240-55-K18-20-AL-*	55	18-20	M 6	78	30	10.5	20	2	414
GN 2240-55-K18-25-AL-*	55	18-25	M 6	78	30	10.5	20	2	414
GN 2240-55-K19-19-AL-*	55	19-19	M 6	78	30	10.5	20	2	414
GN 2240-55-K19-20-AL-*	55	19-20	M 6	78	30	10.5	20	2	414
GN 2240-55-K19-25-AL-*	55	19-25	M 6	78	30	10.5	20	2	414
GN 2240-55-K20-20-AL-*	55	20-20	M 6	78	30	10.5	20	2	414
GN 2240-55-K20-25-AL-*	55	20-25	M 6	78	30	10.5	20	2	414
GN 2240-55-K25-25-AL-*	55	25-25	M 6	78	30	10.5	20	2	414

Weight type BS

