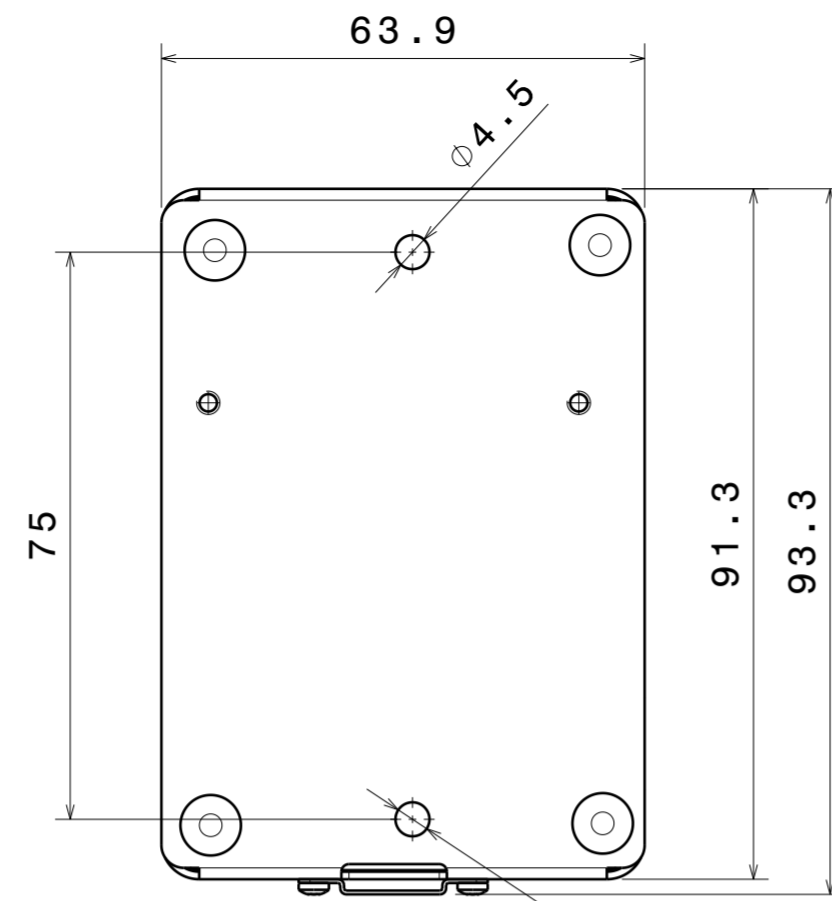
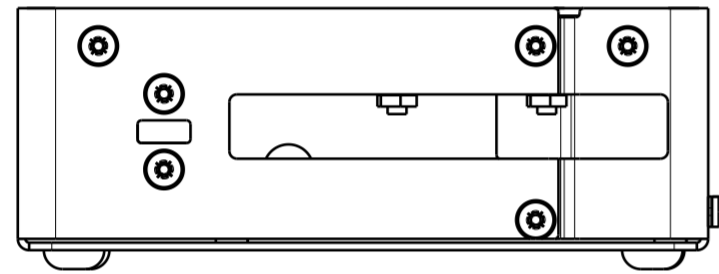


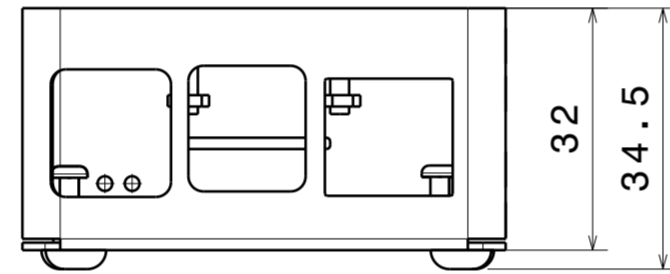
Iso view
Scale: 1:2



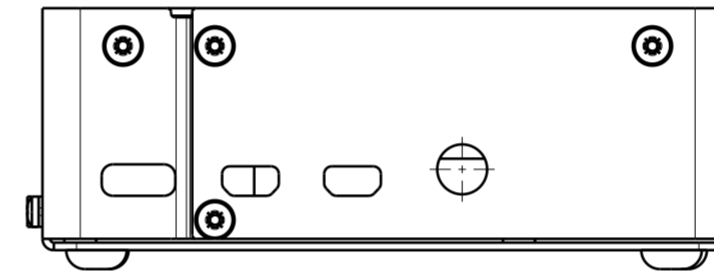
Bottom view
Scale: 1:1



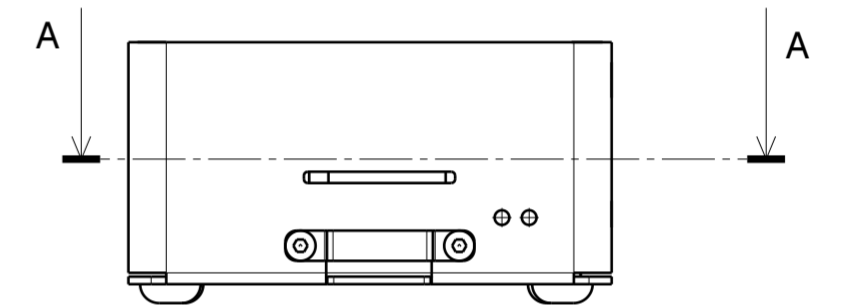
Right view
Scale: 1:1



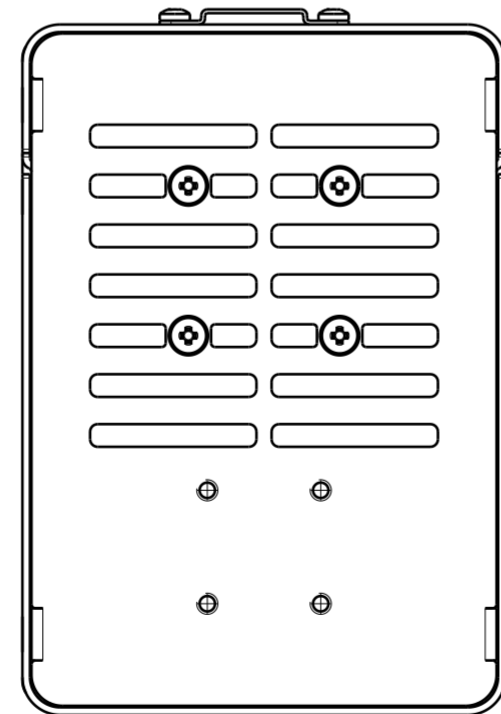
Front view
Scale: 1:1



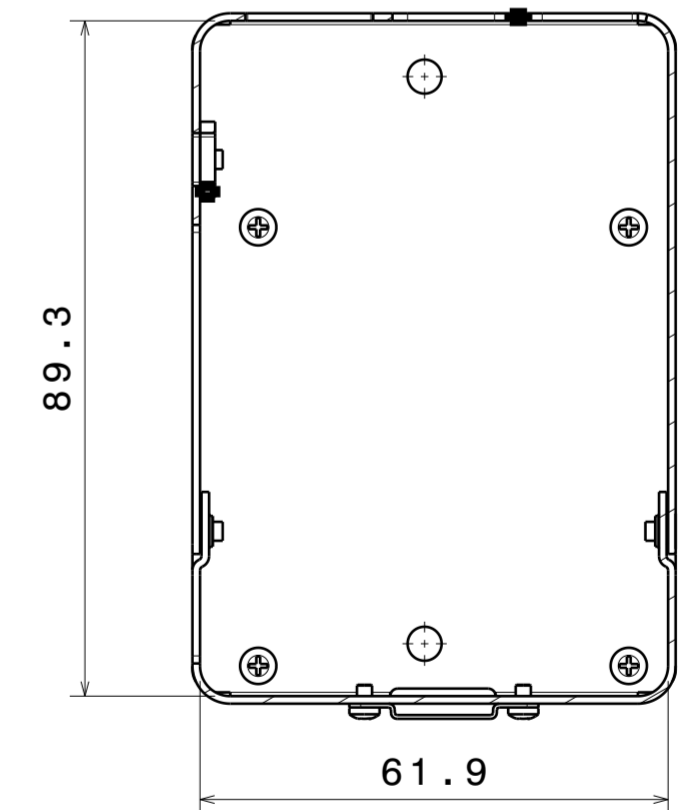
Left view
Scale: 1:1



Rear view
Scale: 1:1



Top view
Scale: 1:1



Section view A-A
Scale: 1:1

ITEM REF	NUMBER	DESCRIPTION	MATERIAL	REMARKS	Unit: metric
					Weight
View pos	Sign	General tolerance			
	AP	SS-ISO 2768-1-m			
	Checked	Approved	Drawing file		Scale (if not 1:1)
	AP	.	.		1:1 Sheet
Title (max 20 pos)				Date	
				2021-01-18	
Layout Drawing OKDO Raspberry Pi 4 Case				Drawing no	Rev.
					A

This drawing is the property of
 OKDO Technology Limited.
 It may not be copied, shown
 or handed to any third party without our permission.