

Data Sheet | Item Number: 216-1543

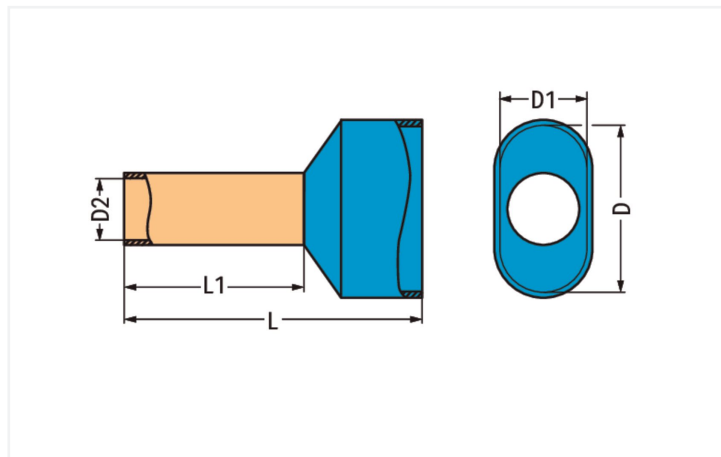
Twin ferrule; insulated; black

<https://www.wago.com/216-1543>



Color: ■ black

Similar to illustration



Technical data

Main product function

Ferrule

Connection data

Fine-stranded conductor

1.5 mm² / 16 AWG

Physical data

Length	20 mm
Length 1	12 mm
Diameter	6.5 mm
Diameter 1	3.6 mm
Diameter 2	2.2 mm

Material Data

Color	black
Fire load	0 MJ
Weight	0.2 g

Commercial data

PU (SPU)	1000 pcs
Packaging type	Bag
Country of origin	DE
GTIN	4055143642811
Customs tariff number	85369010000

Downloads

Environmental Product Compliance

Compliance Search

Environmental Product
Compliance 216-1543



Installation Notes

