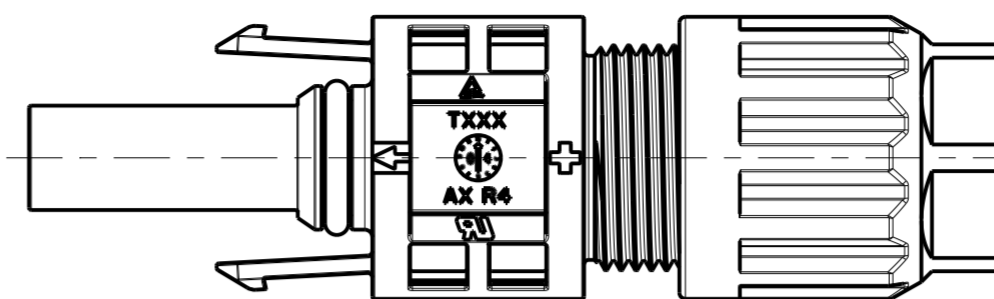


THIS DRAWING IS UNPUBLISHED. RELEASED FOR PUBLICATION 2014
 © COPYRIGHT 2014 BY - TE CONNECTIVITY ALL RIGHTS RESERVED.

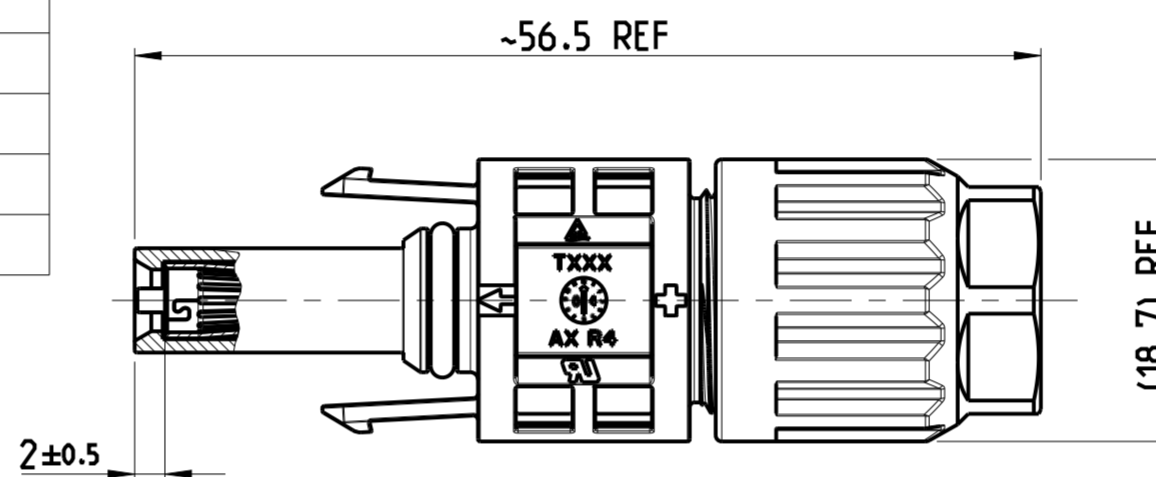
LOC	DIST	REVISIONS					
		P	LTR	DESCRIPTION	DATE	DWN	APVD
-	-	B1		UPDATED CABLE DIAMETER	01JUN2018	GCM	MZ
		B2		REVISED DRAWING	28SEP2018	MZ	MZ
		B3		ADDED NEW P/Ns	25NOV2019	MZ	PO
		B4		ADDED NEW P/N -5	18JAN2021	MZ	MZ

1 SPECIFICATION:

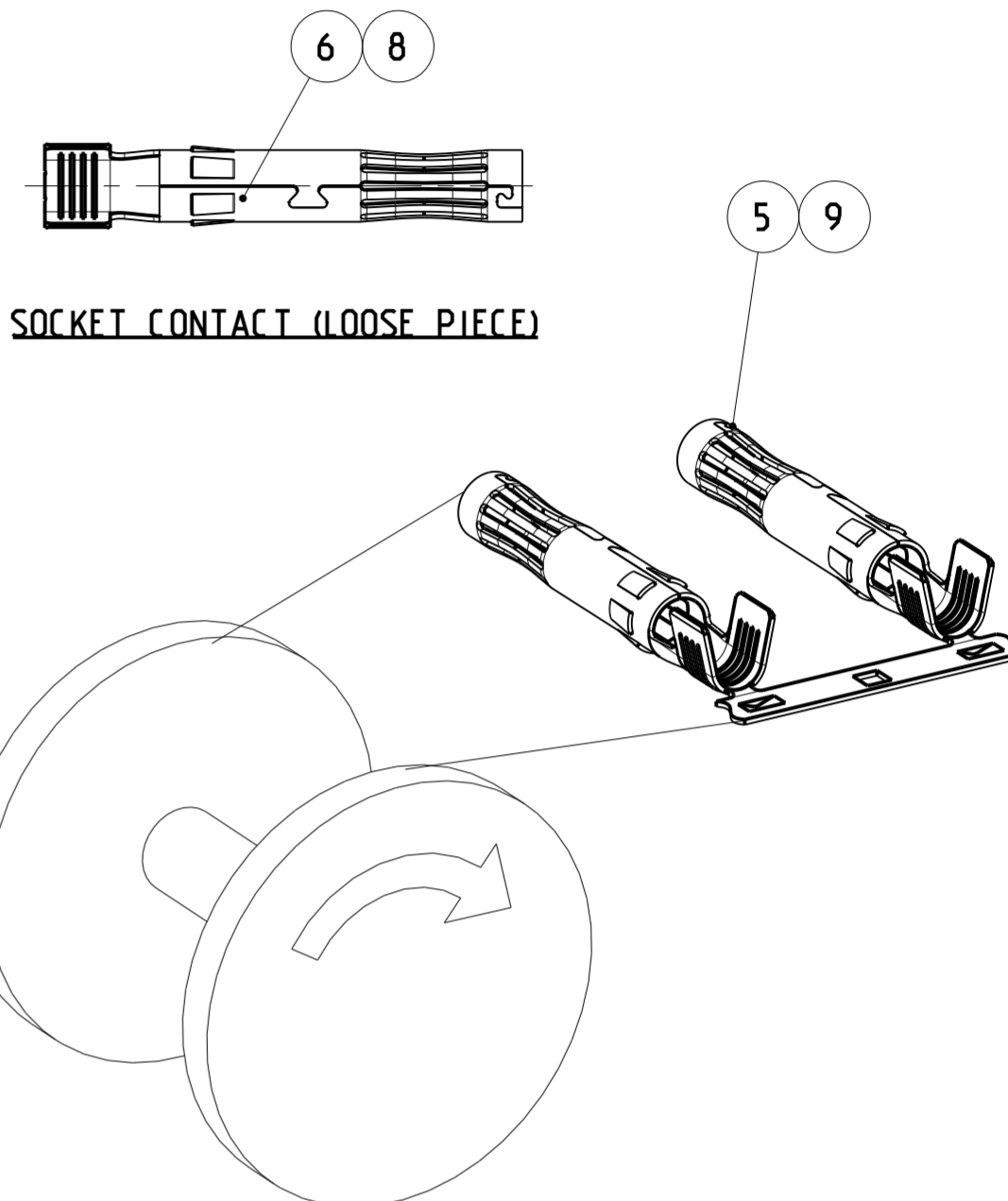
CABLE CONDUCTOR SIZE	2.5 MM ² /14AWG	4.0 MM ² /AWG12	6.0 MM ² /AWG10
RATED CURRENT (AT 85°C AMBIENT)	UL 15A DC TUV 35A DC	UL 20A DC TUV 40A DC	UL 30A DC TUV 45A DC
RATED VOLTAGE	PV4-S: UL 1000V DC / TUV 1000V DC PV4-S1: UL 1500V DC / TUV 1500V DC		
DEGREE OF PROTECTION, MATED	IP 68 (1m, 24h)		
AMBIENT TEMPERATURE RANGE	-40 °C ~ +85 °C		
OVERVOLTAGE CATEGORY	III		
POLLUTION DEGREE	2		
CONTACT RESISTANCE	0.5 mΩ		
CONTACT MATERIAL	COPPER, TIN PLATED		
INSULATION MATERIAL	THERMOPLASTIC, UL94-V0		
SAFETY CLASS	II		
STRIP LENGTH	6.5 mm		
CABLE JACKET DIAMETER	TUV: 5.0-7.8 mm / UL: 5.5-7.8 mm		



PREASSEMBLED VIEW AS SHOWN



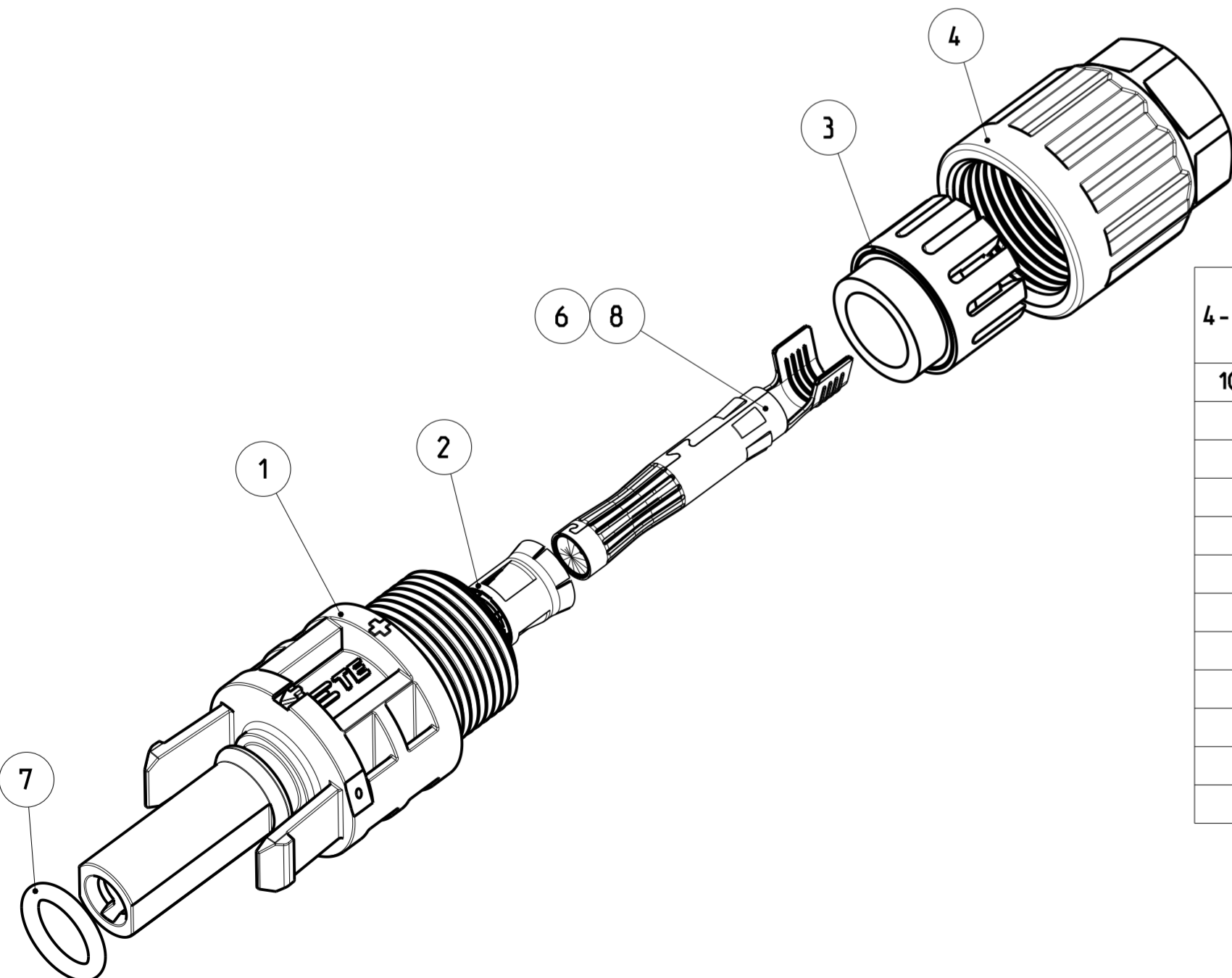
ASSEMBLED VIEW AS SHOWN



STRIP CONTACT COME OFF TO ASSEMBLY
 2000 PCS CONTACTS MOUNTED REEL
 REEL TYPE SUBJECT TO ALTERNATION -1 AS SHOWN

2 CONTACT SHOWN UNINSTALLED, FOR REFERENCE ONLY

3 USE ONLY CRIMPING TOOL OF TE CONNECTIVITY TO CRIMP CONTACT.
 A. CRIMPING TOOL PN 6-1579014-9 WILL BE USED FOR CRIMPING THE CONTACTS HAVING WIRE SIZE 2.5mm² AND 4.0mm².
 B. CRIMPING TOOL PN 6-1579014-8 WILL BE USED FOR CRIMPING THE CONTACTS HAVING WIRE SIZE 4.0mm² AND 6.0mm².
 4. PLEASE SEE 114-137077 FOR ASSEMBLY PROCESS



CONNECTOR ASSEMBLY SHOWN EXPLODED VIEW FOR REFERENCE ONLY

4- -3	4- -1	3- -3	3- -1	2- -3	2- -1	1- -3	1- -1	-5	-3	-1	PART NUMBER	
1000	2000	1000	2000	100	2000	10	1000				PACKAGING QTY.	
TUV: 5.0-7.8 mm / UL: 5.5-7.8 mm											CABLE JACKET DIAMETER in mm	
1	-	-	-	-	-	1	-	-	-	-	SOCKET CONTACT, 2.5mm ² /14AWG, STRIP	9
-	1	-	-	1	-	-	-	-	1	-	SOCKET CONTACT, 2.5mm ² /14AWG, LOOSE PIECE	8
1	1	1	1	1	1	1	1	1	1	1	O-RING, 7.1X1.55 (RED)	7
-	-	1	-	-	1	-	-	1	-	1	SOCKET CONTACT, 4~6mm ² /10~12AWG, LOOSE PIECE	6
-	-	-	1	-	-	-	1	-	-	-	SOCKET CONTACT, 4~6mm ² /10~12AWG, STRIP	5
1	1	1	1	1	1	1	1	1	1	1	CABLE SCREW JOINT	4
1	1	1	1	1	1	1	1	1	1	1	PINCH RING SEAL INMOLDED, ASSY	3
1	1	1	1	1	1	1	1	1	1	1	METAL CLIP	2
1	1	1	1	1	1	1	1	1	1	1	PV4-S1 SOCKET CONNECTOR, PLUS CODED	1
QUANTITY PER ASSEMBLY											DESCRIPTION	ITEM No

THIS DRAWING IS A CONTROLLED DOCUMENT.

DIMENSIONS: mm

TOLERANCES UNLESS OTHERWISE SPECIFIED:
 0 PLC ±
 1 PLC ±
 2 PLC ±
 3 PLC ±
 4 PLC ±
 ANGLES ±
 FINISH

MATERIAL

APPROVALS:
 DWN: WANG LORRY 13JUN2014
 CHK: TAO DANIEL 13JUN2014
 APVD: PETER YIN 13JUN2014

PRODUCT SPEC: 108-137077
 APPLICATION SPEC: 114-137077
 WEIGHT: -

CUSTOMER DRAWING

SCALE: 2:1

SHEET 1 OF 1

REV: B4

RESTRICTED TO

TE Connectivity

SOCKET CONNECTOR KITS
 PV4-S1 CONNECTOR, PV4-S1F

SIZE: A2 CAGE CODE: 00779 DRAWING NO: C-2270025