

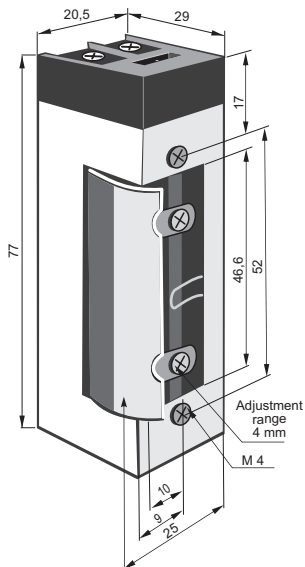
SOUND SIGNAL



FEATURES

- ✓ Acoustic signaling of opening.
- ✓ For narrow profiles.
- ✓ Height 77 mm., width 20,5 mm.
- ✓ Fail - secure (NC) models.
- ✓ Assembling screws distance - 52,5 mm.
- ✓ Latch adjustment - 4 mm.
- ✓ Power supply: 12-24 V AC / DC.
- ✓ Optionally manual release lever, internal automatism (hold - open).
- ✓ Durability: grade C - 200,000 cycles.
- ✓ Category of use - grade 3 - suitable for public buildings.
- ✓ Certificate of Conformity acc. to EN 14846.

TECHNICAL DATA



| Model | Standard | Rel.lever | Hold-Open |
|---------|-------------------------------------|-------------------------------------|-------------------------------------|
| 1710 BB | <input checked="" type="checkbox"/> | | |
| 1720 BB | | <input checked="" type="checkbox"/> | |
| 1733 BB | | | <input checked="" type="checkbox"/> |
| 1743 BB | | <input checked="" type="checkbox"/> | <input checked="" type="checkbox"/> |

| | |
|---------------------------|-------------------------|
| Power supply (V) | 12-24V DC |
| Tolerance (%) | ± 5 % |
| Continuous work | < 1 min. |
| Resistance (Ω) | 20 |
| Powet consumption DC (mA) | 12V / 600 24V / 1400 |
| Max preload DC (N) | 10 |

Recommended front plates: 900, 901, 902,903,913