

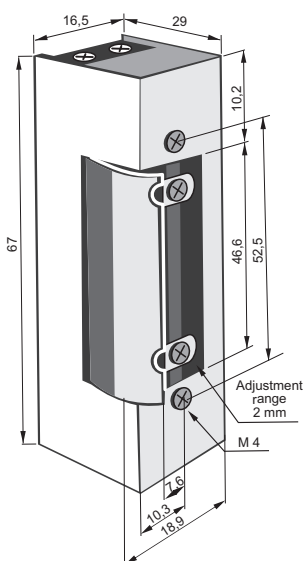
MECHANICAL



FEATURES

- ✓ Mechanical strike with roller function.
- ✓ Universal (left and right hand).
- ✓ Symmetrical and narrow.
- ✓ Height 67 mm., width 16,5 mm.
- ✓ Assembling screws distance 52,5 mm.
- ✓ Latch adjustment - 2 mm.
- ✓ For narrow profiles.
- ✓ Standard strike plates for electric strikes.
- ✓ Used for doors with a pull handle / pull tab.
- ✓ A reinforced spring keeps the door closed.
- ✓ In the day/night function, after special switching mechanical lever to the closed position, the door can be opened with the key only.

TECHNICAL DATA



Model	Strike with roller function
1410 RF-SL	Strike with roller function
1420 RF-SL	Strike with roller function with release lever

Recommended front plates 909, 910