

Horns and Sirens

Your benefits

The loud Horns, Sounders and Sirens from WERMA provide safety and security by delivering reliable audible warning when faults occur over longer distances or in noisy environments.

- Quick and easy installation
- Tamper-proof when installed
- Ideal for noisy environments

Typical applications

Fault signalling

- On machine controllers and on large equipment
- In building service systems (e.g. gas alarm)
- Alarm in the event of overload (e.g. mobile cranes)

Installation options

- Wall mounting

Features

- 574/575 series with ten times longer life duration compared to electromechanical versions
- Up to 8 tones for signalling different statuses



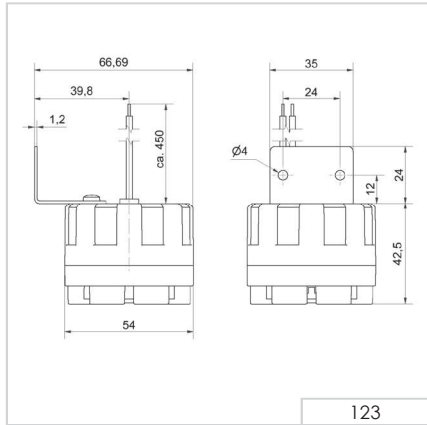


123 Electronic Siren



① TECHNICAL SPECIFICATIONS/ORDER SPECIFICATIONS:		
Dimensions (L x H x W):	54 mm x 67 mm x 67 mm	
Housing:	ABS	
Tone frequency:	2.5 / 3.5 Hz	
Tone type:	Alternating	
Connection:	2 wires, c. 450 mm long	
Fixing:	Metal bracket	
Voltage:	12 V DC	24 V DC
Current consumption:	100 mA	100 mA
Order No.:	123 100 54	123 200 55

↔ TECHNICAL DIAGRAM:



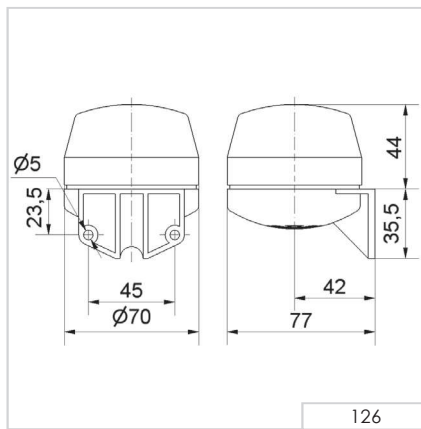
126 Electronic Multi-Tone Sounder



① TECHNICAL SPECIFICATIONS/ORDER SPECIFICATIONS:

Dimensions (L x H x W):	70 mm x 79,5 mm x 77 mm
Housing:	PC/ABS-Blend
Tone types and frequencies:	4 selectable tones adjustable Continuous tone: c. 2,700 Hz Continuous tone: c. 530 Hz Bell: c. 2,700 Hz (pulse 20 Hz) Pulse tone: c. 2,700 Hz (pulse 1 Hz)
Connection:	Screw terminal 0.5 - 1.5 mm ²
Cable entry:	Cable diameter max. 9 mm
Fixing:	Wall mounting, Sound outlet facing downwards
Voltage:	12-24 V DC
Current consumption:	80 mA
Order No.:	126 052 15

↔ TECHNICAL DIAGRAM:



570 Electromechanical Signal Horn



① TECHNICAL SPECIFICATIONS/ORDER SPECIFICATIONS:

Dimensions (L x H x W):	148 mm x 350 mm x 152 mm			
Housing:	PC/ABS-Blend			
Connection:	Screw terminal 0.5 - 2.5 mm ²			
Fixing:	Wall mounting, Sound outlet facing downwards			
Voltage:	24 V AC (50 Hz)	42-48 V AC (50/60 Hz)	115 V AC (50/60 Hz)	230 V AC (50 Hz)
Current consumpt.:	500 mA	250 mA	200 mA	70 mA
Order No.:				

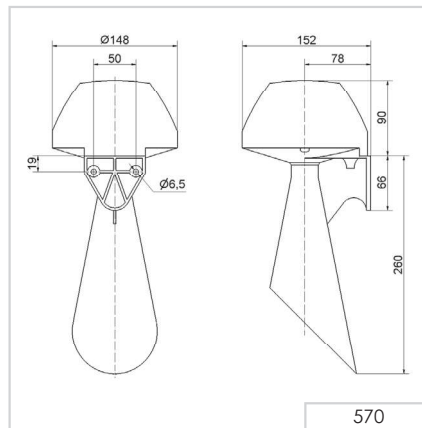
Voltage:				230 V AC (50 Hz)
Current consumpt.:				≤ 70 mA
Order No.:				

Continuous tone (DC)

Voltage:	24 V DC		115 V DC	230 V DC
Current consumpt.:	350 mA		150 mA	100 mA
Order No.:				

Further voltages on request.

↔ TECHNICAL DIAGRAM:



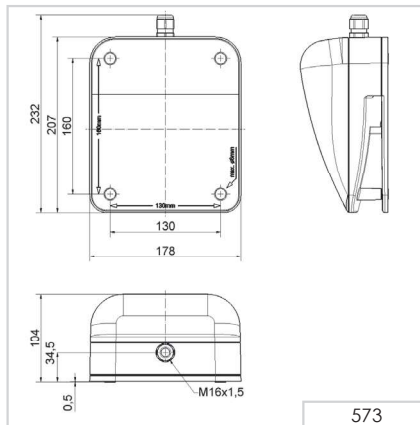
573 Electromechanical Signal Horn



① TECHNICAL SPECIFICATIONS/ORDER SPECIFICATIONS:

Dimensions (L x H x W):	104 mm x 232 mm x 232 mm				
Fixing dimensions (W x H):	130 mm x 160 mm				
Housing:	PC/ABS-Blend				
Connection:	Screw terminal 0.5 - 2.5 mm ²				
Cable entry:	Cable gland M16 x 1.5 mm Cable diameter 5-10 mm				
Fixing:	Wall mounting, Sound outlet facing downwards				
Voltage:	24 V DC	24 V AC (50 Hz)	42-48 V AC (50/60 Hz)	115 V AC (50/60 Hz)	230 V AC (50 Hz)
Current consumption:	350 mA	500 mA	250 mA	200 mA	70 mA
Order No.:					

↔ TECHNICAL DIAGRAM:



574 Electronic Signal Horn

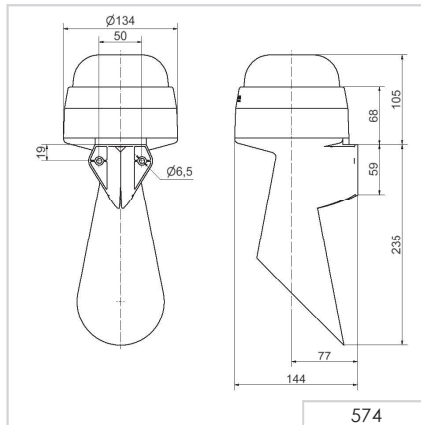


① TECHNICAL SPECIFICATIONS/ORDER SPECIFICATIONS:

Dimensions (Ø x Height):	134 mm x 340 mm		
Housing:	PC/ABS-Blend, grey		
Fixing:	Wall mounting, integrated mounting bracket		
Installation position:	Sound outlet facing downwards		
Connection:	Screw terminal 0.5 - 1.5 mm ²		
Cable entry:	Cable diameter max. 11 mm		
Tone frequency:	C. 110 Hz		
Life duration:	Up to 5,000 hrs		
Voltage:	24 V AC/DC	12-48 V AC/DC*	115-230 V AC
Current consumption:	55 mA	210 mA	30 mA
Order No.:	574 000 75	574 000 70	574 000 60

* Current consumption at 10 V / 115 V

↔ TECHNICAL DIAGRAM:



575 Electronic Signal Horn



Quick and simple wall mounting without additional accessories with the integrated mounting bracket

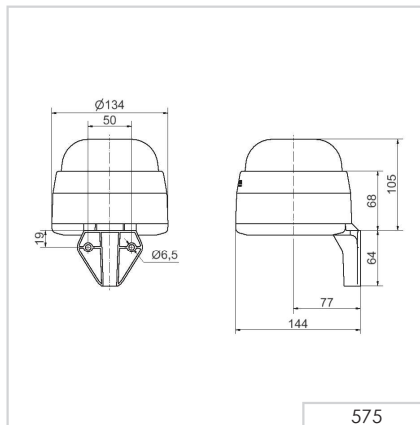


① TECHNICAL SPECIFICATIONS/ORDER SPECIFICATIONS:

Dimensions (L x H x W):	134 mm x 169 mm x 144 mm		
Housing:	PC/ABS-Blend, grey		
Fixing:	Wall mounting, integrated mounting bracket		
Installation position:	Sound outlet facing downwards		
Connection:	Screw terminal 0.5 - 1.5 mm ²		
Cable entry:	Cable diameter max. 11 mm		
Tone frequency:	C, 110 Hz		
Life duration:	Up to 5,000 hrs		
Voltage:	24 V AC/DC	10-48 V AC/DC*	115-230 V AC
Current consumption:	55 mA	210 mA	30 mA
Order No.:	575 000 75	575 000 70	575 000 60

* Current consumption at 10 V / 115 V

↔ TECHNICAL DIAGRAM:



Design Multi-Tone Sounder

Your benefits

WERMA Design Multi-Tone Sounders provide safety and security by providing an audible warning in applications with greater aesthetic requirements. The innovative housing design makes for simple mounting in many diverse applications.

- Ideal signalling effect over great distances
- Many application options with up to 32 tones available
- Up to 3 tones can be externally triggered for the escalation of signals
- Includes standardised tones (including those used in fire alarms)

Typical applications

- Signalling faults or alarms in the event of danger
- in building service systems
- on machinery and equipment

Installation options

- Wall mounting
- Base mounting
- Ceiling mounting

Features

- Up to 32 tones (standardised according to various standards and guidelines)
- Multi-voltage versions allow multiple applications with a single device



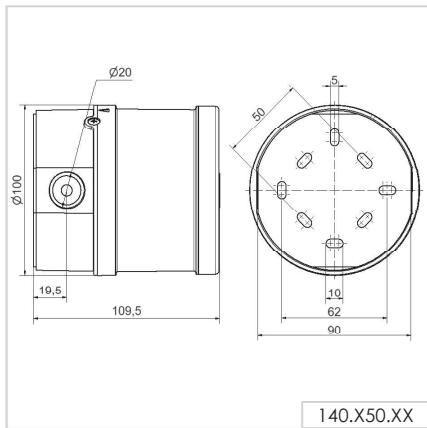
140 Multi-Tone Sounder



① TECHNICAL SPECIFICATIONS/ORDER SPECIFICATIONS:	
Dimensions (Ø x Height):	100 mm x 110 mm
Housing:	PC/ABS-Blend
Connection:	Screw terminal max. 2.5 mm ²
Cable entry:	Cable gland M20 x 1.5 mm Cable gland not included in assembly
Tone types and frequencies:	Selectable via DIP switch, see table page 178
Installation position:	Sound outlet not facing upwards
Voltage:	9-28 V DC
Current consumption:	≤ 120 mA
red	
white	
Voltage:	110-240 V AC
Current consumption:	≤ 40 mA
red	
white	

✂ ACCESSORIES:	
Cable gland M20 x 1.5 mm	975 444 01

↔ TECHNICAL DIAGRAM:



CE	UK CA	EAC	9-28 V 260 g	110-240 V 290 g	with use of rear cable entry IP54	IP65	+70°C -40°C	115 dB	32
----	----------	-----	-----------------	--------------------	---	------	----------------	--------	----

140 Tone table

The 140 Multi-Tone Sounder offers a large choice of internationally recognised signal tones for the widest spectrum of applications. The low voltage version allows two tones to be triggered externally. Selectable via DIP switch.

♪ TONE TYPES AND FREQUENCIES:

Tone 1 No.	Tone type	Description	Sound output (dBA)		Tone 2 Low voltage
			(12 V)	(24 V)	
1	alternating 800/970 Hz in 2 Hz stroke	BS 5839-1: 2002	101	105	14
2	rising 800/970 Hz in 7 Hz stroke		103	107	14
3	rising 800/970 Hz in 1 Hz stroke	BS 5839-1: 2002; VdS tested	104	108	14
4	continuous 2,850 Hz		110	115	14
5	rising 2,400-2,850 Hz in 7 Hz stroke		108	114	4
6	rising 2,400-2,850 Hz in 1 Hz stroke		109	115	4
7	500-1,200 Hz rising in 3 sec., 0.5 sec OFF		100	104	14
8	falling 1,200-500 Hz in 1 Hz stroke	DIN 33404; VdS tested	99	104	14
9	alternating 2,400/2,850 Hz in 2 Hz stroke		108	115	4
10	pulse 970 Hz in 0.5 Hz stroke	Back-up-alarm BS 5839 Part 1 1988	98	105	14
11	alternating 800/970 Hz in 1 Hz stroke	BS5839 Part 1 1988	100	105	14
12	pulse 2,850 Hz in 0.5 Hz stroke		107	114	4
13	970 Hz pulse: 0.25 sec. ON / 1 sec. OFF		96	105	14
14	continuous 970 Hz	BS 5839-1: 2002	101	105	15
15	554 Hz/100 ms alternating 440 Hz/400 ms	French alarm signal AFNOR NFS 32 S 32-001	97	102	14
16	660 Hz pulse: 150 ms ON, 150 ms OFF	Swedish alarm signal	97	101	17
17	660 Hz pulse: 1.8 sec. ON, 1.8 sec. OFF	Swedish alarm signal	97	103	16
18	660 Hz pulse: 6.5 sec. ON, 13 sec. OFF	Swedish alarm signal	99	103	14
19	continuous 660 Hz	Swedish alarm signal	99	103	21
20	alternating 554/440 Hz in 0.5 Hz stroke		99	103	21
21	pulse 660 Hz in 1 Hz stroke	Swedish alarm signal	98	104	19
22	2,850 Hz pulse: 150 ms ON, 100 ms OFF	Pedestrian crossing GB	109	115	14
23	rising 800/970 Hz in 50 Hz stroke	Low frequency BS 5839 Part 1 1988	101	106	14
24	rising 2,400-2,850 Hz in 50 Hz stroke	High frequency	106	112	4
25	970 Hz pulse: 3 x 500 ms ON, 500 ms OFF, Pause 1.5 sec.	ISO 8201 Low frequency: Evacuation	101	105	26
26	2,850 Hz pulse: 3 x 500 ms ON, 500 ms OFF, Pause 1.5 sec.	ISO 8201 High frequency	109	115	25
27	970/800 Hz alternating: 1.5 s ON, 0.5 s OFF		96	105	17
28	alternating 800/970 Hz in 2 Hz stroke	FP 1063.1 -Telecoms/BS 5839-1: 2002	99	105	10
29	alternating 988/645 Hz in 2 Hz stroke		99	104	988 Hz cont. tone
30	alternating 510/610 Hz in 2 Hz stroke		97	102	510 Hz cont. tone
31	falling 1,200-300 Hz in 1 Hz stroke		99	104	13
32	alternating 510/610 Hz in 1 Hz stroke		97	102	510 Hz cont. tone



144 Multi-Tone Sounder



Base Mounting

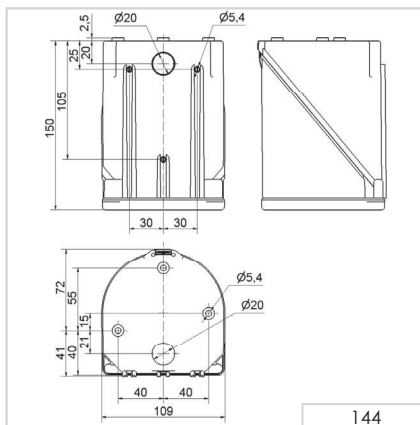


Wall mounting

① TECHNICAL SPECIFICATIONS/ORDER SPECIFICATIONS:			
Dimensions (L x H x W):	109 mm x 113 mm x 150 mm		
Housing:	PC/ABS-Blend		
Connection:	24 V: Screw terminal 0.5 - 1.5 mm ² 115/230 V: CAGE CLAMP®		
Cable entry:	Membrane for cable diameter max. 13 mm		
Fixing:	Wall, base and ceiling mounting		
Tone types and frequencies:	Selectable via DIP switch, see table on page 180		
Voltage:	24 V AC/DC	115 V AC	230 V AC
Current consumption:	200 mA	55 mA	30 mA
Order No.:			

✂ ACCESSORIES:	
Cable gland M20 x 1.5 mm (for cable strain relief)	975 444 01
Protection rating IP 65 is provided even without cable gland	

↔ TECHNICAL DIAGRAM:



			24 V 	115 V / 230 V 			(A) 	(C) 	24 V 	
--	--	--	----------	-------------------	--	--	---------	---------	----------	--



144 Tone table

The 144 Multi-Tone Sounder offers a large choice of internationally recognised signal tones for the widest spectrum of applications. 3 tones can be triggered externally.

♫ TONE TYPES AND FREQUENCIES:

Tone 1	Tone type	Frequency (Hz)	Description	Use	Tone 2	Tone 3	Output (dB)
1	continuous	200		BS 5839-1:2002	440 Hz cont.	554 Hz cont.	97
2	rising	800 & 970	7 Hz		14	800 Hz cont.	102
3	rising	800 & 970	1 Hz		14	800 Hz cont.	103
4	continuous	2850	3 s, then 0.5 s OFF (then repeat)		14	9	104
5	rising	2400 - 2850	7 Hz		4	2400 Hz cont.	109
6	rising	2400 - 2850	1 Hz		4	2400 Hz cont.	110
7	rising	500 - 1200	3 s, then 0.5 s OFF (then repeat)		14	8	106
8	falling	1200 - 500	1 Hz	DIN 33404-3	14	7	104
9	alternating	2400 & 2850	2 Hz		4	2400 Hz cont.	111
10	pulse	970	0.5 Hz (1 s On/1 s Off)	BS 5839 Part 1 1988	14	800 Hz cont.	101
11	alternating	800 & 970	1 Hz	BS 5839 Part 1 1988	14	800 Hz cont.	105
12	pulse	2850	0.5 Hz		4	22	104
13	pulse	970		0,25 s On/1 s Off	14	800 Hz cont.	98
14	continuous	970		BS 5839-1:2002 PFEER - Toxic gas	10	8	102
15	alternating	554 & 440		France NFS	14	800 Hz cont.	101
16	pulse	660	150 ms On/150 ms Off	Swedish	16	14	96
17	pulse	660	1.8 s On/1.8 s Off	Swedish	17	14	98
18	pulse	660	6.5 s On/13 s Off	Swedish	18	14	98
19	continuous	660		Swedish	19	31	98
20	alternating	554 & 440	0.5 Hz		20	19	102
21	pulse	660	1 Hz	Swedish	21	4	97
22	pulse	2850	150 ms On/100 ms Off	GB	14	4	104
23	rising	800 - 970	50 Hz (low)	BS 5839 Part 1 1988	14	800 Hz cont.	102
24	rising	2400 - 2850	50 Hz (high)		4	2400 Hz cont.	109
25	pulse	970	3 x 500 ms ON/500 ms OFF / 1.5 s silence, then repeat (low)	ISO 8201 US Temporal	26	14	101
26	pulse	2850	3 x 500 ms ON/500 ms OFF / 1.5 s silence, then repeat (high)	ISO 8201 US Temporal	25	4	104
27	continuous	4000			27	6	92
28	rising	2000 - 2850	7 Hz		2000 Hz cont.	4	111
29	alternating	988 & 645	2 Hz		988 Hz cont.	645 Hz cont.	102
30	alternating	510 & 610	2 Hz		510 Hz cont.	610 Hz cont.	102
31	alternating	800 & 970	2 Hz	5839-1:2002	800 cont.	14	105
32	alternating	800 & 1200	1 Hz		800 cont.	1200 Hz cont.	105



Vocal alarm

Your benefits

This extremely loud Vocal Alarm provides the ability to play application-specific audio files in order to produce clear and targeted instructions. It is particularly suitable for large assembly facilities and can address defined groups of people (for example, a particular work unit) in a targeted manner.

- Reliable alarm output over long distances or in noisy environments
- Easy to adjust to local conditions
- Excellent audio and sound quality for optimum clarity of signalling
- Completely flexible; select the audio file yourself

Typical applications

Signalling faults or issuing specific instructions

- For areas with high ambient noise levels
- In production and assembly environments

Installation options

- Wall mounting

Features

- Plays customer-specific audio files (sounds, melodies and your own recorded messages)
- 15 files can be played, or a sequence with a maximum of 50 files
- Simple USB data transfer
- Sound output can be externally triggered up to 110 dB



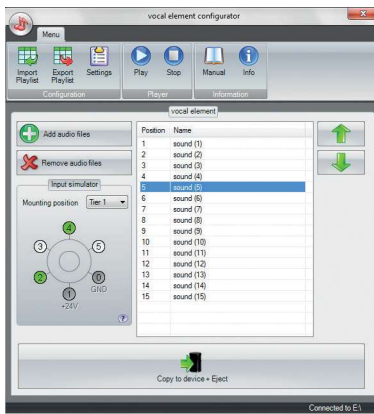
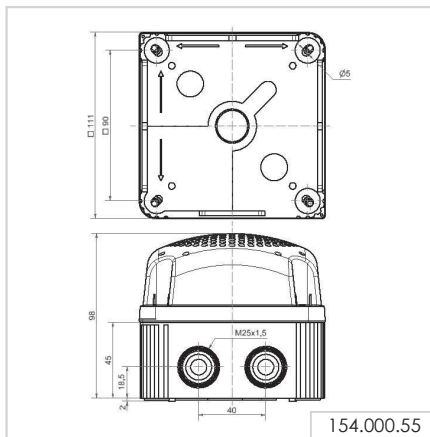
154 Vocal alarm



Vocal alarm 154

① TECHNICAL SPECIFICATIONS/ORDER SPECIFICATIONS:	
Dimensions (L x H x W):	111 mm x 98 mm x 111 mm
Housing:	PP-GF, PC/ABS Blend
Sound output:	Adjustable, up to 110 dB
File Transfer:	Via USB connection and provided software
Possible data format:	mp3 and wav files
Number of sequences:	15 files can be remotely triggered or one sequence with max. 50 files
Suitable for:	Windows®, System requirements - see Handbook
Assembly:	Vocal alarm , USB connection cable and software
Voltage:	24 V DC
Current consumption:	< 500 mA Low Power < 1500 mA High Power
Order No.:	

↔ TECHNICAL DIAGRAM:



User-friendly software ensures easy transfer of audio files and simple operation



Heavy Duty Multi-Tone Sounder

Your benefits

The robust housings of WERMA Heavy Duty Multi-Tone Sounders are particularly well-suited for use in public areas or in harsh industrial environments. Versions with an aluminium housing and separate certification (German Lloyd) are available for marine applications.

- Ideal in extremely noisy environments and over long distances
- Many application options with up to 42 tones
- Up to 3 tones can be externally triggered for the escalation of signals
- Includes standardised tones (including those used in fire alarms)

Typical applications

Signalling of faults and alarms

- outdoors in extreme conditions
- in larger industrial plants
- in maritime applications

Installation options

- Wall mounting

Features

- High protection rating up to IP67
- Multi-voltage versions allow multiple applications with a single device



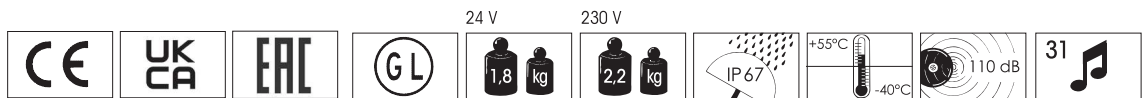
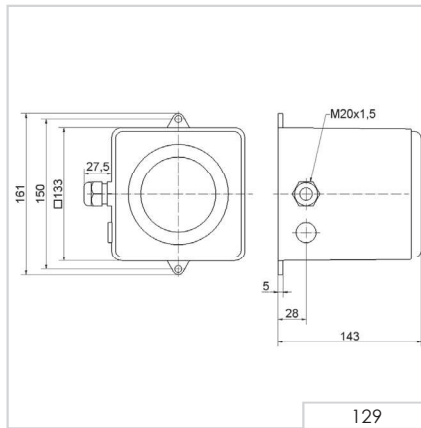
129 Electronic Multi-Tone Sounder (110 dB)



① TECHNICAL SPECIFICATIONS/ORDER SPECIFICATIONS:

Dimensions (L x H x W):	143 mm x 161 mm x 161 mm		
Housing:	Die-cast aluminium		
Connection:	Screw terminal 0.5 - 2.5 mm ²		
Cable entry:	Cable gland M20 x 1.5 mm Cable diameter 8-12 mm		
Tone types and frequencies:	Selectable via DIP switch, see table page 185		
Voltage:	24 V DC	115 V AC	230 V AC
Current consumption:	400 mA	120 mA	60 mA
Order No.:	129 052 55	129 052 67	129 052 68

↔ TECHNICAL DIAGRAM:



129 Tone table

The 129 Multi-Tone Sounder offers a large choice of internationally recognised signal tones for the widest spectrum of applications.

🎵 TONE TYPES AND FREQUENCIES:

Tone 1+2 No.	Tone type	Description
1	falling 1,200-500 Hz in 1 Hz stroke	DIN 33404
2	950 Hz pulse: 3 x 500 ms ON, 500 ms OFF, Pause 1.5 sec.	ISO 8201
3	alternating 825 Hz/1,025 Hz in 2 Hz stroke	
4	continuous 950 Hz	
5	950 Hz pulse: 1 sec. ON, 1 sec. OFF	
6	500-1,200 Hz rising and falling in 3 sec.	Siren
7	554 Hz/100 ms alternating 440 Hz/400 ms	French fire alarm signal AFNOR NFS 32 S 32-001
8	pulse 700 Hz: 150 ms ON, 150 ms OFF, cycle 1 Min.	
9	pulse 800 Hz: 4 ms ON, 4 ms OFF	
10	continuous 500 Hz	
11	continuous 725 Hz	
12	continuous 825 Hz	
13	continuous 1,250 Hz	
14	continuous 1,500 Hz	
15	pulse 500 Hz: 500 ms ON, 500 ms OFF	
16	pulse 825 Hz: 500 ms ON, 500 ms OFF	
17	pulse 725 Hz: 0.7 sec. ON, 0.3 sec. OFF	
18	pulse 800 Hz: 0.25 sec. ON, 1 sec. OFF	
19	alternating 800 Hz/1,000 Hz in 2 Hz stroke	
20	pulse 825 Hz: 2.5 sec. ON, 2.5 sec OFF x 7, then 7 sec. pulse	
21	pulse 950 Hz: 1 sec. ON, 1 sec. OFF, 3 sec. ON, 1 sec. OFF	
22	rising 500-1,200 Hz in 3 sec., 0.5 sec OFF	
23	rising 500-2,400 Hz in 3 sec.	
24	alternating 825 Hz/1,075 Hz in 1 Hz stroke	
25	alternating 500 Hz/900 Hz in 2 Hz stroke	
26	alternating 1,200 Hz/1,400 Hz in 25 Hz stroke	
27	rising 300-1,200 Hz in 3 sec.	
28	700-1,500 Hz rising and falling in 3 sec.	
29	rising 150-1,000 Hz in 10 sec., 40 sec. ON, falling in 10 sec.	
30	pulse 680 Hz: 0.875 sec. ON, 0.875 sec. OFF	
31	rising 1,400-1,600 Hz in 1 sec., falling in 0.5 sec.	





139 Electronic Multi-Tone Sounder (105 dB)



TECHNICAL SPECIFICATIONS/ORDER SPECIFICATIONS:

Dimensions (L x H x W):	136 mm x 108 mm x 119 mm	
Housing:	ABS	
Connection:	Screw terminal 0.5 - 2.5 mm ²	
Cable entry:	Cable gland M20 x 1.5 mm (not included in assembly)	
Tone types and frequencies:	Selectable via DIP switch	
Voltage:	9-60 V DC	115/230 V AC
Current consumption:	15 mA (24V)	20 mA (230 V)
red	139 000 55	139 000 68
grey	139 100 55	139 100 68

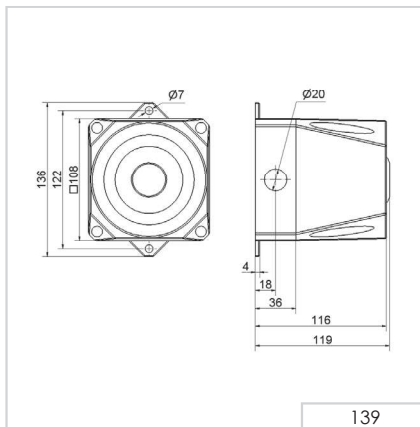
ACCESSORIES:

Cable gland M20 x 1.5 mm	975 444 01
--------------------------	-------------------

TONE TYPES AND FREQUENCIES:

For further details see www.werma.com.

TECHNICAL DIAGRAM:



141 Electronic Multi-Tone Sounder (110 dB)



① TECHNICAL SPECIFICATIONS/ORDER SPECIFICATIONS:

Dimensions (L x H x W):	165 mm x 136 mm x 132 mm	
Housing:	PC/ABS-Blend	
Connection:	Screw terminal 0.5 - 2.5 mm ²	
Cable entry:	Cable gland M20 x 1.5 mm (not included in assembly)	
Tone types and frequencies:	Selectable via DIP switch	
Voltage:	9-60 V DC	115/230 V AC
Current consumption:	120 mA (24V)	22 mA (230 V)
red	141 000 55	141 000 68
grey	141 100 55	141 100 68

✂ ACCESSORIES:

Cable gland M20 x 1.5 mm	975 444 01
--------------------------	-------------------

♪ TONE TYPES AND FREQUENCIES:

For further details see www.werma.com.

↔ TECHNICAL DIAGRAM:

