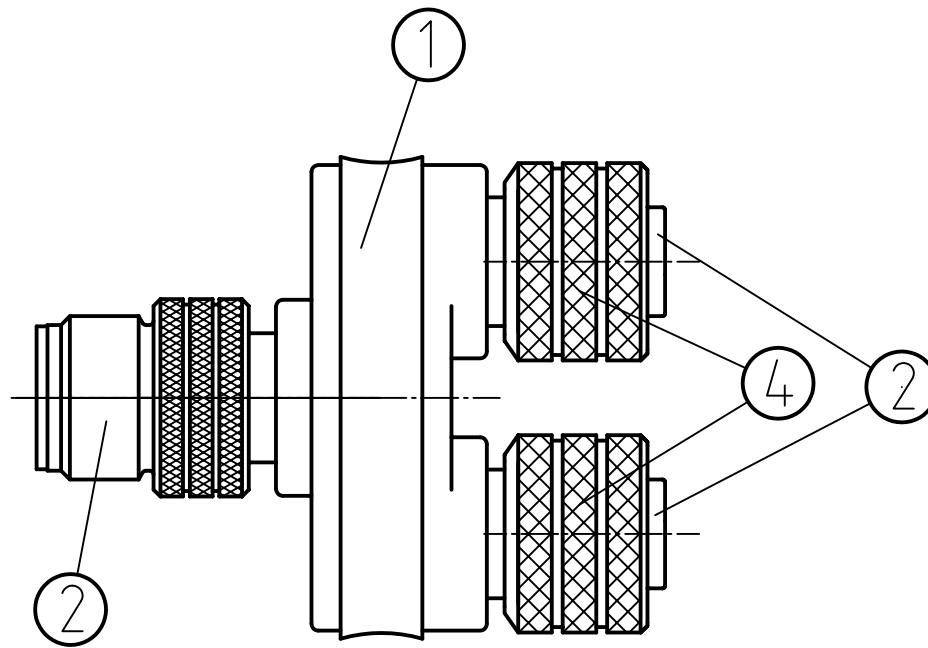
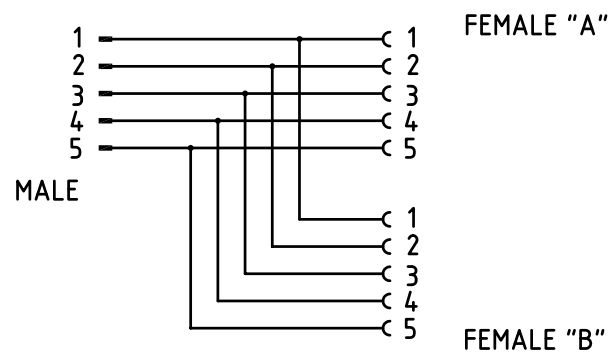


WIRING SCHEMATIC



MATERIAL NUMBER	ENGINEERING NUMBER
1200680137	0812-05EMF-00001

ITEM	COMPONENT	MATERIAL	FINISH
5	O-RING	VITON	RED
4	COUPLER	BRASS	NICKEL PLATED
3	PIN CONTACT	COPPER ALLOY	GOLD OVER NICKEL
2	INSERT	PUR	BLACK
1	OVERMOLD	PUR	BLACK

DESCRIPTION EC NO: WEU2010-0371 DRWN: BBRAUCH 2010/02/16 CH'KD: NS APPR: NSTAUDIG 2010/02/24	QUALITY SYMBOLS ▽ = 0 ∇ = 0	GENERAL TOLERANCES (UNLESS SPECIFIED) mm INCH 4 PLACES ± --- ± --- 3 PLACES ± --- ± --- 2 PLACES ± --- ± 0.01 1 PLACE ± 0.3 ± --- ANGULAR ± --- °	DIMENSION STYLE IN/MM DRAWN BY DATE BBRAUCH 2010/02/16 CHECKED BY DATE NS 2010/02/17 APPROVED BY DATE NSTAUDIG 2010/02/18	SCALE 2:1 DESIGN UNITS METRIC	THIRD ANGLE PROJECTION	
	DRAFT WHERE APPLICABLE MUST REMAIN WITHIN DIMENSIONS		SEE TABLE	M12-TEE-5P-M/FE-FE V2		
	SIZE A3		THIS DRAWING CONTAINS INFORMATION THAT IS PROPRIETARY TO MOLEX INCORPORATED AND SHOULD NOT BE USED WITHOUT WRITTEN PERMISSION		MOLEX INCORPORATED SD-120068-031 SHEET NO. 1 OF 1	
	1 REV		MOLEX INCORPORATED		SD-120068-031	