

Installation Buzzers and Sounders

Your benefits

WERMA Installation Buzzers and Sounders have been specifically designed for easy installation in control panels.

- Quick and easy installation
- Tamper-proof when installed
- Minimal protrusion from panel installations where space is tight

Typical applications

Signalling faults or status messages

- in control cabinets

Installation options

- Installation mounting

Features

- Proven piezo technology (except 338, 382)

107, 109, 110, 111

- High IP65 protection rating for outdoor applications
- Easy to connect using a plug-in connection
- Up to 8 tones for signalling different statuses



107 Electronic Installation Buzzer

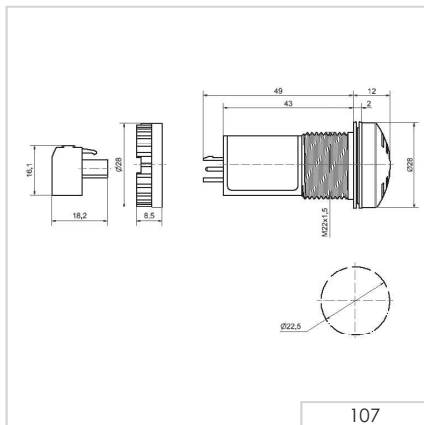


① TECHNICAL SPECIFICATIONS/ORDER SPECIFICATIONS:		
Dimensions (Ø x Height):	28 mm x 12 mm (Protrusion from panel)	
Housing:	PA fibreglass, high-impact	
Tone frequency:	c. 2,400 Hz / c. 3,200 Hz (12 V)	
Tone type:	Continuous tone or pulse tone with approx. 1 Hz	
Fixing:	Installation mounting for Ø 22.5 mm (M22)	
Connection:	Connector plug with screw terminal max. 1.5 mm ²	
Life duration:	> 5,000 hrs	
Voltage:	12-24 V AC/DC	115-230 V AC
Current consumption:	8 mA	12 mA
Continuous tone	107 000 70	107 000 60
Pulse tone	107 010 70	107 010 60

↔ TECHNICAL DIAGRAM:



Simple connection by means of connector plug



High protection rating IP 65 for use in arduous conditions

107 0X0 7X
107 0X0 68



109 Electronic Installation Buzzer



Surface housing (accessory)

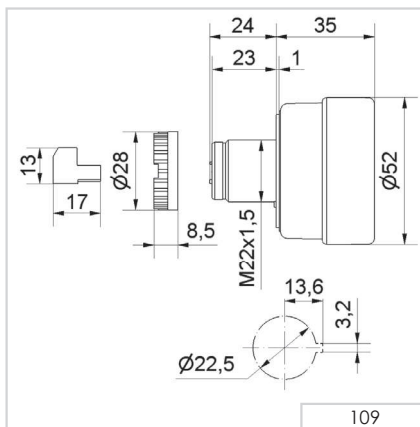


Surface housing (triple) for 2 beacons and 1 audible element (not included in assembly)

① TECHNICAL SPECIFICATIONS/ORDER SPECIFICATIONS:			
Dimensions (Ø x Height):	52 mm x 35 mm (Protrusion from panel)		
Housing:	PC/ABS-Blend; Cap: PC		
Tone frequency:	c. 2,100 Hz		
Tone type:	Continuous tone or pulse tone with approx. 1 Hz		
Fixing:	Installation mounting for Ø 22.5 mm (M22) with anti-twist device		
Connection:	Connector plug with screw terminal max. 1.5 mm ²		
Life duration:	> 5,000 hrs		
Voltage:	24 V AC/DC	115 V AC/DC	230 V AC
Current consumption:	25 mA	25 mA	25 mA
Continuous tone	109 000 75	109 000 77	109 000 68
Pulse tone	109 010 75	109 010 77	109 010 68

✂ ACCESSORIES:	
Bracket with protective cap (IP54), only 24 V	975 109 01 (see picture on page 193)
Single surface housing	975 109 02
Double surface housing	975 109 03
Triple surface housing	975 109 04
Assembly comprises of only the surface housing. Beacons 800-802 or 815-817 have to be ordered additionally.	

↔ TECHNICAL DIAGRAM:





Surface housing (accessory)



Bracket (accessory)

① TECHNICAL SPECIFICATIONS/ORDER SPECIFICATIONS:

Dimensions (Ø x Height):	72 mm x 40 mm (Protrusion from panel)		
Housing:	PC/ABS-Blend; Cap: PC		
Sound output:	Max. 100 dB (sound output is adjustable on rear side when mounted)		
Fixing:	Installation mounting for Ø 22.5 mm (M22) with anti-twist device		
Connection:	Connector plug with screw terminal max. 1.5 mm ²		
Life duration:	> 5,000 hrs		
Voltage:	24 V AC/DC	115 V AC	230 V AC
Current consumption:	80 mA	40 mA	40 mA
Order No.:	110 000 75	110 000 67	110 000 68

♪ TONE TYPES AND FREQUENCIES:

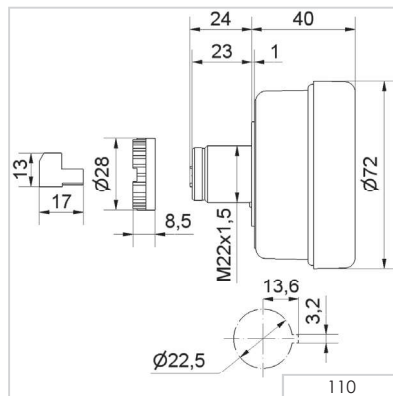
8 tones selectable on rear side of the housing

	position 0		1.6 kHz	86 dB (A)
	position 1		1.6 kHz	86 dB (A)
	position 2		1.6 kHz	86 dB (A)
	position 3		1.6 kHz	88 dB (A)
	position 4		3.4 kHz	90 dB (A)
	position 5		3.4 kHz	100 dB (A)
	position 6		3.4 kHz	96 dB (A)
	position 7		3.4 kHz	100 dB (A)

✂ ACCESSORIES:

Bracket with protective cap (IP 54)	975 109 01
Surface housing IP 65 (single)	975 109 02
Surface housing IP 65 (double) for 1 installation beacon and 1 Installation siren	975 109 03
Surface housing IP 65 (triple) for 2 installation beacons and 1 Installation siren	975 109 04

↔ TECHNICAL DIAGRAM:





With its minimum level of protrusion the installation buzzer 111 is ideal for control panel applications

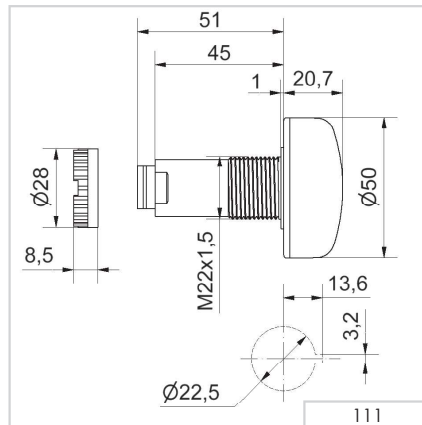


Simple installation with single hole mounting for M22

① TECHNICAL SPECIFICATIONS/ORDER SPECIFICATIONS:

Dimensions (Ø x Height):	50 mm x 22 mm (Protrusion from panel)	
Housing:	PC/ABS-Blend, black; Cap: PC	
Tone frequency:	c. 2,800 Hz	
Tone type:	Continuous or pulse tone	
Fixing:	Installation mounting for Ø 22.5 mm (M22 x 1.5 mm)	
Connection:	Connector plug with screw terminal max. 1.5 mm ²	
Life duration:	> 5,000 hrs	
Assembly:	Nut and seal included in assembly	
Voltage:	24 V DC	230 V AC
Current consumption:	25 mA	20 mA
Continuous tone	111 000 55	111 000 68

↔ TECHNICAL DIAGRAM:



338 AC Installation Buzzer



338 373

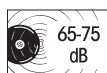
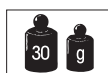
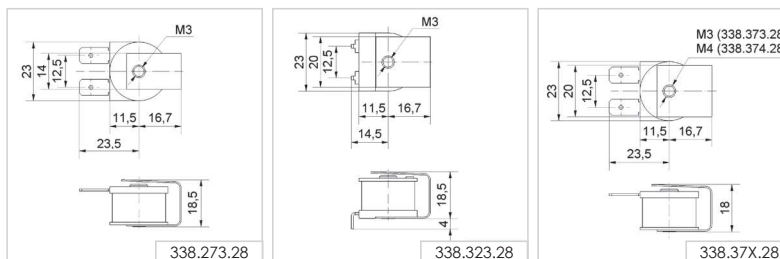


338 323

① TECHNICAL SPECIFICATIONS/ORDER SPECIFICATIONS:

Dimensions (L x H x W):	23 mm x 18.5 mm x 35 mm (338 273)	
Material:	PC/ABS-Blend, black; Cover: PC	
Mounting:	As required	
Fixing:	M3 or M4 thread	
230 V AC, c. 65 dB, spades, fixing: M3		338 273 28
230 V AC, c. 75 dB, solder lugs for printed circuits, fixing: M3		338 323 28
230 V AC, c. 75 dB, spades, 6.3 x 0.8 mm, fixing: M3		338 373 28
230 V AC, c. 75 dB, spades, 6.3 x 0.8 mm, fixing: M4		338 374 28
Further voltages on request.		

↔ TECHNICAL DIAGRAM:



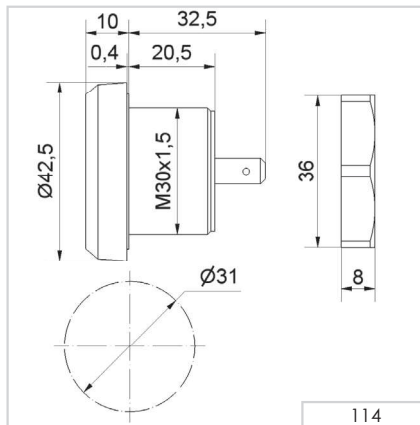
114 Electronic Installation Buzzer



① TECHNICAL SPECIFICATIONS/ORDER SPECIFICATIONS:

Dimensions (Ø x Height):	42.5 mm x 10 mm (Protrusion from panel)	
Housing:	PC/ABS-Blend; Nut: PA fibreglass, high-impact	
Connection:	Spades 6.3 x 0.8 mm, finger proof model according to BGV A2, when used with insulated spades	
Tone frequency:	c. 2,400 Hz	
Fixing:	Installation mounting for Ø 30.5 mm (M30)	
Voltage:	24 V DC (12-30 V)	230 V AC (110-240 V)
Current consumption:	20 mA	20 mA
Order No.:	114 068 15	114 068 28

↔ TECHNICAL DIAGRAM:



118/119 Electronic Installation Buzzer



Cap

① TECHNICAL SPECIFICATIONS/ORDER SPECIFICATIONS:

Dimensions (Ø x Height):	43 mm x 49 mm (Protrusion from panel)				
Housing:	PC/ABS-Blend				
Connection:	Spades 6.3 x 0.8 mm, finger proof model according to BGV A2, when used with insulated spades				
Tone frequency:	c. 2,400 Hz				
Tone type:	Type 118 Continuous tone Type 119 Continuous tone and pulse tone, c. 1 Hz, selectable via plug-in terminal Version with 3 tones: 2.7 kHz, 270 Hz, 337 Hz				
Fixing:	Installation mounting for Ø 28.5 mm (M28)				
Voltage:	12 V DC	24 V AC/DC	48 V AC/DC	115 V AC/DC	230 V AC
Current consumption:	20 mA	20 mA	20 mA	20 mA	20 mA
Continuous tone	118 068 14	118 068 15	118 068 26	118 068 27	118 068 28
Continuous/pulse tone	-	119 068 15	119 068 26	119 068 27	119 068 28
Voltage:	24 V DC (9-29 V DC)				
Current consumption:	< 30 mA (Tone 1)				
3 tones		119 004 55			

✂ ACCESSORIES:

Cap	975 118 00
-----	-------------------

↔ TECHNICAL DIAGRAM:

