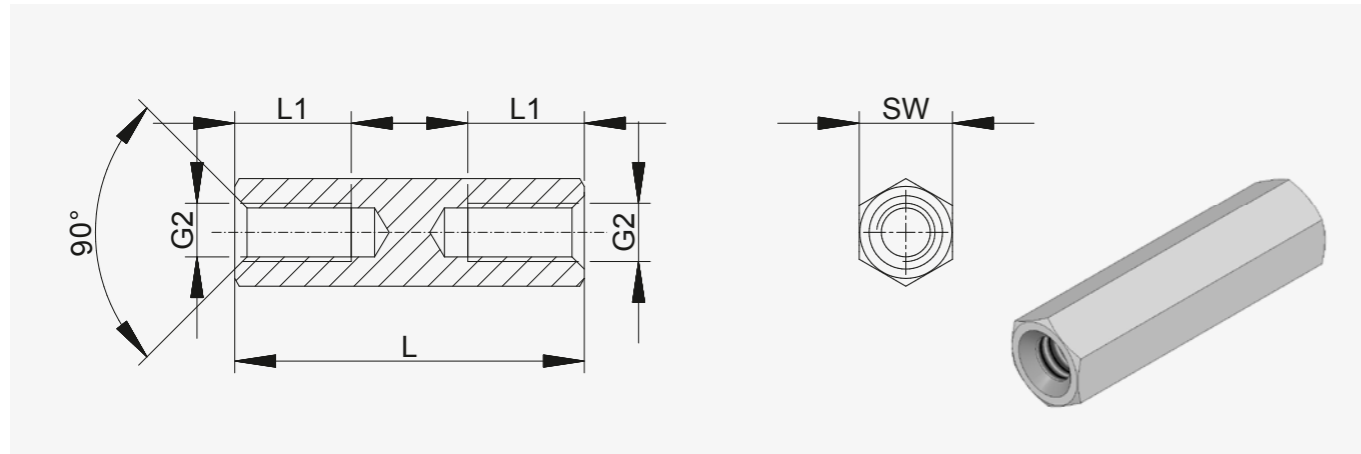


Spacer bolts with metric threads

Stainless steel



Spacer bolts

- Type** hexagonal
- Design** internal / internal
- Material** stainless steel 1.4305
- Surface** uncoated
- MOQ** 100 pcs

Internal thread lengths [mm]

L	L1 with M2	L1 with M2.5 to M3	L1 with M4	L1 with M5	L1 with M6	L1 with M8
5	5	5	5	5	5	5
8	8	8	8	8	8	8
10	10	10	10	10	10	10
12	12	12	12	12	12	12
15	6	7	15	15	15	15
18	6	7	9	9	9	18
20	6	7	9	10	10	20
25	6	7	9	10	12	12
from 30	6	7	9	10	12	14

Minimum tensile strength: 750 N / mm²
Tolerance for length dimensions: +/- 0.1 mm
(DIN 2678-m applies for SW13)

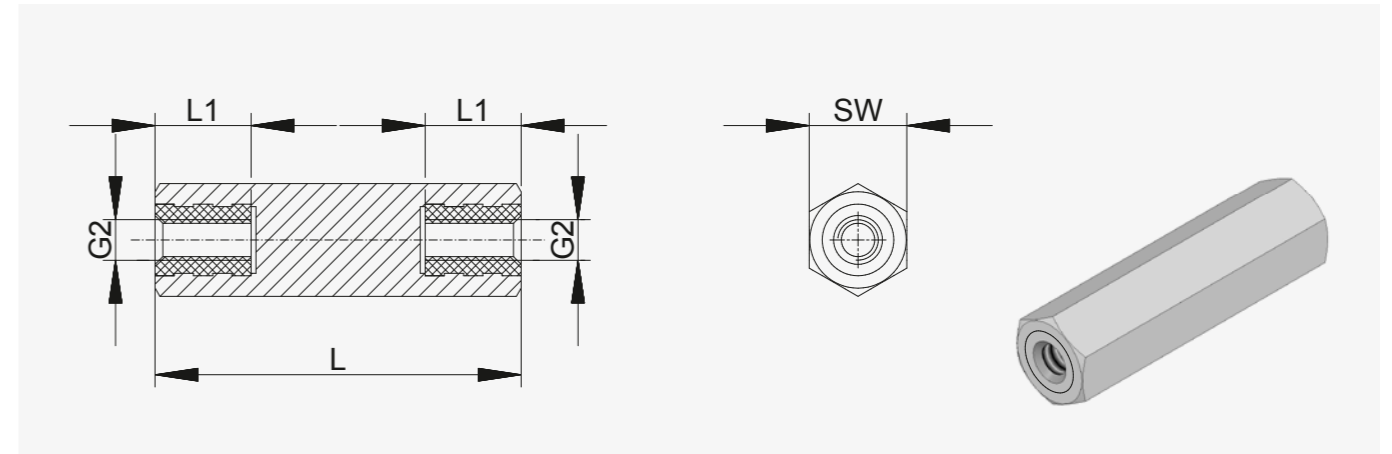
Order number	Hexagonal size (SW)	Thread (G2)	Standard lengths in mm (L)																			
			05	08	10	12	15	18	20	25	30	35	40	45	50	55	60					
141 x (length)	SW5	M2																				
142 x	SW5	M2.5																				
144 x	SW5.5	M3																				
146 x	SW7	M4																				
148 x	SW8	M5																				
149 x	SW10	M6																				
1413 x	SW13	M8																				

Order sample: 146 x 50 = DII / 1.4305 / SW7 / M4 x 50



Spacer bolts with metric threads

Polyamide with brass threads



Spacer bolts

- Type** hexagonal
- Design** internal / internal
- Material body** polyamide 6.6
- Material thread** brass CuZn39Pb3, uncoated
- Colour** white / nature
- MOQ** 100 pcs

Strength / resistance values

Thread lengths [mm]		Torques [Nm]			Pull-out force [N]		
G2	L1	SW6	M2.5	1.3	SW6	M2.5	300
M2.5	6	SW6	M3	1.3	SW6	M3	300
M3	6	SW8	M4	3.0	SW8	M4	600
M4	6	SW10	M5	4.5	SW10	M5	800
M5	6						

Contact resistance: ~ 10¹² Ohm / cm
Dielectric strength: 50 kV / mm
Tolerance for length dimensions: +/- 0.2 mm

Order number	Hexagonal size (SW)	Thread (G2)	Standard lengths in mm (L)
1182 x (length)	SW6	M2.5	15-65
1183 x	SW6	M3	15-65
1186 x	SW8	M4	15-65
1188 x	SW10	M5	15-70

Order sample: 1186 x 30 = DII / brass-polyamide / SW8 / M4 x 30

Attention: The pull-out force and torques values may vary depending on application and ambient influences (for example temperature, air humidity, etc.). Additional tests are to be performed on critical components. DREMEC Befestigungselemente GmbH shall assume no liability for strength / resistance values.

