

Desktop Lamps With Magnifier Quick Start Guide

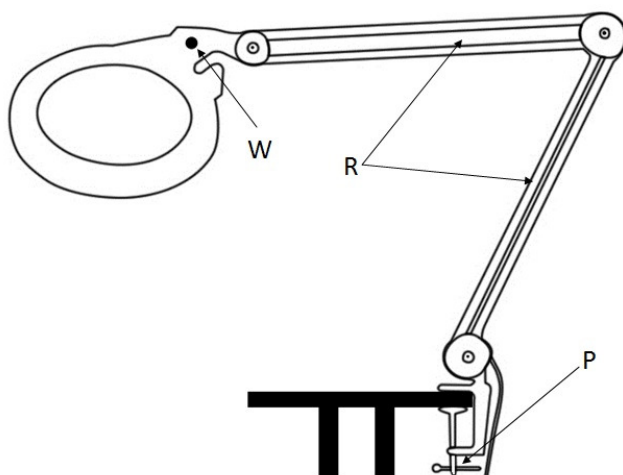
1. Introduction

Dear Customer! Thank you for your purchase in TME! To protect the environment we have prepared for you this quick start guide. Before operating the unit, please read it carefully. Please visit www.tme.eu Illustrations in this manual are only example images and may differ from the actual item. It does not change their main characteristics.

2. Application

This device is designed for precision works and makes operation on small parts easier.

3. Unit setup and operation



W - Power on switch

R - Adjustable arms

P - Clamping screw

- Mount the lamp grip securely to the edge of the table or desk using clamping screw.
- Position the lamp according to your needs using adjustable arms.
- Plug the power cord into the appropriate outlet.
- Turn on the lighting power using the button.

4. Precautions



Transfer Multisort Elektronik Sp. z o.o.

ul. Ustronna 41, 93-350 Łódź, Poland, correspondence address: 90-951 Łódź 40, PO BOX 2071
tel. +48 42 645 54 44, fax +48 42 645 54 70, export@tme.eu, www.tme.eu

VAT ID: PL7290108984, REGON (NACE): 473171710, District Court for Łódź-Śródmieście, NCR: 0000165815, initial capital: 3 300 000 PLN

- To protect from harm, danger of personal injury, electric shock, fire or explosion, observe the following safety rules. Breaching of safety rules poses a threat to life and health. Keep this manual and the safety information in an easily accessible place near the device.
- The power cord can be connected only to a dedicated electrical outlets or grounded extension cords.
- Before inserting the plug into the socket, make sure that the tool switch is in the off position.
- Always disconnect the power cord before replacing the lamp, the fuse or additional accessories.
- Do not damage the power cord. Do not carry the tool by the power cord and do not unplug by pulling the cord. Power cord and plug have to be replaced together (compatible with original).
- During operation, hold the tool by insulated parts such as handle or grip designed for this purpose and avoid body contact with conductive and grounded parts (pipes, radiators, etc.).
- Keep the device away from children.
- Do not expose the device to direct sunlight, rain, etc.
- Do not turn on the unit immediately after moving it from a cold to a warm room. Condensation may damage the device.
- Use as intended; improper use may cause damage, electric shock, injury or death.
- Repairs should be performed by qualified service centre using appropriate parts.
- It is forbidden to make any construction modifications to the device. Unauthorised construction modifications will result in loss of warranty, and may also cause a malfunction or an accident.
- Do not exceed the rated operating parameters.
- Use only light sources dedicated by the manufacturer.
- Worn electrical equipment must be stored in places designated for that.
- Observe the tool operating instructions.



Transfer Multisort Elektronik Sp. z o.o.

ul. Ustronna 41, 93-350 Łódź, Poland, correspondence address: 90-951 Łódź 40, PO BOX 2071
tel. +48 42 645 54 44, fax +48 42 645 54 70, export@tme.eu, www.tme.eu

VAT ID: PL7290108984, REGON (NACE): 473171710, District Court for Łódź-Śródmieście, NCR: 0000165815, initial capital: 3 300 000 PLN