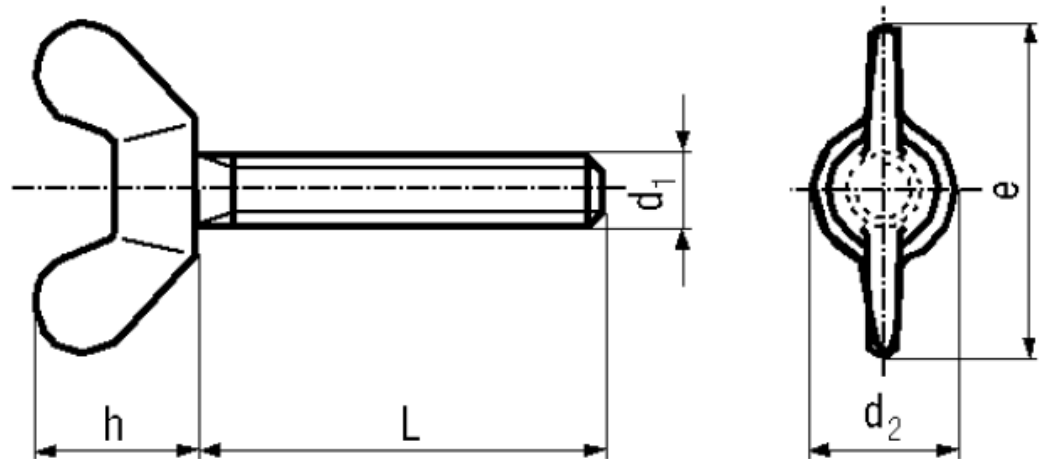


BN 276

Wing screws

DIN 316

~UNI 5449



Material

Malleable cast
iron / Steel

Surface

zinc plated blue

Article No. - 1110543

d ₁	M4
L	40
d ₂ max.	8
e max.	20
h max.	10,5

At manufacturer's option: Wing malleable cast iron or steel