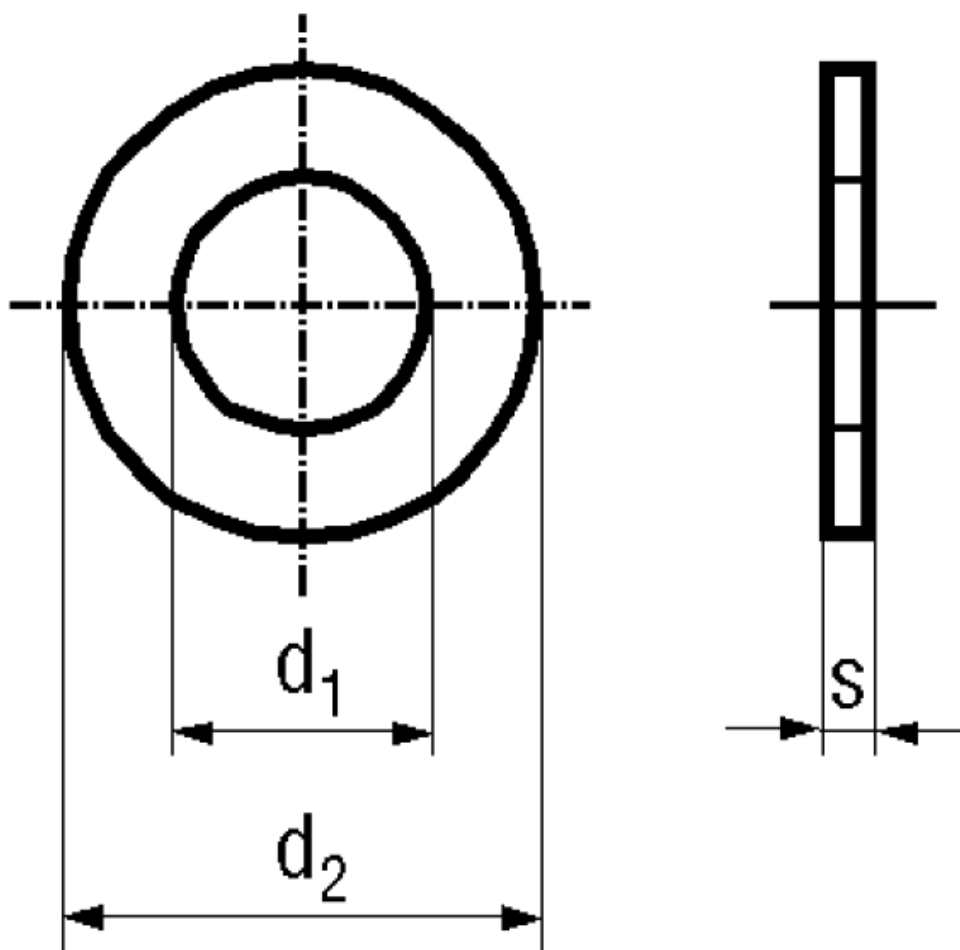


BN 6 - DIN 433-1 - ~ISO 7092

Flat washers
without chamfer, for screws with
cylindrical head

DIN 433-1
~ISO 7092



Material	Stainless steel	Hardness grade	140 HV
Quality	A4		

Article No. - 1073257	
fit for	M12
d_1	13
d_2	20
s	2

DIN 433: Standard withdrawn