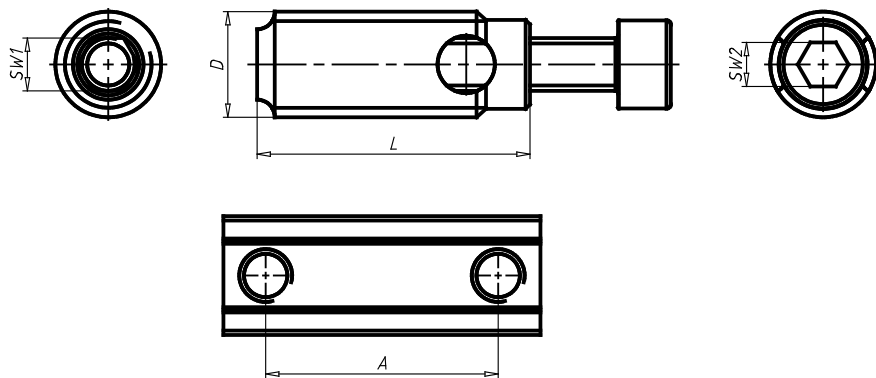


## Automatic Double Connector I, Slot 8 (Set)

099G081D80



PARTNR (Part #)	ADC (Automatic Double Connector)	A (/ mm)	D (/ mm)	L (/ mm)	SW1 (/ )	SW2 (/ )	N (/ )	PW (Profile Width)	SCREW (Screw)	PROFIL (Profile)	WEIGHT (Weight / g)	CTN (Customs Tariff Number)	ID (ID #)
099G081D80	-	66.4	12	31	6	5	8	80	M6 × 40	I	62	73181499	133331