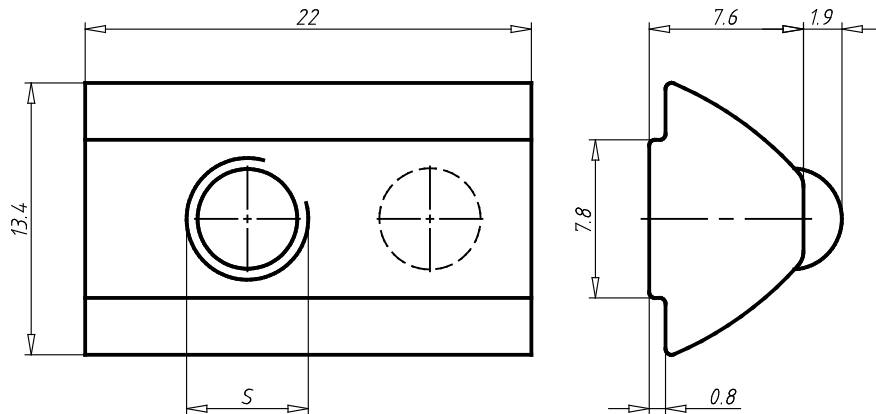


Roll-in T-slot Nut 13.4 x 7.6 mm with Spring Loaded Ball

096338



PARTNR (Part #)	S (Size)	MAT (Material)	WEIGHT (Weight / g)	CTN (Customs Tariff Number)	ID (ID #)
096338	M8	Steel	9.5	73181900	102796