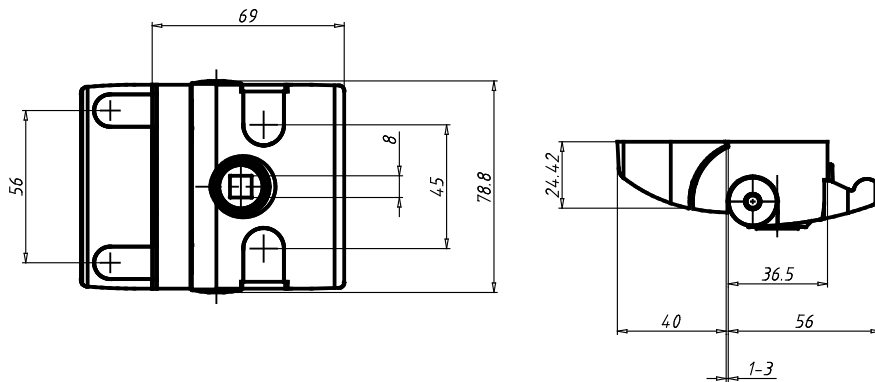


Slam Latch Compact

0957431



PARTNR (Part #)	LOCK (Lock)	SL (Slam Latch)	WEIGHT (Weight / g)	CTN (Customs Tariff Number)	ID (ID #)
0957431	Square lock	Black powder coated	220	83014090	128897