

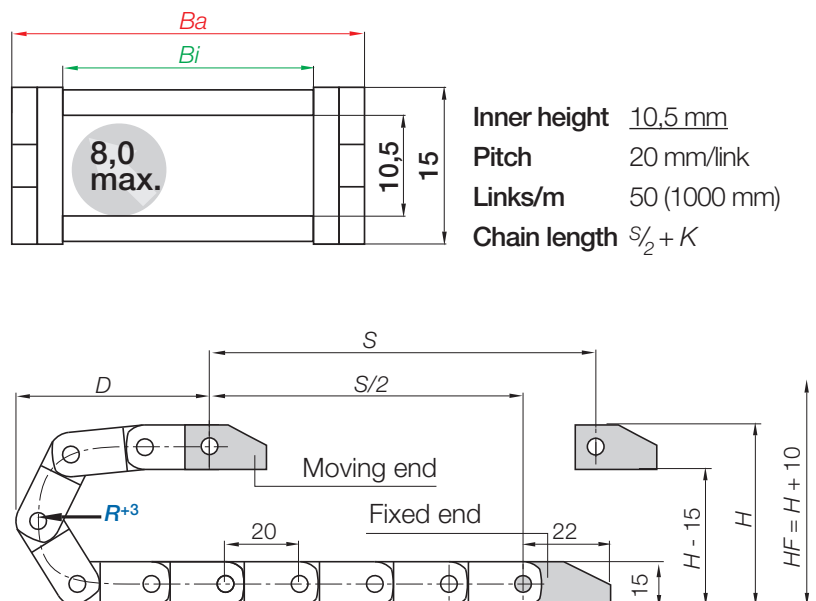
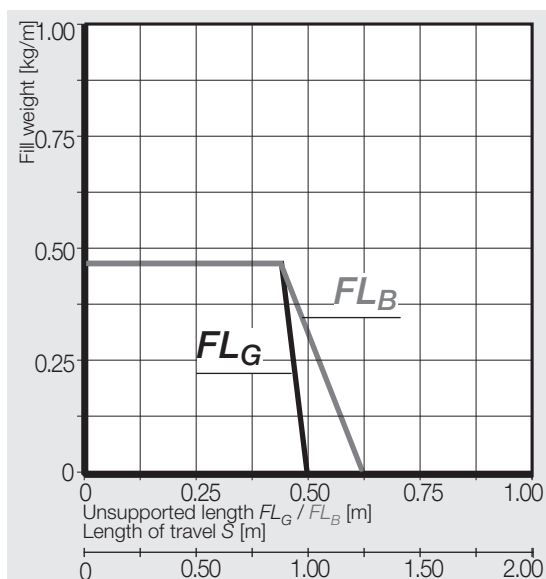


## Series 06 | One-piece, non snap-open e-chain®

e-chain® non snap-open	<i>Bi</i> [mm]	<i>Ba</i> [mm]	<i>R</i> Bending radii [mm]	Weight [kg/m]
06. 06 .R.0	6	12,5	018   028   038	≈ 0,13
06. 10 .R.0	10	16,5	018   028   038	≈ 0,14
06. 16 .R.0	16	22,5	018   028   038	≈ 0,16
06. 20 .R.0	20	27	018   028   038	≈ 0,17
06. 30 .R.0	30	37	018   028   038	≈ 0,20
06. 40 .R.0	40	47	018   028   038	≈ 0,23
06. 50 .R.0	50	57	018   028   038	≈ 0,26
06. 64 .R.0	64	71	018   028   038	≈ 0,30

Supplement Part No. with required radius (*R*). Example: 06.10.028.0

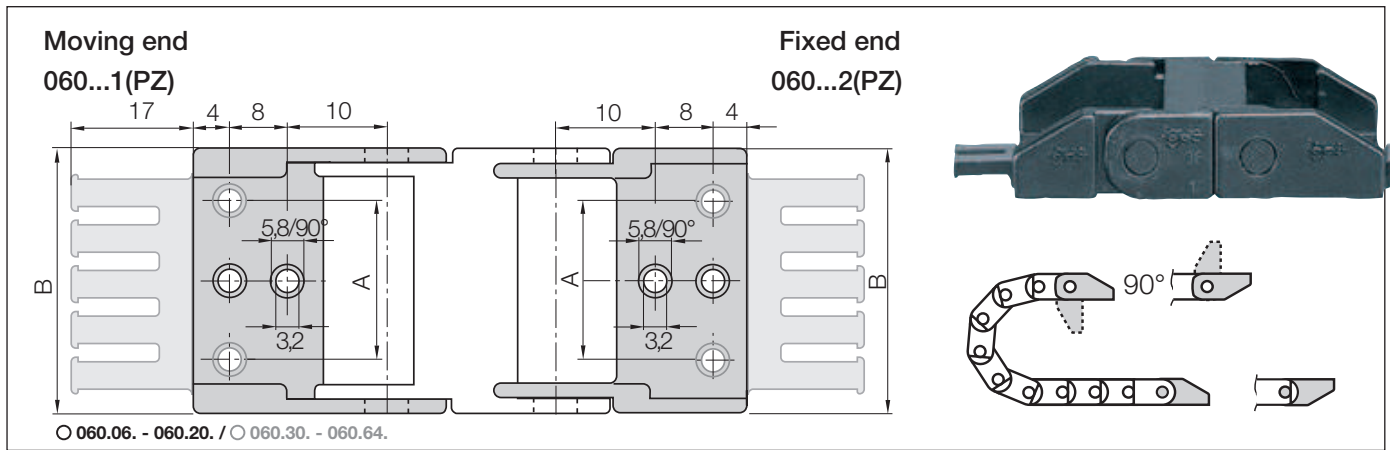
## Dimensions



<i>R</i>	018	028	038
<i>H</i>	51	71	91
<i>D</i>	56	66	76
<i>K</i>	100	130	160

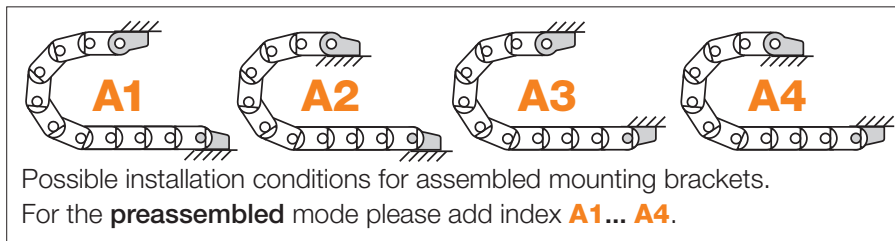
The required clearance height:  $H_F = H + 10$  mm (with 0,2 kg/m fill weight)

Mounting brackets, polymer one-piece | locking | More features ► [www.igus.eu/06](http://www.igus.eu/06)



Width Index	Standard	Part No. full set with tie-wrap plates	Part No. full set without tie-wrap plates	Dim. A [mm]	Dim. B [mm]	Number of teeth
.06.	►	060.06.12PZ	060.06.12	-	12,5	1
.10.	►	060.10.12PZ	060.10.12	-	16,5	1
.16.	►	060.16.12PZ	060.16.12	-	22,5	2
.20.	►	060.20.12PZ	060.20.12	-	27,0	2
.30.	►	060.30.12PZ	060.30.12	22	37,0	3
.40.	►	060.40.12PZ	060.40.12	32	47,0	4
.50.	►	060.50.12PZ	060.50.12	42	57,0	5
.64.	►	060.64.12PZ	060.64.12	56	71,0	6

O Drilling pattern for width index: 060.06. - 060.20. center bores only / O 060.30. - 060.64. outer bores only (see figure above)



### Part No. structure

**060.10. 12 PZ A1** A... must be indicated on preassembled configurations

- With strain relief tie-wrap plates
- Full set** Mounting bracket for selected width index