

WiFi Antenna

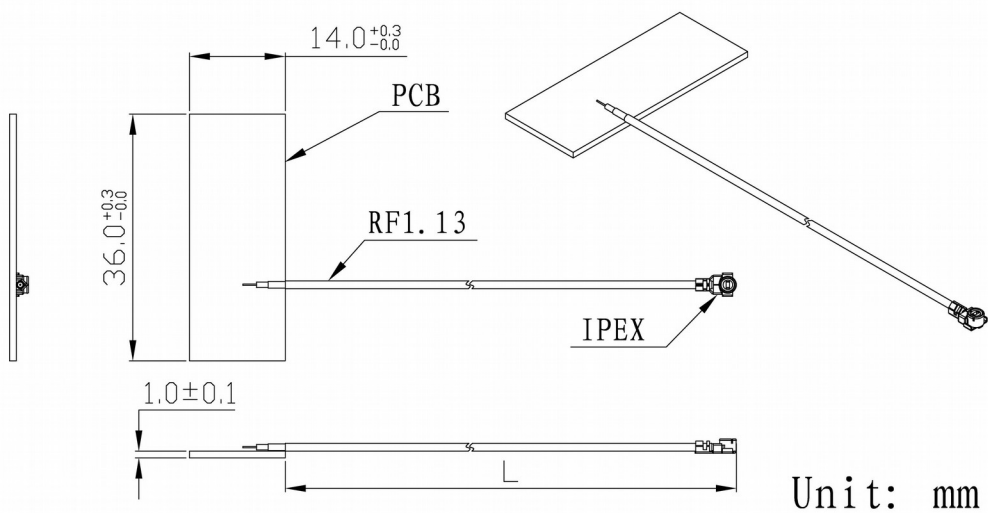
Model : WIFI-ANT417



1 Part Number

WIFI-ANT417

2 Dimension (Unit : mm)



3 Electrical Characteristics

3.1 WiFi Antenna

Item	Specifications	
Antenna	Frequency Range	2400~2483.5MHz/4900~5825MHz
	Polarization	Linear
	Gain	2dBi
	V.S.W.R	< 2.5(min)
	Impedance	50Ω
	PCB Dimension	36* 14* 1mm
Mechanical	Cable	RF1.13/RF1.37 or others
	Connector	IPEX or others
	Mounting Method	Adhesive
Environment I	Operating Temperature	-40°C~+85°C
	Vibration	10 to 55Hz with 1.5mm amplitude 2hours
	Environmentally Friendly	ROHS Compliant

4 Radiation Pattern

