

WiFi Antenna

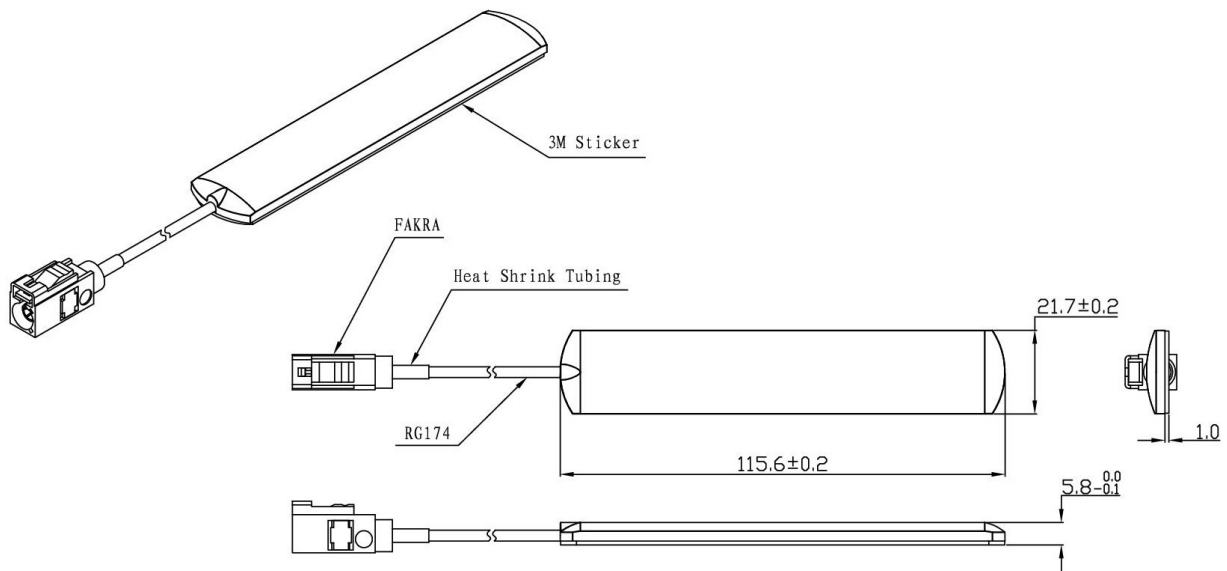
Model : WiFi-ANT063



1 Part Number

WiFi-ANT063

2 Dimension (Unit : mm)



Unit: mm

3 Electrical Characteristics

3.1 WiFi Antenna

Item		Specifications
Antenna	Frequency Range	2400~2483.5MHz
	Polarization	Linear
	Gain (Zenith)	3.0dBi
	V.S.W.R(min)	< 2.0
	Impedance	50Ω
	PCB Dimension	104.6* 15* 1mm
Mechanical	Cable	RG174
	Connector	SMA
	Radome Material	ABS
	Mounting Method	Adhesive
Environmental	Operating Temperature	-40°C~+85°C
	Relative Humidity	Up to 95%
	Vibration	10 to 55Hz with 1.5mm amplitude 2hours
	Environmentally Friendly	ROHS Compliant

