

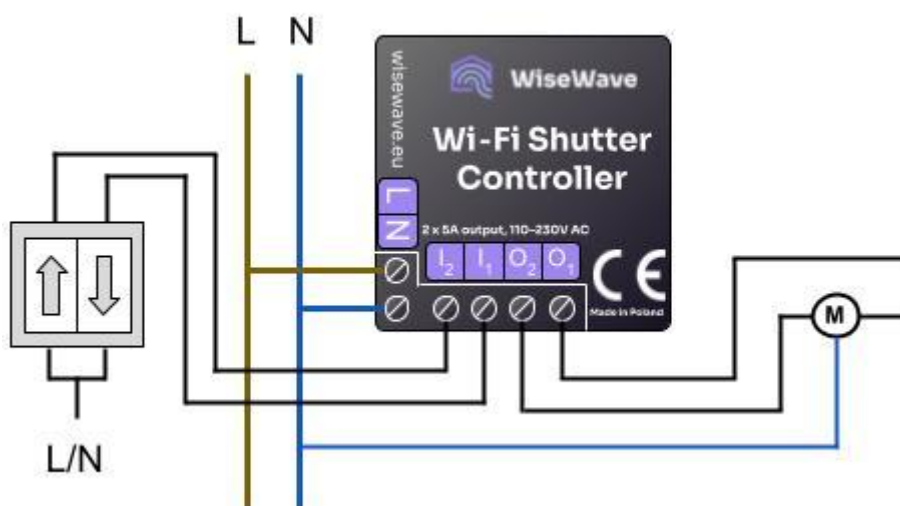
Wi-Fi Shutter Controller

Description



Wi-Fi Shutter Controller is – as the name suggests – an intelligent shutter controller. You can control it using [WiseWave](#) app as well as via inputs marked as I1 i I2 , which allow you to expand or roll up the shutter.

Schematics



Technical Specification

| Description | Value |
|---------------------|---------------------------------------|
| Input voltage | 110 - 230 VAC |
| Power consumption | <1W |
| Type of outputs | Switch |
| Output voltage | Same as input voltage (110 - 230 VAC) |
| Max. output current | 5 A |
| Number of inputs | 2 |
| Type of inputs | Monostable (like doorbell) |
| Control signal | L or N |
| Wi-Fi | 802.11 b/g/n (2.4 GHz) |
| Installation method | flush-mounted box |
| Length | 41.8 mm |
| Width | 41.8 mm |
| Height | 25.5 mm |



Calibrate Shutter

Shutter requires calibration for remote control. Follow instructions described in [Shutter Calibration](#) section