



**SERIES W50
SERIES WG50
- PUSHBUTTON SWITCHES**

Series W50

KEY FEATURES

- Size: 16mm
- SPST-NO-DB
- Plastic Housing
- Snap Action: Momentary / Maintained
- IP67 water proof
- Gold Plated Contacts

APPLICATIONS

- Office equipment
- Medical equipment
- Industrial machinery
- Mass transportation
- Joystick Control
- Food processing equipment

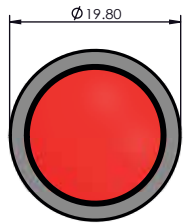
ORDERING INFORMATION

W **50-** - - - - - - -

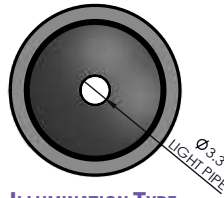
Series:	Switch Function / Termination:	Housing Type:	LED Color:	Button Color:	Mounting Type:	Voltage Resistor:	Special Request:
Blank Gold Contact IP67	1 Momentary, Solder	RBK Round, Black	N None	RD Red	B Bushing	If Blank: Note*	If Blank: N/A
G Silver Contact IP67/2A	2 Maintained, Solder		R Red	GR Green		05 5V Forward	xxx Customer Special Request
	A Momentary, Wire Leads		G Green	BK Black		12 12V Forward**	
	B Maintained, Wire Leads		Y Yellow	BL Blue		24 24V Forward**	
			A Amber	YL Yellow			
			B Blue	OR Orange			
			W White				
			RG Red/Green				
			RB Red/Blue				

Note:
 * Current limiting resistor is required to limit LED forward current to 20mA. (not included)
 ** 12 and 24V resistors are available with wirelead versions only.
 *** Only for non-illumination, Aluminum Housing.

SERIES W50 - PUSHBUTTON SWITCHES

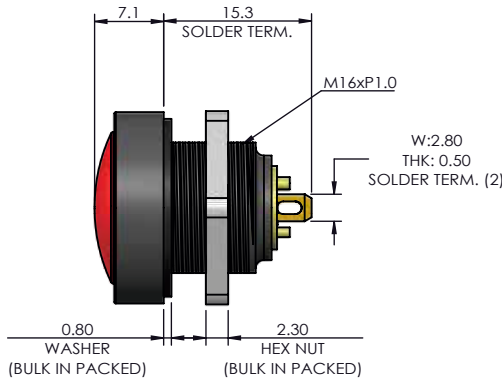


NON-ILLUMINATION TYPE

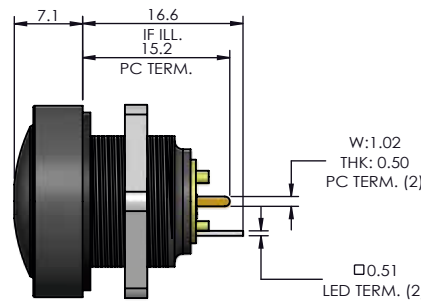


ILLUMINATION TYPE

W50/WG50 SERIES



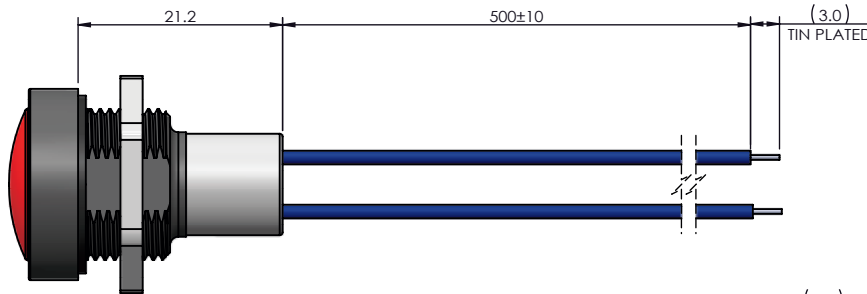
Non-ILLUMINATION & SOLDER TERMINAL



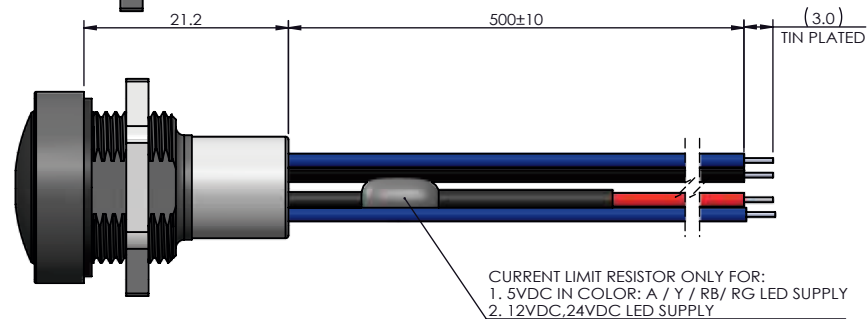
ILLUMINATION & PC TERMINAL

WIRELEADS

Non-ILLUMINATION



ILLUMINATION



RECOMMENDED PANEL CUT-OUT	
PANEL THICKNESS	0.020~0.117" [0.5~3.0 mm]
NUT TORQUE FORCE	Max. 5.2 lb-in [6.0 kgf-cm]

MECHANICAL CHARACTERISTICS

- **Switch Circuitry:** SPST-NO-DB (Form X)
- **Button Travel (Nominal):** 0.090 inches [2.30mm]
- **Operating Force (Nominal):** 3N [306g]
- **Contact Bounce (Nominal):** 1ms
- **Contacts Material:** W50: Gold Plated
WG50: Silver Plated
- **Panel Thickness:** 0.020" - 0.118" [0.5 - 3.0mm]
- **Nut Torque Force:** Max 5.2 lb-in [6 kgf-cm]
- **Current Ratings (Nominal):** W50 (Momentary) 10mA @ 12VDC, 1000k Cycles
W50 (Maintained) 10mA @ 12VDC, 50K Cycles

- **WG50 (Momentary)** 2A @ 24VDC, 40k Cycles
- **WG50 (Maintained)** 2A @ 24VDC, 20K Cycles

ENVIROMENTAL SPECIFICATIONS

- **Operating Temperature:** Momentary: -40°F to +185°F (-40°C to +85°C)
Maintained: -40°F to +149°F (-40°C to +65°C)

- **Water Proof:** IP67 (Front Panel)

ELECTRICAL SPECIFICATIONS

- **Dielectric Strength:** 1,000VAC
- **Insulation Resistance:** 1G Ω
- **Contacts Resistance:** 50 mΩ max. (Non-Wirelead)
250 mΩ max. (Wirelead)
- **Wireleads:** UL Style 1007
26 AWG, Stranded