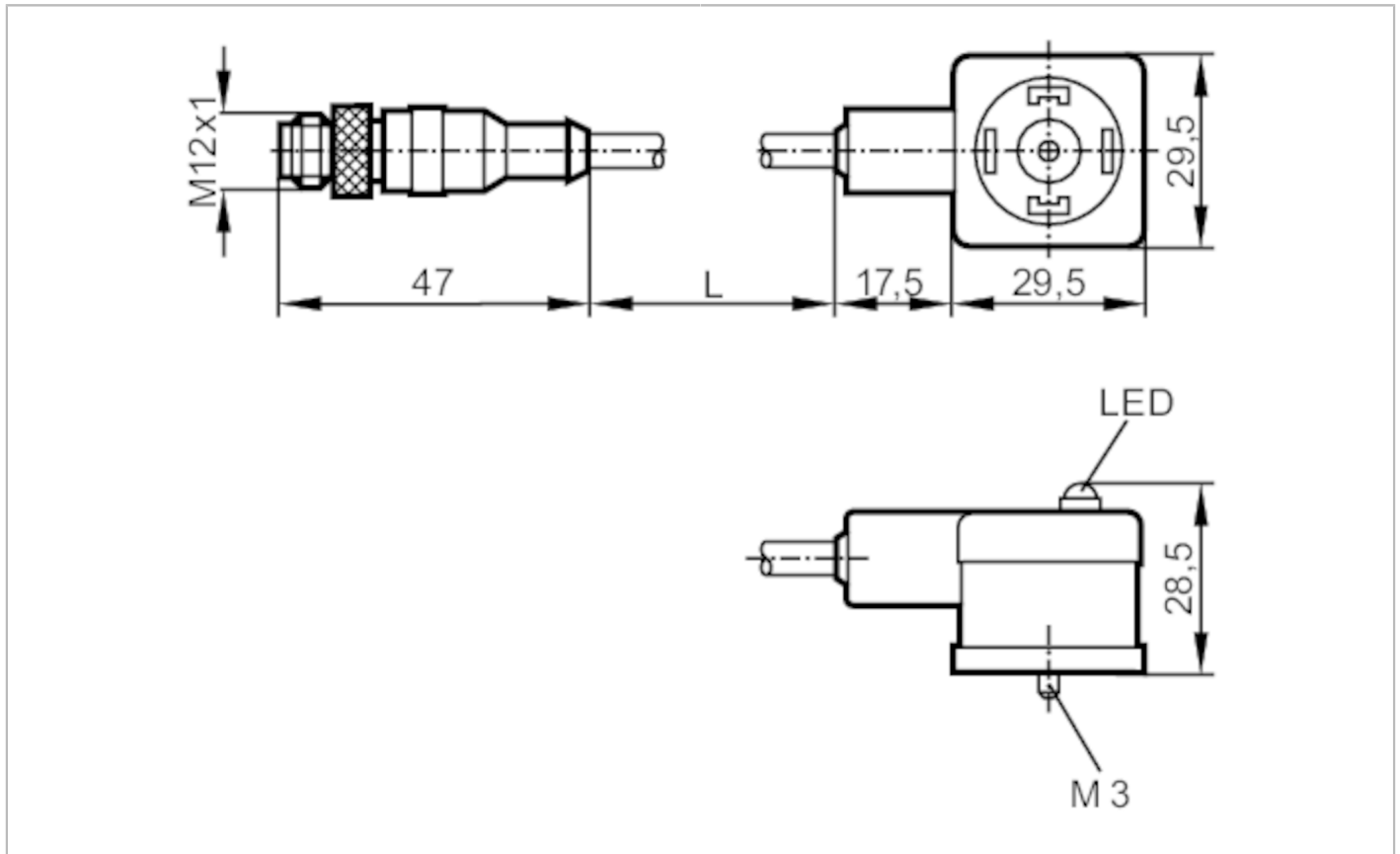


E70224



Connection cable

VSTGH050MSS01,5B03VDAA041--S



Application		
Free from silicone	yes	
Electrical data		
Operating voltage [V]	< 24 AC/DC	
Overvoltage protection	free-wheeling diode	
Operating conditions		
Ambient temperature [°C]	-25...90	
Protection	IP 67	
Mechanical data		
Weight [g]	116	
Materials	TPU	
Material nut	brass / brass	
Displays / operating elements		
Display	operation	1 x LED, green
Accessories		
Accessories (supplied)	screw	tag for labelling
Remarks		
Pack quantity	1 pcs.	
Electrical connection - plug		

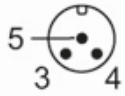
Connector: 1 x M12, straight; Moulded body: TPU; Locking: , brass, nickel-plated; Kontakte: gold-plated

E70224

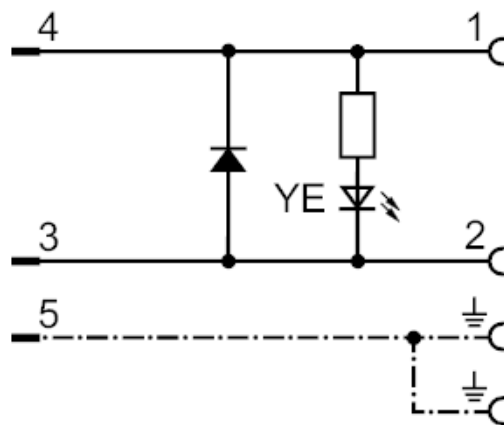


Connection cable

VSTGH050MSS01,5B03VDAA041--S



Connection



Electrical connection

Cable: 1.5 m, PUR / PVC, Halogen-free; 3 x 0.5 mm² (42 x Ø 0.1 mm)

Electrical connection - socket

Connector: 1 x valve type A DIN, angled; Moulded body: TPU; Locking: , brass, nickel-plated; Kontakte: nickel-plated brass