

PRODUKT MANUAL

CAUTION

Voltage Converter VP

230-110V
(500-5000V)



VOLT
POLSKA

VOLT POLSKA Sp. z o.o.
ul. Grunwaldzka 76
81-771 Sopot
www.voltpolska.pl

Caution

Avoid overloading

Do not use the converter beyond its maximum power. When connected to any appliance with built-in motor compressor, the starting power is generally several times of the appliance's listed power rating. Make sure that the total starting power capacity of all connected appliances does not exceed the listed maximum output power of the converter. For color TV, calculate it twice as its listed capacity. Make sure that the converter is of the same output voltage and frequency as the appliances it connected. Make sure that the voltage of electrical source is the same as the input voltage of the converter.

Always place the converter in an environment that is:

- Well ventilated.
- Not exposed to direct sunlight or heat sources.
- Out of reach of children.
- Away from water moisture oil or grease.
- Away from any flammable substance.

If the power cord is damaged, it must be replaced by the authorized dealers or similarly qualified persons in order to avoid a hazard.

When Circuit breaker opens the circuit

When products are connected to the converter and when power is "ON", during that time if circuit breaker opens the circuit that means the converter is over loaded with too many appliances. Connecting too many appliances to the transformer draws too much power that cause the circuit breaker to open the circuit. If that happens, switch converter "OFF", unplug from the wall outlet then decrease the loading by unplugging the appliances from the converter.

Unplug the converter from the wall.

Press button on circuit breaker.

Wait few minutes then switch power "ON" position.

Then switch "ON" appliances one by one ensuring that their combined rated power does not exceed the rating power of the converter.

Remarks:

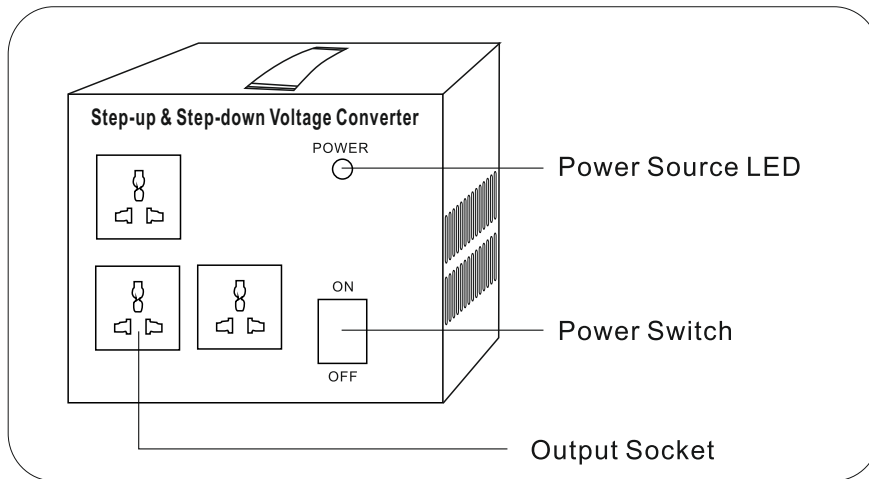
This model is single phase.

Waveform is sinuousand without distortion.

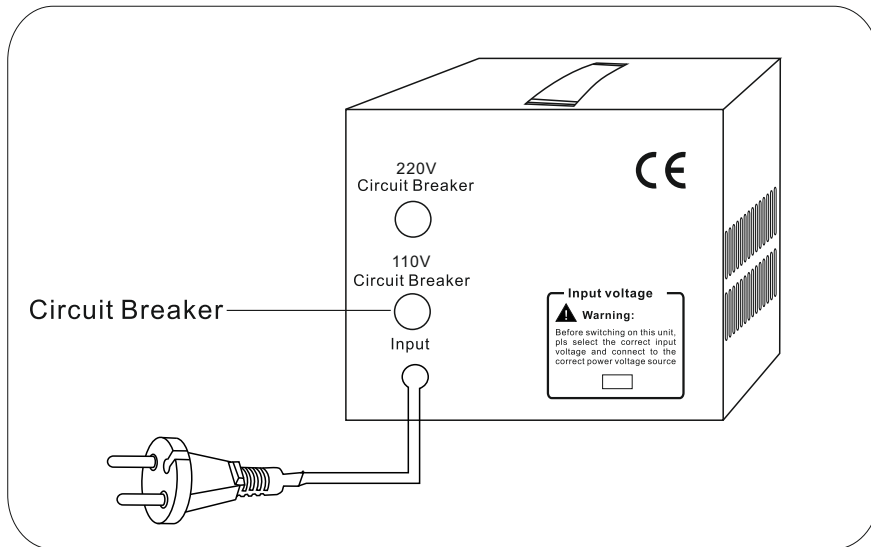
1. Instruction to the converter

Familiarize yourself with the various features and facilities by studying the two diagrams below to obtain maximum benefit from the converter.

Front of the converter



Rear of the converter

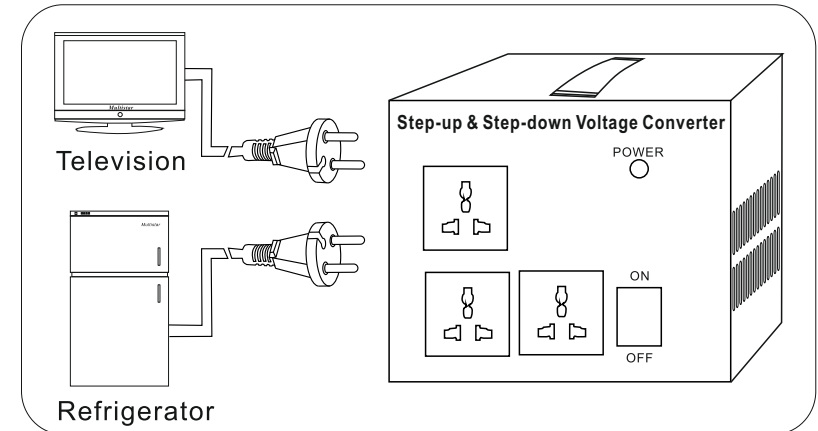


2. Connect the electrical appliances to converter

Check the wattage requirement of your equipment from the name plate and specs to determine the correct wattage and which converter to be used. If your appliances voltage rating is 110V, your main voltage must be 220V. If your appliances Voltage rating is 220V, your main voltage rating must be 110V.

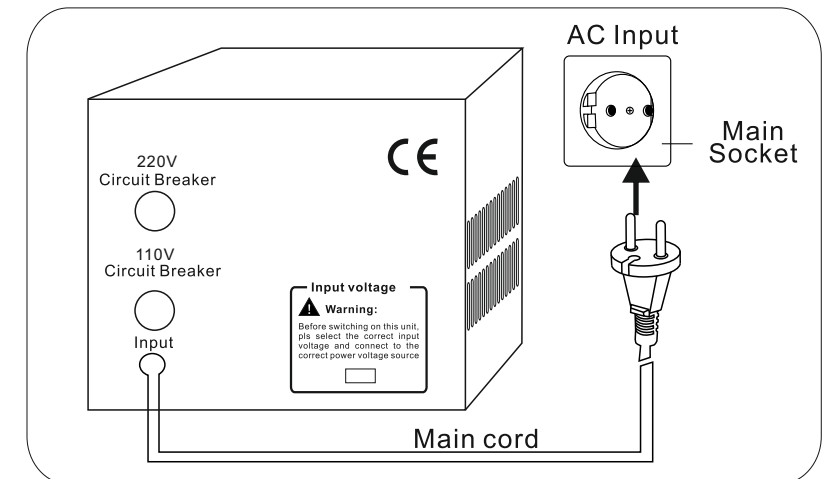
*Make sure all appliances are turned "OFF" .

Make connections as shown in diagram below ensuring that the total starting power needed does not exceed rated maximum output power of the converter. Select the correct input voltage according to your area mains.



3. Connect converter to electrical mains

Plug the AC mains cord to wall mains socket as shown in diagram below and switch "ON".



4. Switch on the converter

Switch the power "ON" . Press the power "ON/OFF" switch to "ON" position and LED will illuminate. Switch "ON" the appliances one by one.

TECHNICAL DATA

MODEL	VP500	VP1000	VP2000	VP3000	VP5000
Input voltage	230 VAC lub 110 VAC				
Output voltage	230 VAC lub 110 VAC				
Power	500VA	1000VA	2000VA	3000VA	5000VA
SOFT-START	No		Yes		
Dimensions (mm)	160x125x 90	192x148x130	218x168x138	285x190x201	285x190x201
Weight (kg)	2,9	4,4	6,9	10,2	12,9

Models

VP 500 VA



VP 1000 VA



VP 2000 VA



VP 3000 VA



VP 5000 VA



WARRANTY CARD

DATE OF PURCHASE	
SHIPPING ADDRESS	
SIGNATURE / STAMP	
DAMAGE DESCRIPTION	
SERVICE COMMENTS	

FILL IN IF NEEDED

(* Cross incorrect

I agree to pay the cost of inverter repair due to:
* expiration of the warranty period / * warranty void

Before proceeding with the repair, service will inform by phone about the exact costs of the repair.

Please attach a copy of the purchase document (receipt or invoice) to the complaint.

The full regulations of service repairs can be found on our website

