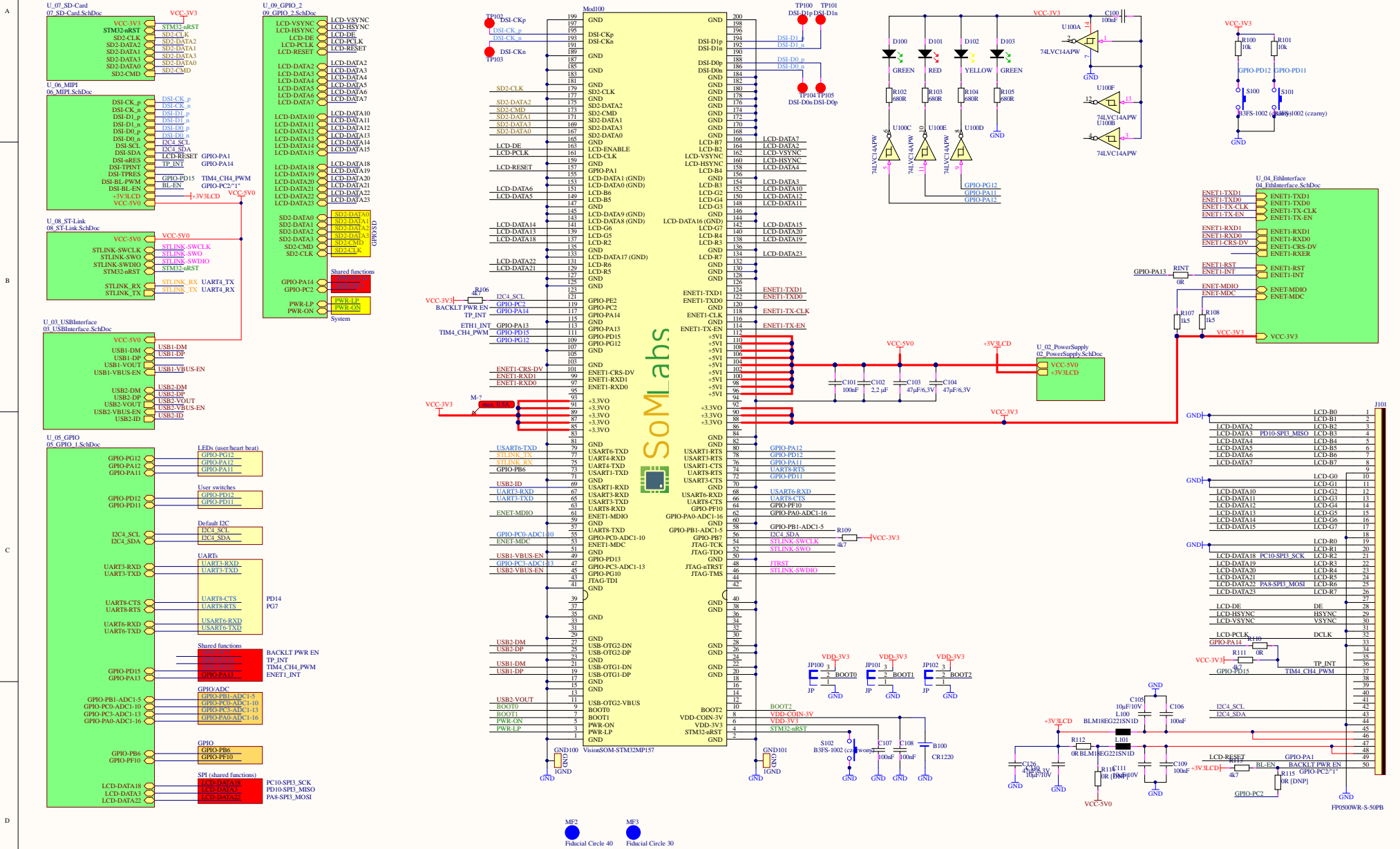
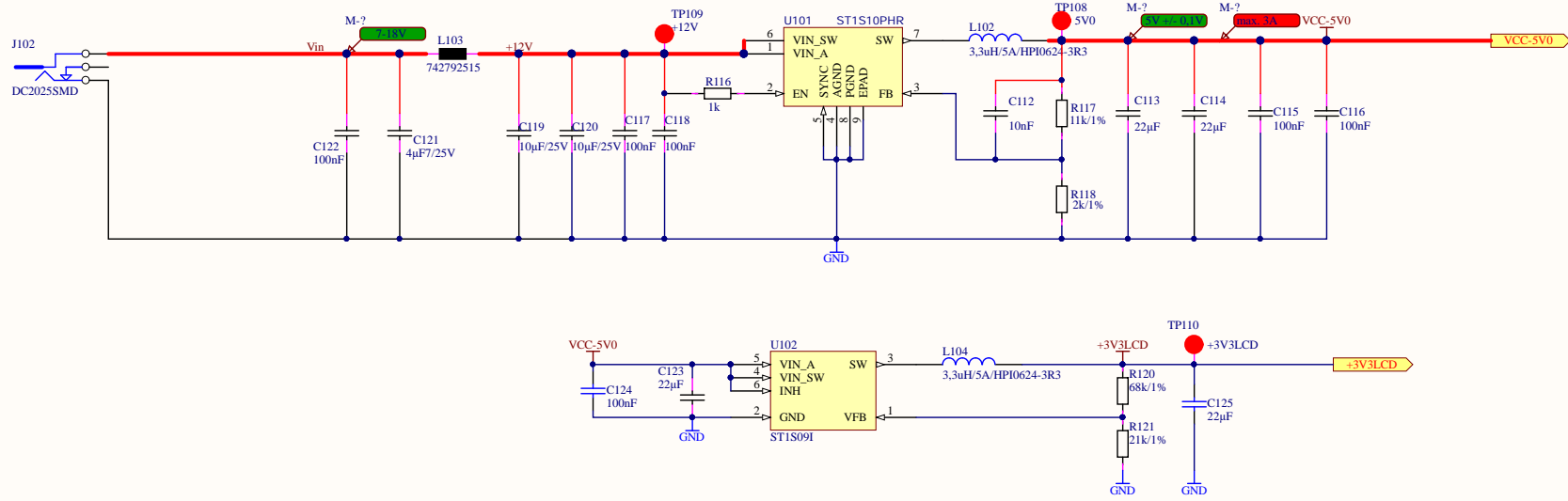


SODIMM200 connector

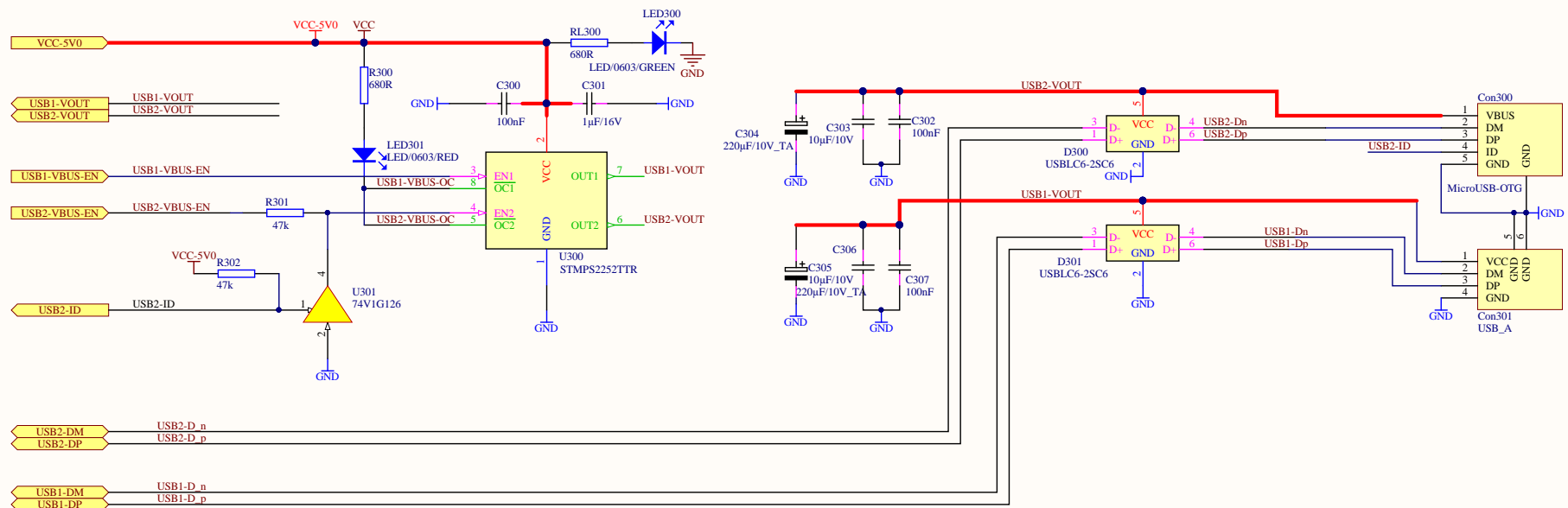


Power supply - DC/DC converter



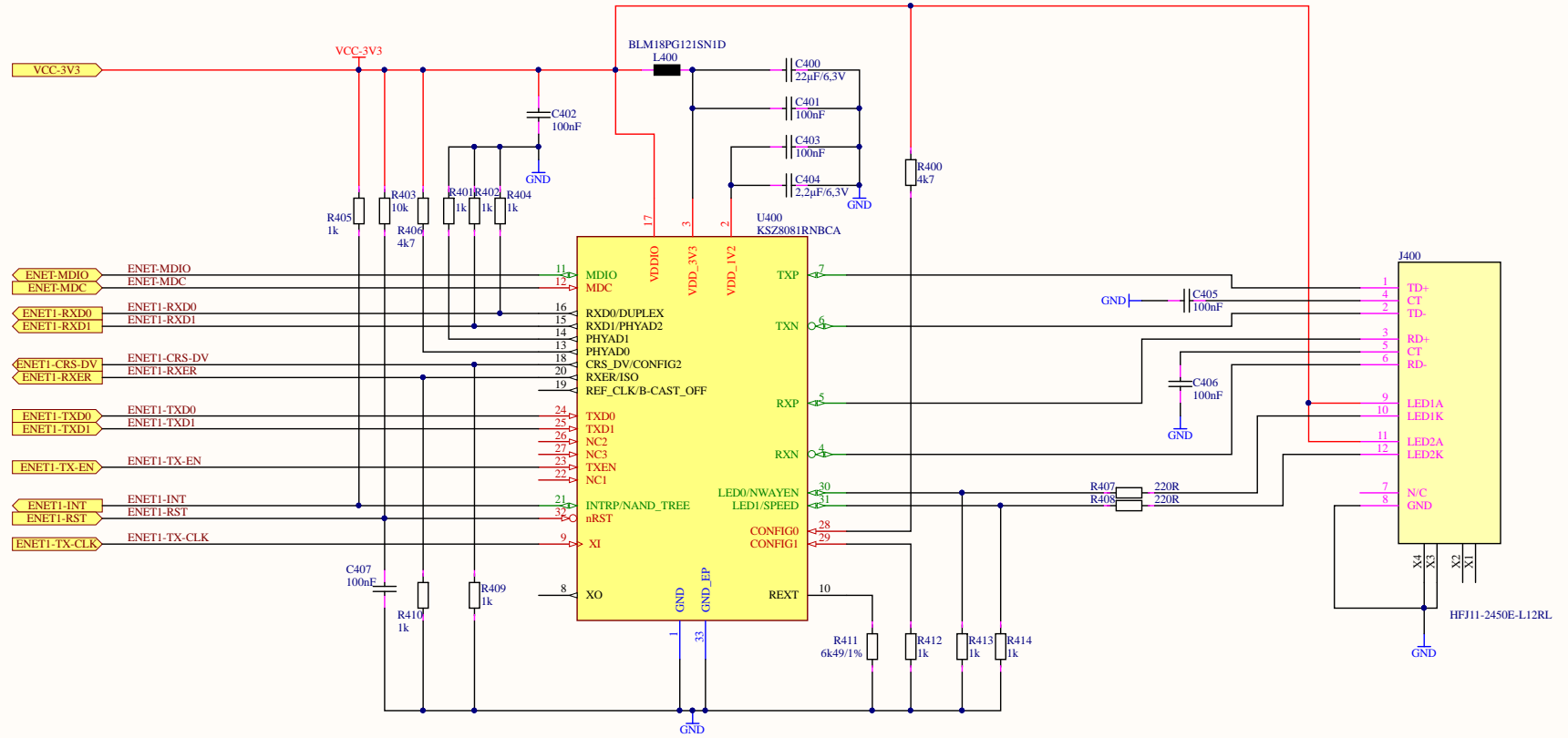
Title		
Size	Number	Revision
A3		
Date:	06.04.2020	Sheet of
File:	D:\Projekt\...02_PowerSupply.SchDoc	Drawn By:

USB interfaces



Title		
Size	Number	Revision
A3		
Date:	06.04.2020	Sheet of
File:	D:\Projekt\...03_USBInterface.SchDoc	Drawn By:

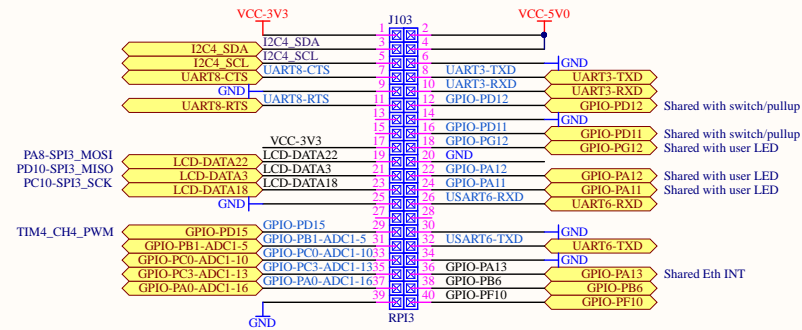
Ethernet interface



Title		
Size	Number	Revision
A3		
Date:	06.04.2020	Sheet of
File:	D:\Projekt\...04_EthInterface.SchDoc	Drawn By:

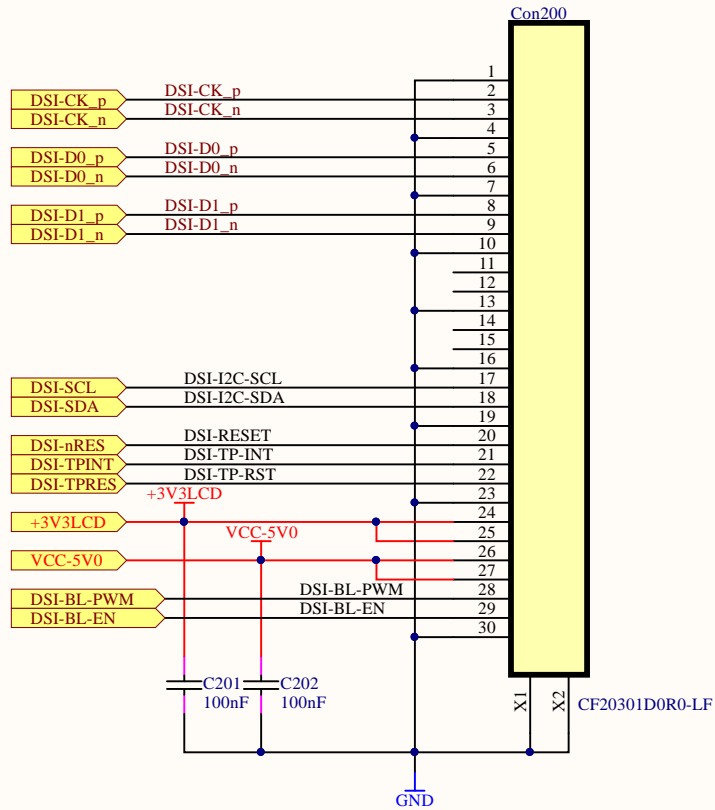
GPIO connectors #1

RPI3 compatible header



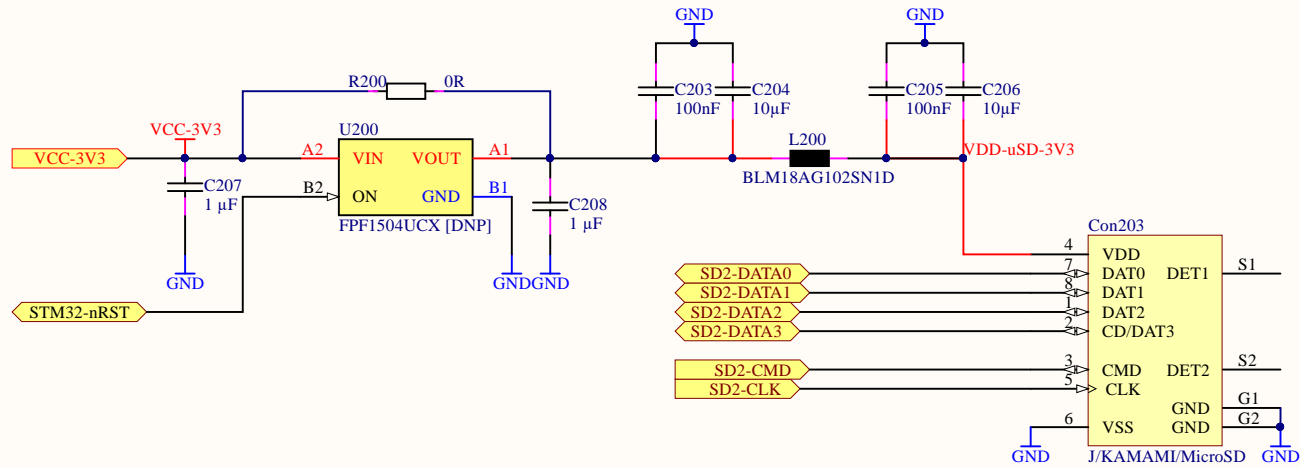
Title		
Size	Number	Revision
A3		
Date:	06.04.2020	Sheet of
File:	D:\Projekt\...05_GPIO_1.SchDoc	Drawn By:

MIPI-DSI



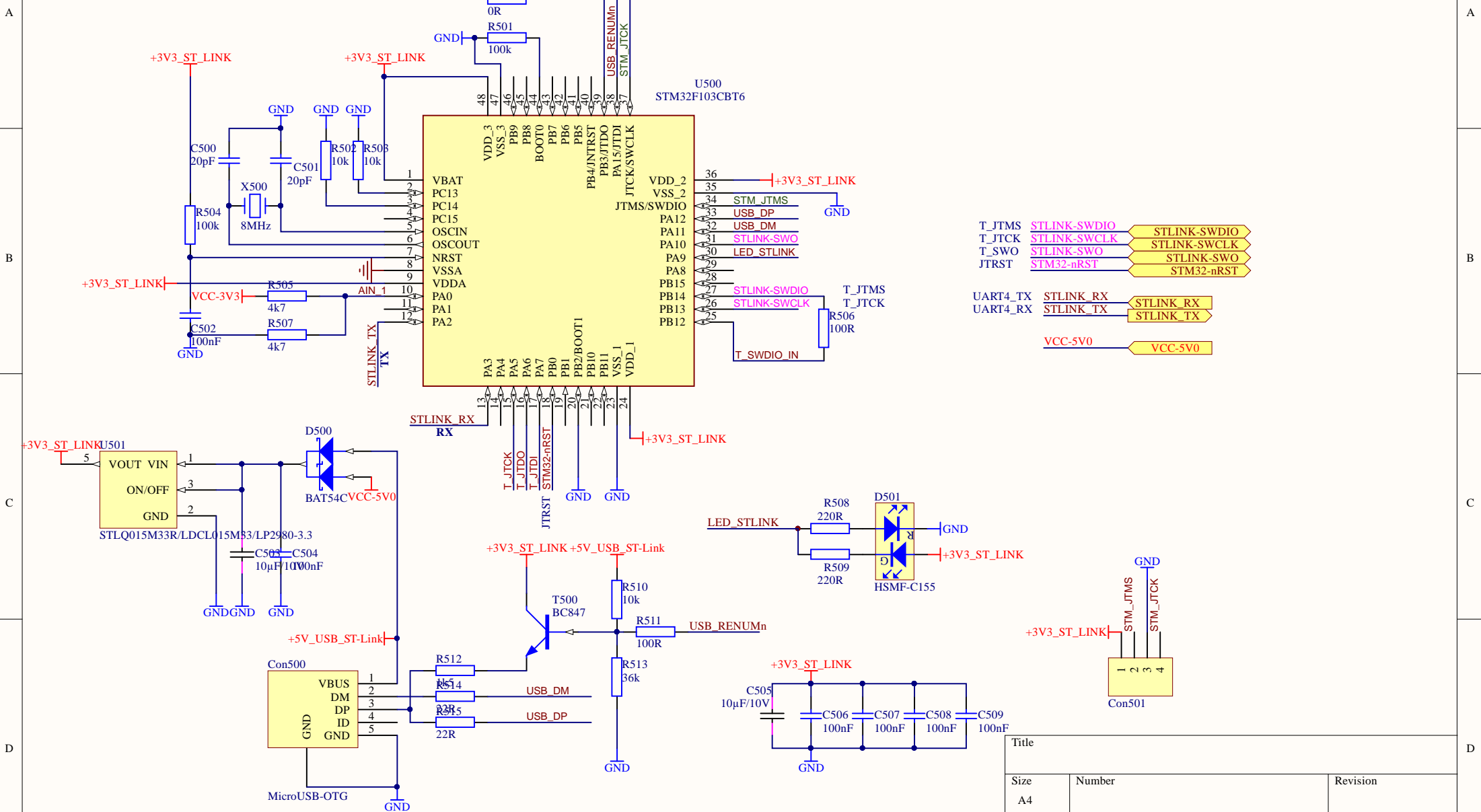
Title		
Size	Number	Revision
A4		
Date:	06.04.2020	Sheet of
File:	D:\Projekty\..06_MIPI.SchDoc	Drawn By:

SD card connector



Title		
Size	Number	Revision
A4		
Date:	06.04.2020	Sheet of
File:	D:\Projekty\..07_SD-Card.SchDoc	Drawn By:

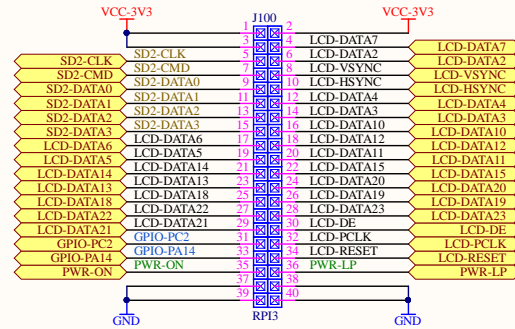
ST-Link/v2-1



- T_JTMS **STLINK-SWDIO** → **STLINK-SWDIO**
- T_JTCK **STLINK-SWCLK** → **STLINK-SWCLK**
- T_SWO **STLINK-SWO** → **STLINK-SWO**
- JTRST **STM32-nRST** → **STM32-nRST**
- UART4_TX **STLINK_RX** → **STLINK_RX**
- UART4_RX **STLINK_TX** → **STLINK_TX**
- VCC-5V0 → **VCC-5V0**

Title		
Size	Number	Revision
A4		
Date:	06.04.2020	Sheet of
File:	D:\Projekt\...08_ST-Link.SchDoc	Drawn By:

GPIO connectors #2



Title		
Size	Number	Revision
A3		
Date:	06.04.2020	Sheet of
File:	D:\Projekt\...09_GPIO_2.SchDoc	Drawn By: