



# TEXAS-3W v.2

Professional Led Modules; 5-20CM 3D letters, lightboxes



## ■ Features:

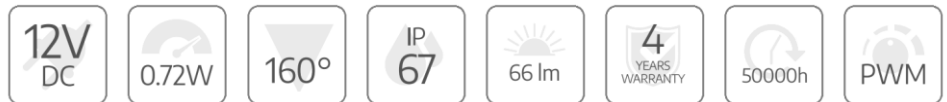
- luminous efficacy 92 lm/W
- for indoor and outdoor use
- 20 pcs in chain



UK  
CA

CE

## TECHNICAL DETAILS



MODEL	TEXAS-3W v.2
Supply voltage	12V DC
Power consumption per module	0.72W
Chain power consumption	14.4W
Current consumption per module	60mA
LED diodes	EPISTAR-2835
Quantity of LEDs	3
Light color	White (~6500K)
Luminous flux	66lm (W)
Luminous flux density	92lm (W)
Color rendering index - CRI	≥80
Beam angle	160°
Current stabilization	No
Dimming	Yes
Module dimensions (L x W x H)	61 x 12 x 5mm
Cable length	70mm
Number of modules in 1m	7.7
BOX weight	17kg
Packing	Chain – 20pcs / Bag – 100pcs / Box – 1200pcs
Montage	Adhesive tape / mounting screw
Lifetime	L70B50 > 50000h
Working temperature	-25°C ÷ 55°C
IP protection	IP67
Warranty	4 years

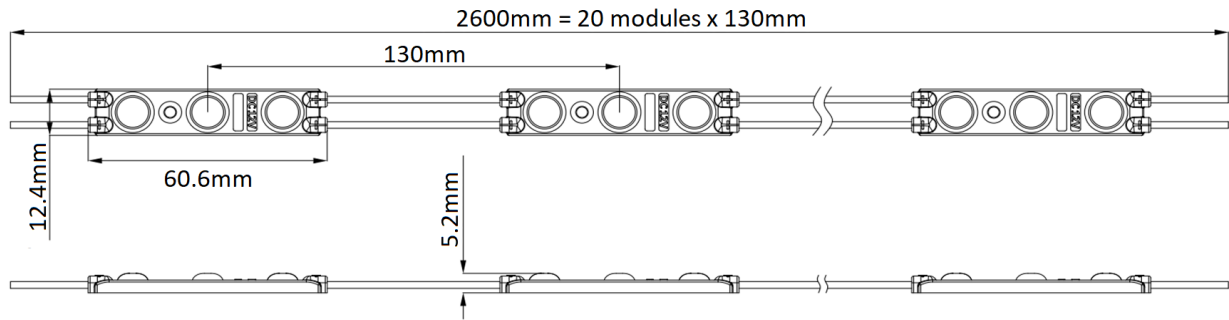


# TEXAS-3W v.2

Professional Led Modules; 5-20CM 3D letters, lightboxes



## Dimensions



## Connection diagram

One-side power input:



Maximum number of modules 20 pcs

Two-side power input:

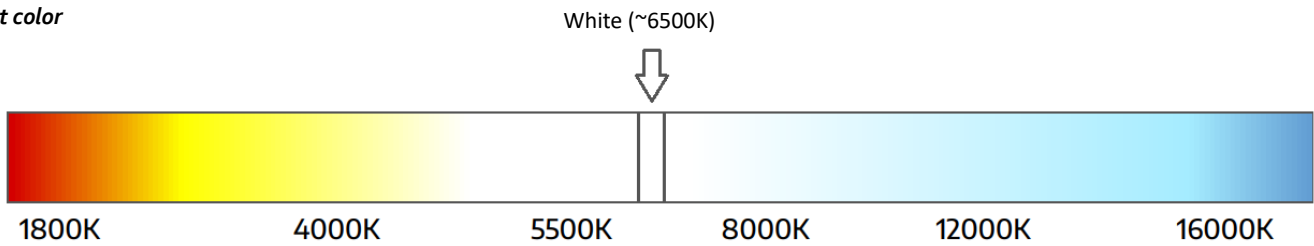


Maximum number of modules 40 pcs

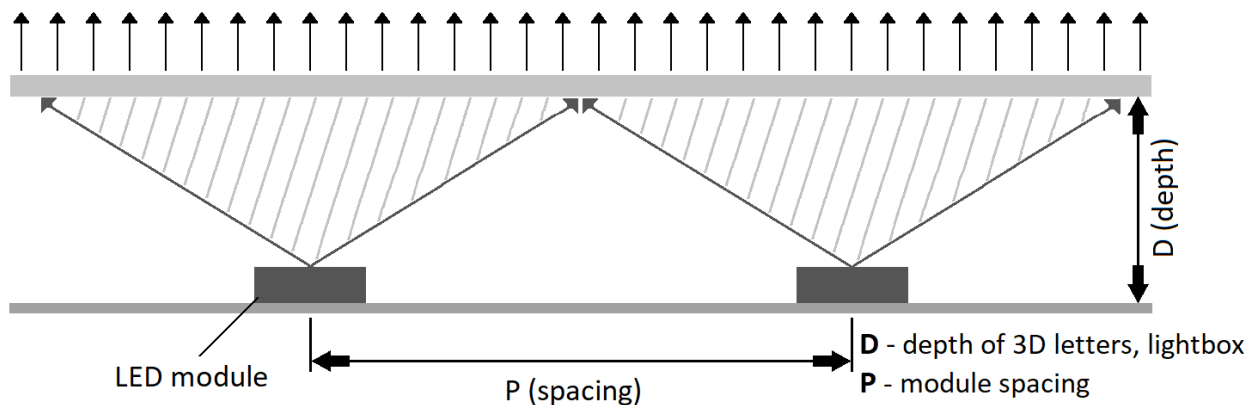
It is acceptable to connect multiple chains in parallel, as long as the power supply provides sufficient power

## Light color / CCT

Light color



## Application



$$\text{optical performance proportion} = \frac{D}{P} = 1 : 1.5$$

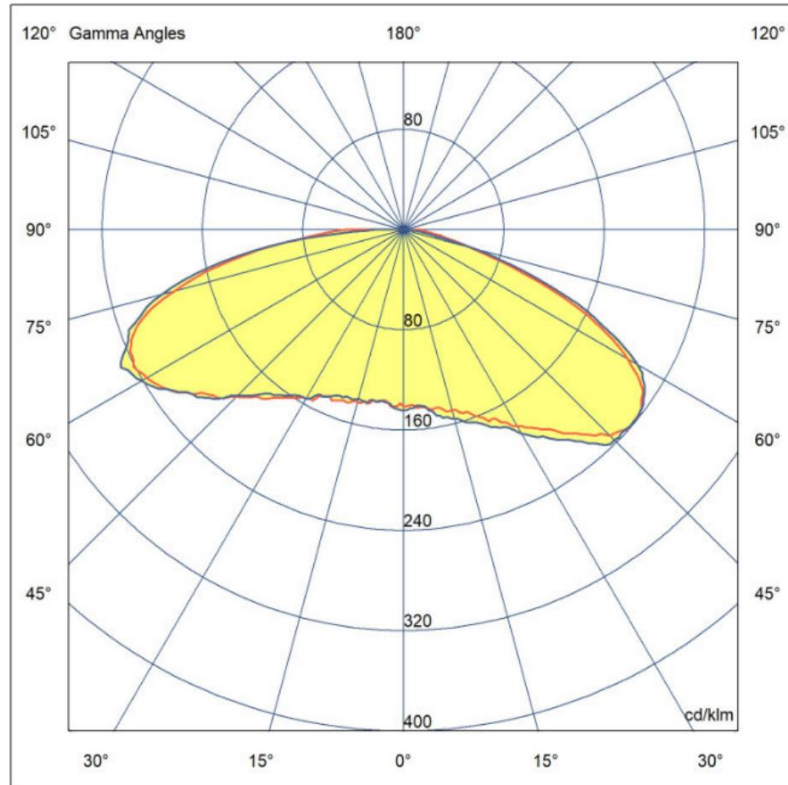


# TEXAS-3W v.2

Professional Led Modules; 5-20CM 3D letters, lightboxes



## Beam angle



## Energy label

**ENERG**  
MW LIGHTING  
TEXAS-3W v.2

A vertical scale of energy efficiency classes from A to G. Class A is green, B is light green, C is yellow-green, D is yellow, E is orange-yellow, F is orange, and G is red. A black arrow points to class F.

**1**  
kWh/1000h

2019/2015