

**KESD**<sup>®</sup>

Hand Operated Electrostatic Eliminator

---



KG-5

High Frequency AC Ion Air Gun

## **Read carefully before using**

- Thank your very much to buy the KG-5 ion air gun
- Please read the operation method carefully before operating it.
- Please put the product specification in a place where it can be seen at any time.
- Please use it according to the method recorded in the specification and operating manual; otherwise, the company assumes no responsibility.

### **Please observe the following precautions for security**

1. Make sure the connector is linked before use
2. Please use clean air without oil and water
3. Please stop using the gun if the air contains organic solvent, organic phosphate engine oil, sulphurous acid air, chlorine and acid
4. Please do not use nozzle head from other source, and do not make change of the head, otherwise it will cause functional problems
5. The life span of the emitter needle is depend on the environment, dirty needle will cause function decease, need to clean in a certain

time

6. Make empty and clean inside of the tube if equip with air tube
7. Precise electronic parts are installed within the product. When using the product, please don't knock, fall down or hit against the product, or impose too much impact force to the product; otherwise, even the product appearance is not damaged, its internal may also be damaged or the operation may be abnormal.

### **■ Brief Introduction of the Product**

1. Hand held type, small size, light weight, flexible and safety for handle, equip with HV normal and HV abnormal running function
2. Make sure the connector is linked before use
3. High frequency AC type, blow out the plus and minus ions by compressed air, can destaticizing from point to wide scope, various nozzle heads for optional

### **■ Product features**

1. Built-in high voltage system, automatic ion balance  $0\pm 15V$
2. Filter fixed inside, increase the clean rate of compressed air and

decrease the voice. Piston design of the air flue, huge volume enable short decay time

3. Various nozzle heads optional for different application

4. Trigger Arc design in accordance with ergonomics, convenient for operation

5. “Electric & air synchronous” and “Air inlet firstly, electric secondly” shift by sliding the trigger

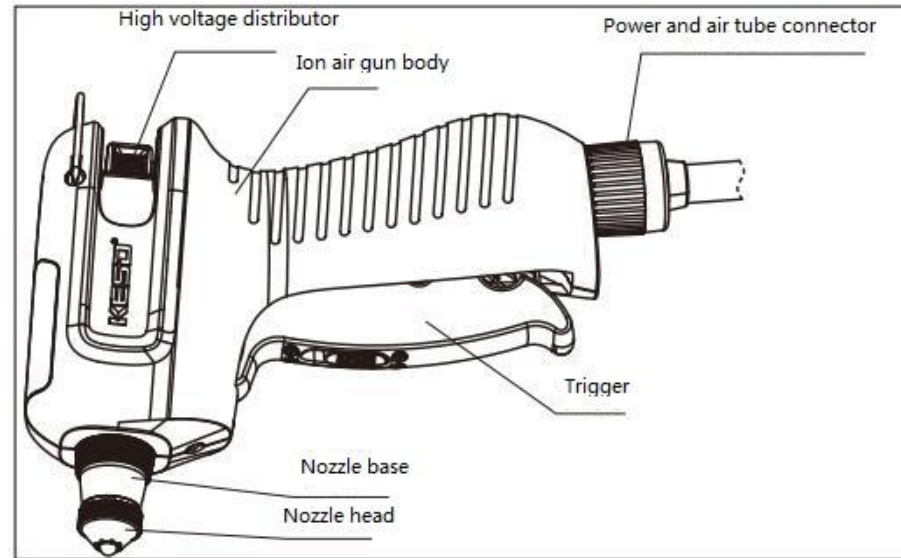
Note: The ion air gun has function of static eliminating and dust clean

Compressed air range: 0.05-0.5MPa

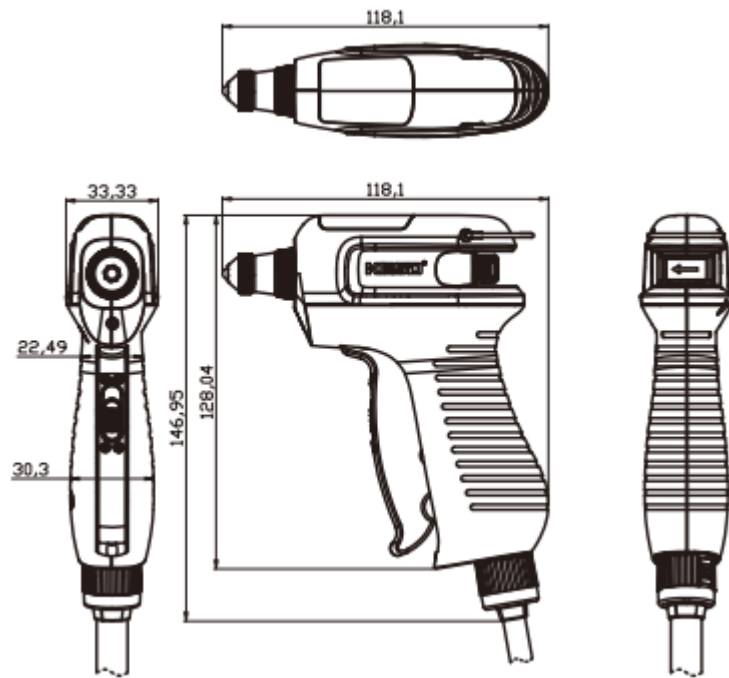
1) Adopt 0.1-0.3MPa for static eliminating purpose

2) Adopt 0.3-0.5MPa for dust clean purpose

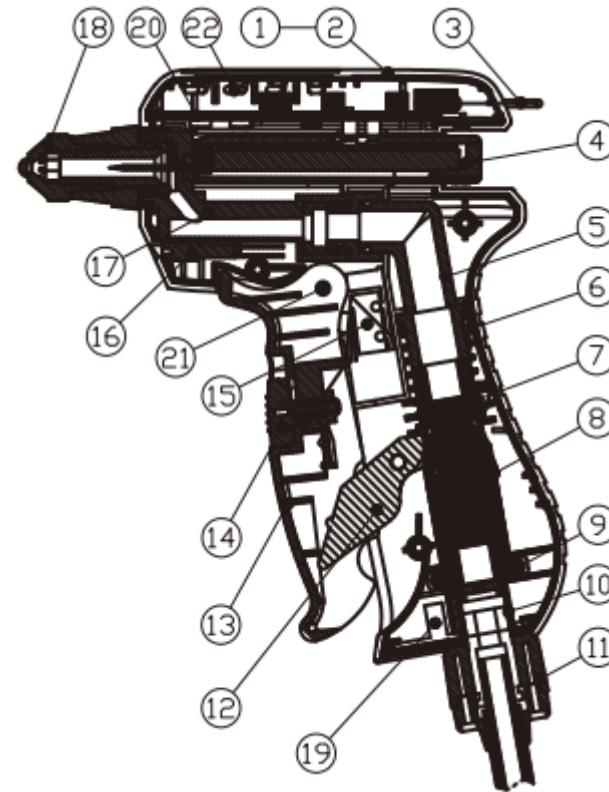
#### ■ Product structure diagram



■ Dimension



■ Product detailed diagram



1	Left housing ABS	12	C type latch
2	Right housing ABS	13	Trigger
3	Hanger	14	Electric & air control switch ABS
4	HV Box	15	Inching switch
5	L type air flue (Fireproof ABS)	16	Laser head
6	Spring	17	Inlet air base
7	Straight air flue (Fireproof ABS)	18	Spray head
8	Air flue stop valve	19	Body power board PCBA
9	Anechoic block	20	HV control board PCBA
10	Air terminal	21	Trigger fulcrum
11	Electric and air connector	22	Functional indicator display

### Electric & air control switch

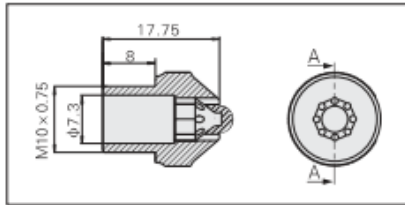
Down: Air inlet firstly, electric secondly (Optional for flammable and combustible industry)

Upper: Electric & air synchronous

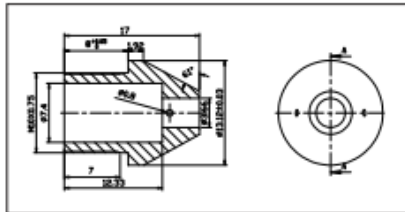


## Different nozzle head for option

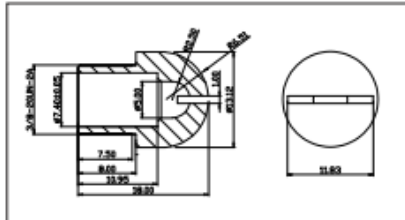
➤ Silencer spray-head(H81480)



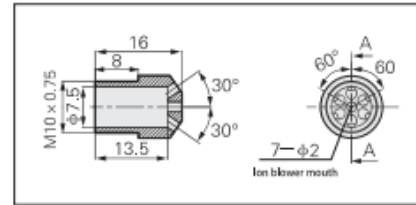
➤ Standard spray-head(H80013)



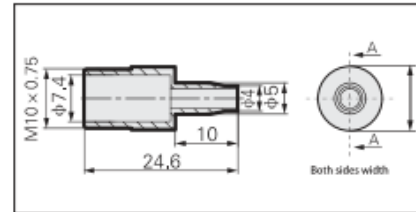
➤ Straight spray-head(H80749)



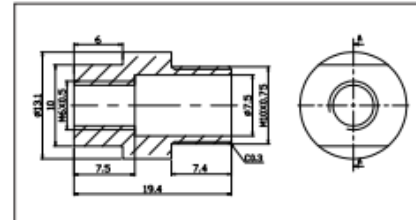
➤ Showers spray-head(H80012)



➤ Trachea spray-head(H80568)



➤ Connect spray-head(H80638)



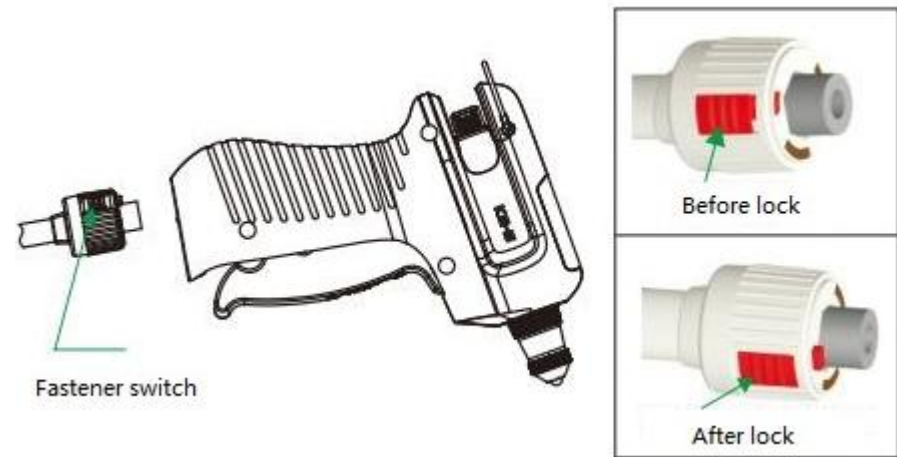
Technical parameters:		
Model:	KG-5	
Input power	DC24V	
High voltage output:	2200V	
Current consumption	500mA	
LED indicator	Power normal	LED green light
	HV normal	LED blue light
	Clean reminder	LED yellow light
	HV abnormal	LED red light
Ion generation mode	High Frequency AC Corona type	
Ion Balance:	0±15V	
Operation Temperature:	0°C-40°C	
Diameter of the air pipe	φ 6	
Compressed air range	0.05-0.5MPa	
Overall size /mm:	147*118.1*33.3mm	
Weight:	175g	

Ozone concentration:	Below 0.03ppm(distance 150mm)
Length of power adapter cable:	2m
Hose diameter:	Φ6 trachea
Filter precision:	0.2μm
Filter efficiency:	99%

Anti-static test condition			
Operating voltage: DC 24V Test voltage: ±1000V-±100V Environment Temperature: 0°C ±40°C			
Distance		150mm	300mm
Decay time	Positive	0.5s	0.8s
	Negative	0.6s	0.9s
Residual voltage	Positive	<0±15V	
	Negative		

■ **Power and air tube connect drawing**

Connect is rotate type and disassemble, position in the accurate point and fasten well for a fine performance



■ **Maintenance**

Screw down the nozzle head, take out the ceramic tube, clean the tungsten needle with non-dust cloth dipped with ethanol.

O type ring is consumable parts, change with new one if damaged or air leakage



■ **After-sales Service**

1. Service in the Warranty Period

The warranty period of the products sold by the company is one year. Within one year since the product is sold, any fault caused due to its component materials and process problems should be repaired by the company freely (except quick-wear parts).

2. Service after Warranty Period

All products sold by the company will still be repaired free of labor cost (only charging part cost) after warranty period to protect customer's interest.

The company maintains the right of modifying the above product property parameters and technology at any time without further notification.

■ **Package Content Confirmation**

The package contains the following components. Before using them, please confirm whether all goods are complete.

- 1. Ion air gun.....1 set
- 2. Power adapter.....1 pc
- 3. Electric wire and air tube.....1 pc
- 4. O type ring.....3 pcs
- 5. Warranty card.....1 pc
- 6. Inspection report.....1 pc
- 7. Certificate of conformity.....1 pc