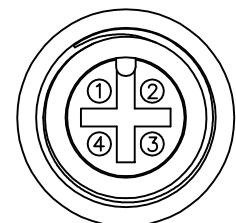
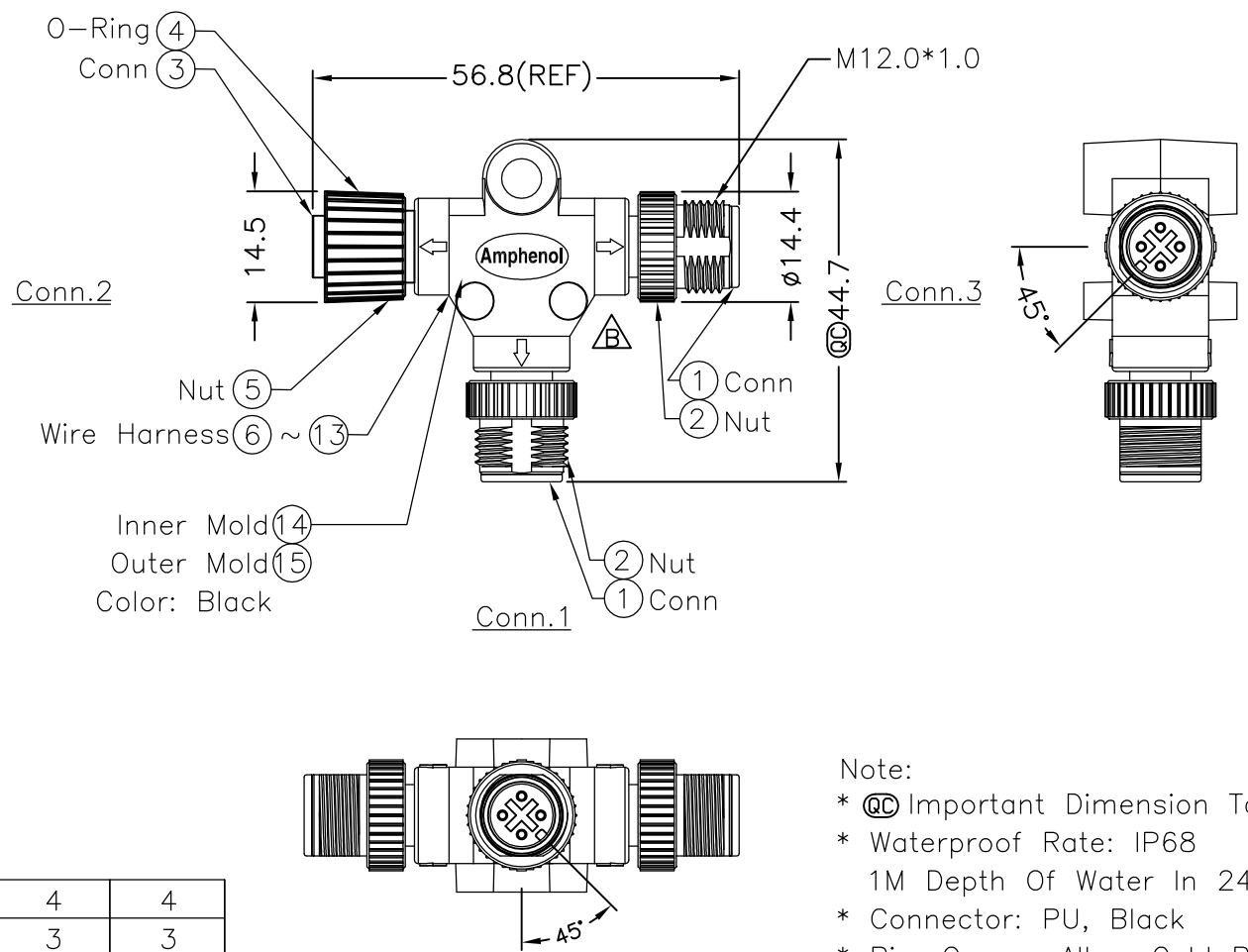
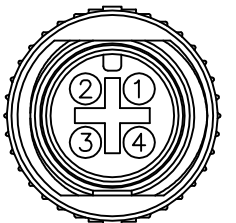


| | | | | |
|------|------------|------------|-------|-------------|
| REV. | ECN NO. | DATE | SIGN | DESCRIPTION |
| B | LEN1350134 | 2013/05/08 | Lu Di | Change Logo |



Conn.2.
Pin Assignments
Front View



Conn.1 & Conn.3
Pin Assignments
Front View

| | | | | |
|------------|---|--------|--------|--------|
| Green | 綠 | 4 | 4 | 4 |
| Blue | 藍 | 3 | 3 | 3 |
| White | 白 | 2 | 2 | 2 |
| Black | 黑 | 1 | 1 | 1 |
| Wire Color | | Conn.1 | Conn.2 | Conn.3 |

Pin Out

- Note:
- * @C Important Dimension To Check
 - * Waterproof Rate: IP68
1M Depth Of Water In 24 Hours
 - * Connector: PU, Black
 - * Pin: Copper Alloy, Gold Plated
 - * Nut: Zinc Alloy, Nickel Plated
 - * O-Ring: Viton, Green
 - * Wire Harness: UL1007 24AWG 8PCS

| | |
|-----------|------|
| UNIT:mm | |
| TOLERANCE | ±0.5 |

| | |
|---|-----------------|
| TITLE M12 Conn T Adaptor Screw MFM Conn MFM Pin | |
| SCALE Free | SHEET 1 OF 1 |
| REV. B | SIZE A4 |
| @C :Inspection Item | |

Amphenol LTW
安費諾亮泰企業股份有限公司

| | |
|--------------------------------|-----------------------|
| ITEM NO SS-040404-MFM-TS001 | DRAWN BY Lu Di |
| DWG NO SS-040404-MFM-TS001 | CHECKED BY Mafei |
| CUSTOMER ALTW | APPROVED BY Victor |

| |
|--------------------|
| DATE 2013/05/08 |
| DATE 2013/05/08 |
| DATE 2013/05/08 |

THIS DOCUMENT IS SUBJECT TO CHANGE WITHOUT NOTICE. IT IS CONFIDENTIAL AND A PROPERTY OF Amphenol LTW. DISCLOSURE TO THIRD PARTY HAS TO BE AUTHORIZED BY Amphenol LTW.

F
E
D
C
B
A

1 2 3 4 5 6 7 8