



RVT101HVHNWC00

IPS HDMI 10.1" LCD DATASHEET

Rev.1.0

2021-08-27

| ITEM | CONTENTS | UNIT |
|--------------------------------|---------------------------------------|-------------------|
| LCD Type | TFT/Transmissive/Normally Black/IPS | / |
| Size | 10.1 | Inch |
| Viewing Direction | Free | / |
| Outside Dimensions (W x H x D) | 257.96 x 168.60 x 19.68 | mm |
| Active Area (W x H) | 216.96 x 135.60 | mm |
| Pixel Pitch (W x H) | 0.1695 x 0.1695 | mm |
| Resolution | 1280 (RGB) x 800 | / |
| Brightness | Max. 800 | cd/m ² |
| Color Depth | 16.7 M | / |
| Pixel Arrangement | RGB Vertical Stripe | / |
| Controller of the Main Board | RTD2556T | / |
| Video Interface | HDMI | / |
| With/Without Touch | With Projected Capacitive Touch Panel | / |
| CTP Driver | ILI2132A | / |
| Touch Panel Interface | USB-C | / |
| Power Supply | Power Jack (DC 8.0V - 14.0 V) | V |
| Weight | 515 | g |

Note 1: RoHS3 compliant

Note 2: LCM weight tolerance: $\pm 5\%$.



1. REVISION RECORD

| REV NO. | REV DATE | CONTENTS | REMARKS |
|---------|------------|-----------------|---------|
| 1.0 | 2021-08-27 | Initial Release | |



2. CONTENTS

| | | |
|------|---|----|
| 1. | REVISION RECORD..... | 2 |
| 2. | CONTENTS..... | 3 |
| 3. | MODULE CLASSIFICATION INFORMATION..... | 4 |
| 4. | ASSEMBLY GUIDE..... | 5 |
| 4.1 | uxTouch ASSEMBLY..... | 5 |
| 5. | MODULE DRAWING..... | 6 |
| 6. | ABSOLUTE MAXIMUM RATINGS..... | 7 |
| 7. | ELECTRICAL CHARACTERISTICS..... | 7 |
| 8. | BACKLIGHT DRIVING CONDITIONS..... | 7 |
| 9. | ELECTRO-OPTICAL CHARACTERISTICS..... | 8 |
| 10. | INTERFACE DESCRIPTION..... | 10 |
| 10.1 | PCB overview..... | 10 |
| 10.2 | Power connector - DC..... | 11 |
| 10.3 | HDMI connector – JPI..... | 11 |
| 10.4 | Touch panel connector - USB-C..... | 11 |
| 10.5 | External keyboard extension - J1..... | 12 |
| 10.6 | Backlight PWM & power - J5..... | 12 |
| 10.7 | UART connector - J2..... | 12 |
| 11. | DISPLAY SPECIFICATION..... | 12 |
| 11.1 | TFT resolution..... | 12 |
| 11.2 | Full TFT specification..... | 12 |
| 12. | CAPACITIVE TOUCH SCREEN PANLE SPECIFICATIONS..... | 13 |
| 12.1 | Mechanical characteristics..... | 13 |
| 12.2 | Electrical characteristics..... | 13 |
| 13. | INSPECTION..... | 14 |
| 13.1 | Inspection condition..... | 14 |
| 13.2 | Inspection standard..... | 15 |
| 14. | RELIABILITY TEST..... | 16 |
| 15. | LEGAL INFORMATION..... | 17 |



3. MODULE CLASSIFICATION INFORMATION

| RV | T | 101 | H | V | H | N | W | C | 00 |
|----|----|-----|----|----|----|----|----|----|-----|
| 1. | 2. | 3. | 4. | 5. | 6. | 7. | 8. | 9. | 10. |

| NO. | PARAMETER | SYMBOL |
|-----|------------------|--|
| 1. | BRAND | RV – Riverdi |
| 2. | PRODUCT TYPE | T – TFT Standard |
| 3. | DISPLAY SIZE | 101 – 10.1" |
| 4. | MODEL SERIAL NO. | H – High Brightness, IPS |
| 5. | RESOLUTION | V – 1280 x 800 px |
| 6. | INTERFACE | H – HDMI |
| 7. | FRAME | N – Without Mounting Metal Frame |
| 8. | BACKLIGHT TYPE | W – LED White |
| 9. | TOUCH PANEL | C – With Capacitive Touch Panel, uxTouch |
| 10. | VERSION | 00 – (00-99) |

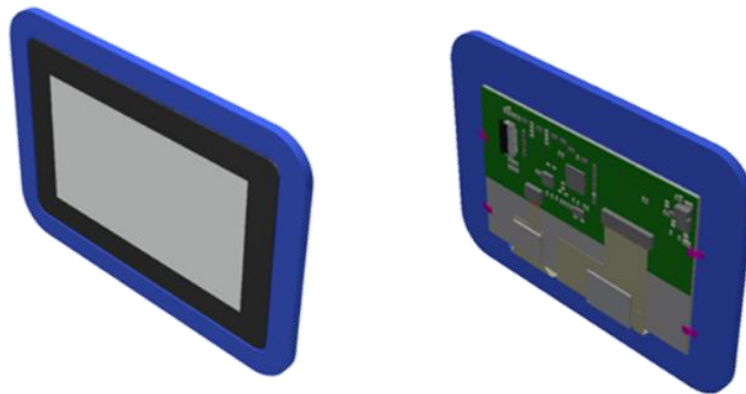
4. ASSEMBLY GUIDE

4.1 uxTouch ASSEMBLY

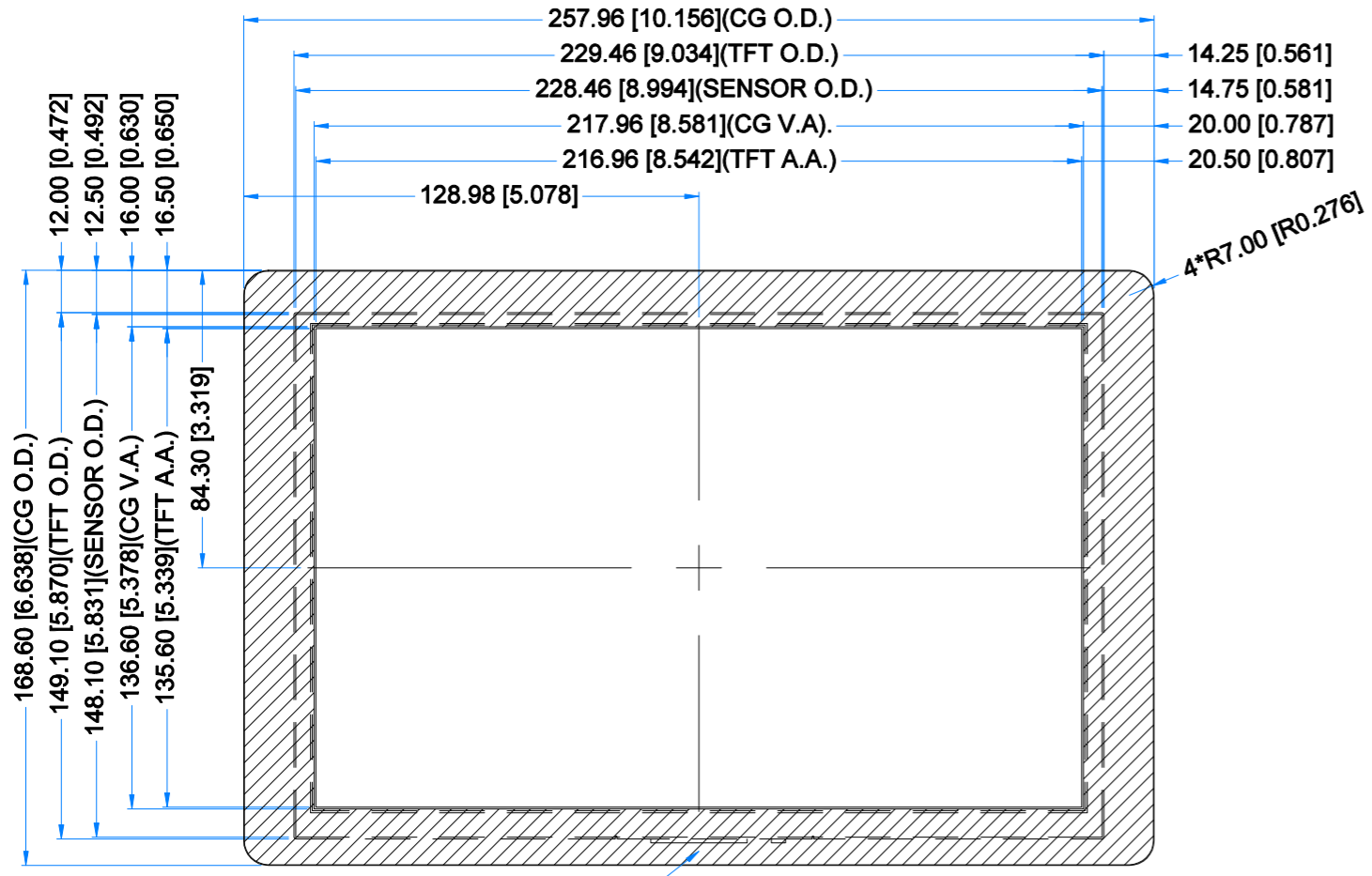
uxTouch are LCD TFT displays with specially designed projected capacitive touch panels. uxTouch display can be mounted without any additional holes in the housing. Our standard uxTouch displays include double-sided adhesive tape (DST) to stick TFT easily to the housing.

uxTouch models with double-side adhesive tape can be mounted by fastening the glass to the housing.

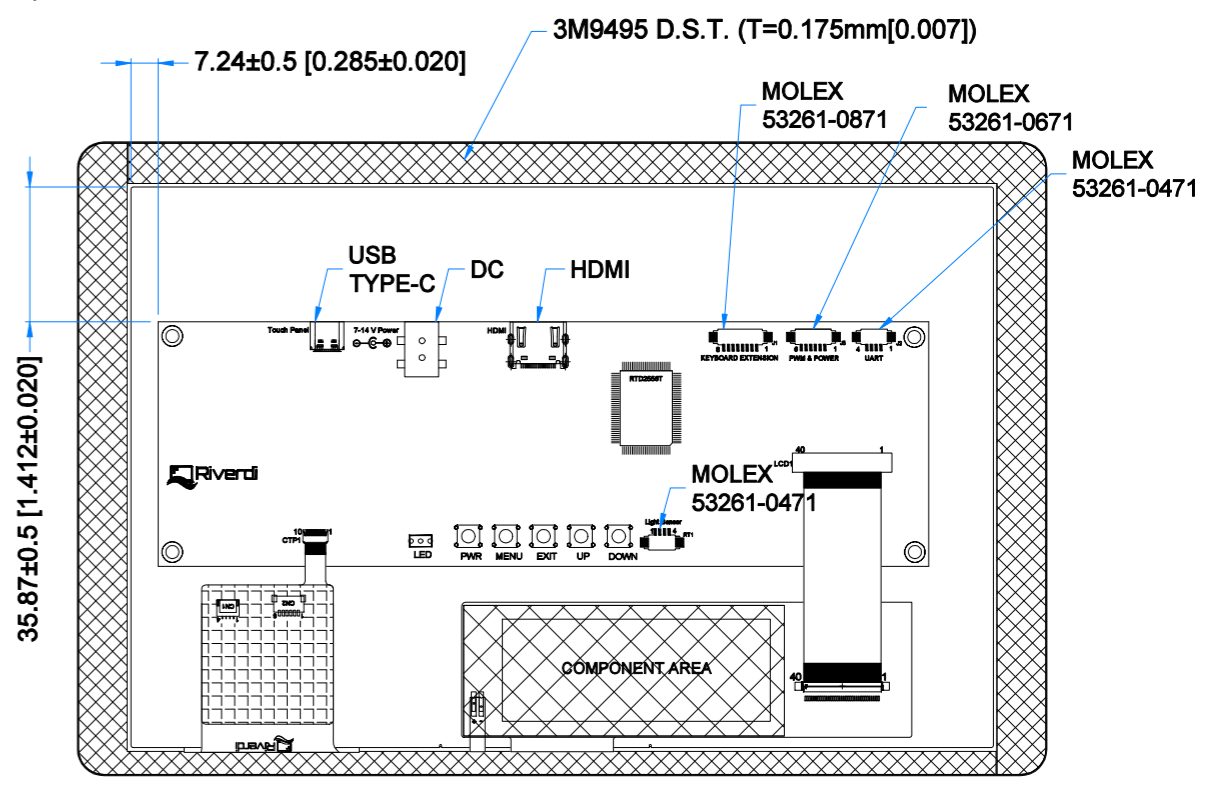
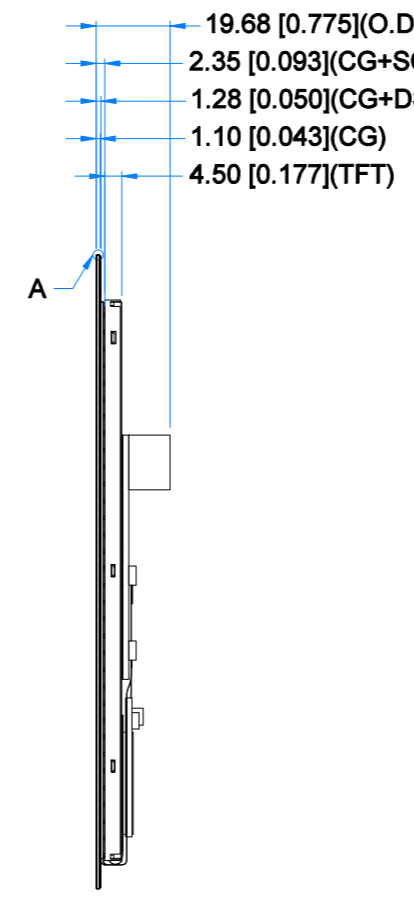
Figure 1. Example of using the support brackets



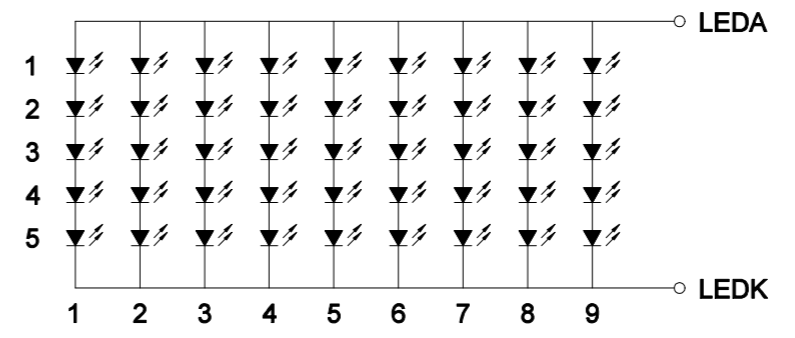
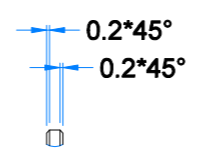
| | | |
|-----------|--------------|------------|
| Revision: | Changes: | Date: |
| 1.0 | Initial Case | 2021.06.16 |



BLACK MASK PRINTING
 COLOR: RAL9005



DETAIL A
 SCALE 4:1



LED Diagram Circuit

LCM NOTES:
 1. LCD TYPE: TRANSMISSIVE, NORMALLY BLACK, IPS
 2. RESOLUTION: 1280x800
 3. VIEWING ANGLE: FREE
 4. CONTROLLER IC OF MAIN BOARD: RTD2556T
 5. VIDEO INTERFACE: HDMI
 6. POWER SUPPLY: POWER JACK (7.0-14.0V)
 7. ZERO BAD PIXEL

TP NOTES:
 1. TP STRUCTURE: G+G
 2. CG THICKNESS: 1.10mm[0.043inch]
 3. SURFACE HARDNESS: 7H
 4. DRIVER IC: ILI2132A
 5. INTERFACE: USB-C

GENERAL NOTES:
 1. MODULE SURFACE LUMINANCE: 800 cd/m²
 2. OPERATING TEMPERATURE: -20°C ~ 70°C
 3. STORAGE TEMPERATURE: -30°C ~ 80°C
 4. WITHOUT INDIVIDUAL TOLERANCE:
 ±0.3mm[0.012inch]
 5. RoHS3 COMPLIANT

PN: RVT101HVHNWC00
 SN:
 DRAWN: M.Natywa
 CHECKED: K.Brodacka
 APPR:



2021.06.16 1:2.01
 2021.07.07 [mm]
 ISO A3 P. 1 of 1



6. ABSOLUTE MAXIMUM RATINGS

| PARAMETER | SYMBOL | MIN | MAX | UNIT |
|---|-----------------|-----|------|------|
| Supply Voltage for Module | VDD | 8.0 | 14.0 | V |
| Operating Temperature | T _{OP} | -20 | 70 | °C |
| Storage Temperature | T _{ST} | -30 | 80 | °C |
| Storage Humidity (@ 25 ± 5°C) | H _{ST} | 10 | - | % RH |
| Operating Ambient Humidity (@ 25 ± 5°C) | H _{OP} | 10 | - | % RH |

Note. Exceeding maximum values may cause operation or damage to the unit.

7. ELECTRICAL CHARACTERISTICS

| PARAMETER | SYMBOL | MIN | TYP | MAX | UNIT | NOTE |
|---------------------------|------------------------|-----|------|------|------|--------|
| Supply Voltage for Module | VDD | 8.0 | 12.0 | 14.0 | V | |
| Current Drawn from VDD | I _{VDD=8.0V} | 293 | 946 | 1600 | mA | NOTE 1 |
| Current Drawn from VDD | I _{VDD=12.0V} | 189 | 569 | 950 | mA | |
| Current Drawn from VDD | I _{VDD=14.0V} | 194 | 495 | 796 | mA | |

Note 1. Mi. Current was measured with BL brightness set to 0%,
 Typ. current was measured with BL brightness set to 50%,
 Max. current was measured with BL brightness set to 100%.

8. BACKLIGHT DRIVING CONDITIONS

| PARAMETER | SYMBOL | MIN | TYP | MAX | UNIT |
|-----------------------------|--------|-----|--------|-----|------|
| Backlight Power Consumption | WBL | - | 5760 | - | mW |
| Lifetime | - | - | 50,000 | - | |

Note. Operating life means the period in which the LED brightness goes down to 50% of the initial brightness. Typical operating lifetime is the estimated parameter.



9. ELECTRO-OPTICAL CHARACTERISTICS

Optical characteristics are determined after the unit has been ‘ON’ and stable for approximately 30 minutes in a dark environment at 25 °C. The values specified are at an approximate distance 500mm from the LCD surface at a viewing angle of Φ and θ equal to 0°.

| ITEM | SYMBOL | CONDITION | MIN | TYP | MAX | UNIT | RMK | NOTE |
|-------------------------|-------------------|--|------|------|------|-------|--------|------|
| Response Time | Tr+Tf | $\theta=0^\circ$ $\phi=0^\circ$ Ta=25 °C | - | 25 | 35 | ms | FIG 2. | 4 |
| Contrast Ratio | Cr | | - | 800 | 1000 | --- | FIG 3. | 1 |
| Luminance Uniformity | δ WHITE | | - | 75 | - | % | FIG 3. | 3 |
| Surface Luminance | Lv | | - | - | 800 | cd/m2 | FIG 3. | 2 |
| Viewing Angle Range | θ | $\phi = 90^\circ$ | 75 | 85 | - | deg | FIG 4. | 6 |
| | | $\phi = 270^\circ$ | 75 | 85 | - | deg | FIG 4. | |
| | | $\phi = 0^\circ$ | 75 | 85 | - | deg | FIG 4. | |
| | | $\phi = 180^\circ$ | 75 | 85 | - | deg | FIG 4. | |
| CIE (x, y) Chromaticity | Rx | $\theta=0^\circ$ $\phi=0^\circ$ Ta=25 °C | 0.22 | 0.26 | 0.30 | - | FIG 3. | 5 |
| | Ry | | 0.20 | 0.24 | 0.28 | - | | |
| | Gx | | 0.34 | 0.38 | 0.42 | - | | |
| | Gy | | 0.50 | 0.54 | 0.58 | - | | |
| | Bx | | 0.10 | 0.14 | 0.18 | - | | |
| | By | | 0.09 | 0.13 | 0.17 | - | | |
| | Wx | | 0.28 | 0.32 | 0.36 | - | | |
| | Wy | | 0.29 | 0.33 | 0.37 | - | | |

Note 1. Contrast Ratio (CR) is defined mathematically as below, for more information see Figure 3.

$$\text{Contrast Ratio} = \frac{\text{Average Surface Luminance with all white pixels (P1, P2, P3, P4, P5)}}{\text{Average Surface Luminance with all black pixels (P1, P2, P3, P4, P5)}}$$

Note 2. Surface luminance is the LCD surface from the surface with all pixels displaying white. For more information see Figure 3.

$$L_v = \text{Average Surface Luminance with all white pixels (P1, P2, P3, P4, P5)}$$

Note 3. The uniformity in surface luminance δ WHITE is determined by measuring luminance at each test position 1 through 5, and then dividing the minimum luminance of 5 points luminance by maximum luminance of 5 points luminance. For more information see Figure 3.

$$\delta \text{ WHITE} = \frac{\text{Minimum Surface Luminance with all white pixels (P1, P2, P3, P4, P5)}}{\text{Maximum Surface Luminance with all white pixels (P1, P2, P3, P4, P5)}}$$

Note 4. Response time is the time required for the display to transition from white to black (Rise Time, Tr) and from black to white (Decay Time, Tf). For additional information see Figure 2. The test equipment is Autronic-Melchers’s ConoScope series.

Note 5. CIE (x, y) chromaticity, the x, y value is determined by measuring luminance at each test position 1 through 5, and then calculating the average value.

Note 6. Viewing angle is the angle at which the contrast ratio is greater than 2. For TFT module the contrast ratio is greater than 10. The angles are determined for the horizontal

or x axis and the vertical or y axis with respect to the z axis which is normal to LCD surface. For more information see Figure 4.

Note 7. For viewing angle and response time testing, the testing data is based on Autronic-Melchers's ConoScope series. Instruments for Contrast Ratio, Surface Luminance, Luminance Uniformity, CIE the test data is based on TOPCON's BM-5 photo detector.

Figure 2. The definition of response time

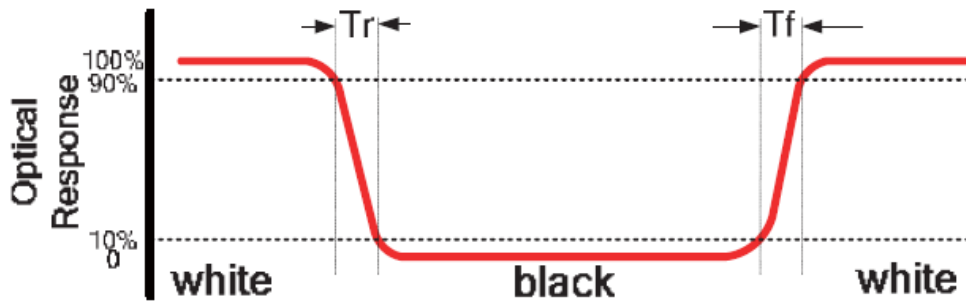
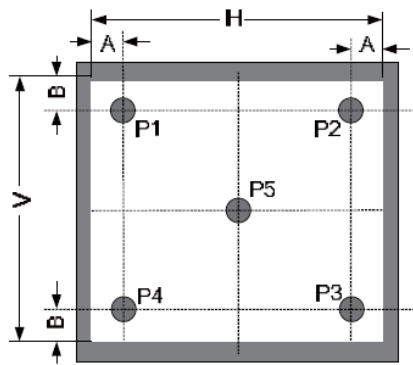


Figure 3. Measuring method for Contrast ratio, surface luminance, Luminance uniformity, CIE (x, y) chromaticity



A: 5mm

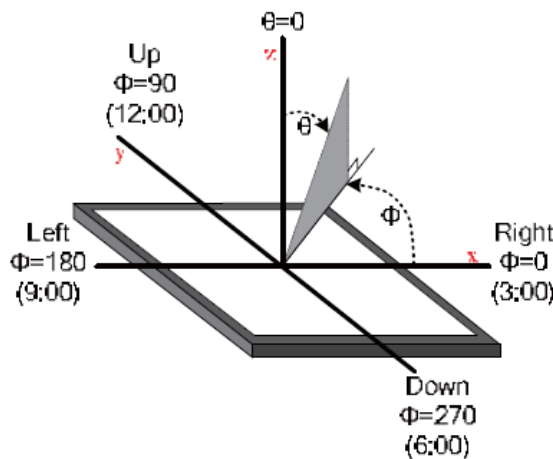
B: 5mm

H, V: Active Area

Light spot size $\varnothing=5\text{mm}$, 500mm distance from the LCD surface to detector lens.

Measurement instrument is TOPCON'S luminance meter BM-5

Figure 4. The definition of viewing angle

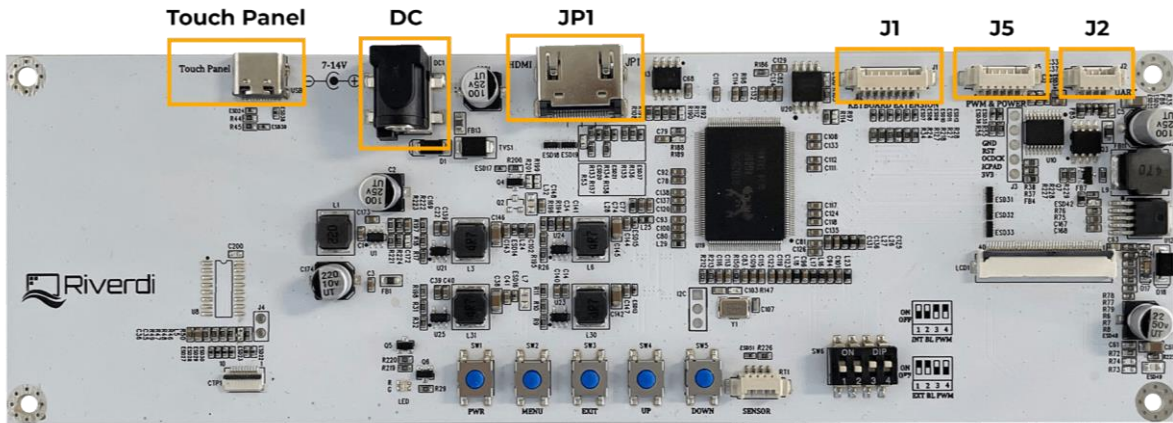


10. INTERFACE DESCRIPTION

10.1 PCB overview

Picture below shows the connectors exact placement and their descriptions.

The descriptions were extended for legibility reasons (table references)



| NAME | CONNECTOR | DESCRIPTION | NOTE |
|-------------|-----------------------------|--|--------|
| Touch Panel | USB-C | Touch panel interface This is only for versions with touch panel. | |
| DC | Power Jack | DC Jack, (5.5 mm OD; 2.1mm ID) This is the connector to power on the TFT module. It allows DC for voltage range from 7.0V to 14.0V | |
| JP2 | HDMI connector | This is the connector to which you can connect the HDMI signal source to the module. | |
| J1 | External keyboard connector | Molex 53261-0871; Horizontal, 1.25mm; 8 pins. The connector is reserved for external keyboard. Performs the same functions: PWR, MENU, EXIT, UP, DOWN as the push buttons on PCB. | Note 1 |
| J5 | Backlight PWM & Power | Molex 53261-0671; Horizontal, 1.25mm; 6 pins. The unit realizes the function of digital dimming. This connector enables to control backlight PWM externally. | Note 2 |
| J2 | UART | Molex 53261-0471; Horizontal, 1.25mm; 4 pins. It supports asynchronous serial communication UART port. | Note 3 |

Note 1. External keyboards are optional, not included in the standard completion.

Note 2. 4 position-DIP onboard switch SW6 is used to choose the power to backlight.

The settings are:

INTERNAL BL PWM: Set 1&2 to OFF, and 3&4 to ON,

EXTERNAL BL PWM: Set 1&2 to ON, and 3&4 to OFF.

Note 3. UART functionality is under development process and will be documented in next version of this datasheet.

Note 4. The feature of the light sensor is currently unavailable. If it's in demand, please contact us for confirmation.



10.2 Power connector - DC

| PIN NO. | SYMBOL | DESCRIPTION |
|---------|--------|-----------------|
| 1 | VDD | Power supply DC |
| 2 | GND | GND |

10.3 HDMI connector – JPI

| PIN NO. | SYMBOL | DESCRIPTION |
|---------|--------------------|---------------------------------|
| 1 | TMDS Data 2+ | TMDS differential signal 2+ |
| 2 | TMDS Data2 Shield | Data2 shielding ground |
| 3 | TMDS Data 2- | TMDS differential signal 2- |
| 4 | TMDS Data 1+ | TMDS differential signal 1+ |
| 5 | TMDS Data1 Shield | Data1 shielding ground |
| 6 | TMDS Data 1- | TMDS differential signal 1- |
| 7 | TMDS Data 0+ | TMDS differential signal 0+ |
| 8 | TMDS Data 0 Shield | Data0 shielding ground |
| 9 | TMDS Data 0- | TMDS differential signal 0- |
| 10 | TMDS Data Clock+ | TMDS differential signal Clock+ |
| 11 | TMDS Data Shield | Clock shielding ground |
| 12 | TMDS Data Clock- | TMDS differential signal Clock- |
| 13 | CEC | Electronic protocol CEC |
| 14 | NC | No Connection |
| 15 | SCL | I ² C clock Line |
| 16 | SDA | I ² C data Line |
| 17 | DDC/CEC GND | Data display channel |
| 18 | +5V | HDMI 5V |
| 19 | Hot Plug Detect | Hot plug Detect |

10.4 Touch panel connector - USB-C

| PIN NO. | SYMBOL | DESCRIPTION |
|---------|---------|---|
| A1 | USB_GND | USB_Ground |
| B12 | USB_GND | USB_Ground |
| A4 | V_BUS | V_Bus Power; 5V |
| B9 | V_BUS | V_Bus Power; 5V |
| A5 | CC1 | Configuration channel |
| A6 | DP1 | USB differential pair, position 1, positive |
| A7 | DN1 | USB differential pair, position 1, negative |
| A8 | SBU1 | Sideband use |
| B5 | CC2 | Configuration channel |
| B6 | DP2 | USB differential pair, position 2, positive |
| B7 | DN2 | USB differential pair, position 2, negative |
| B8 | SBU2 | Configuration channel |
| A9 | V_BUS | V_Bus Power; 5V |
| B4 | V_BUS | V_Bus Power; 5V |
| A12 | USB_GND | USB_Ground |
| B1 | USB_GND | USB_Ground |



Note 1. All the signals in Touch panel connector are in accordance with USB-C standard.

10.5 External keyboard extension - J1

| PIN NO. | SYMBOL | DESCRIPTION |
|---------|--------------|----------------------------|
| 1 | Down | Page down |
| 2 | Up | Page up |
| 3 | Exit | Exit |
| 4 | Menu | Menu |
| 5 | PWR | Power on/off |
| 6 | LED_EN | LED Enable. Active H, 3.3V |
| 7 | GND | Ground |
| 8 | Keyboard VDD | Keyboard VDD, max. 3.3 V |

10.6 Backlight PWM & power - J5

| PIN NO. | SYMBOL | DESCRIPTION |
|---------|--------|-----------------------------|
| 1 | GND | Ground |
| 2 | GND | Ground |
| 3 | EN | Backlight enable, active H |
| 4 | PWM | PWM input (frequency - TBD) |
| 5 | VDD | Power supply (max. 10.60 V) |
| 6 | VDD | Power supply (max. 10.60 V) |

Note. 4 position-DIP onboard switch **SW6** is used to choose the power source to backlight. The settings are:

- a) INTERNAL BL PWM: Set 1&2 to OFF, and 3&4 to ON,
- b) EXTERNAL BL PWM: Set 1&2 to ON, and 3&4 to OFF.

10.7 UART connector - J2

| PIN NO. | SYMBOL | DESCRIPTION |
|---------|--------|---------------|
| 1 | GND | Ground |
| 2 | RXD | Receive Data |
| 3 | TXD | Transmit Data |
| 4 | VDD | VDD 3.3V |

Note. UART functionality is under development process and will be documented in next version of this datasheet.

11. DISPLAY SPECIFICATION

11.1 TFT resolution

The supported resolution of the display in this module is 1280*800.

11.2 Full TFT specification

For detailed information on the display, please refer to datasheet of display [RVTI01HVLNWC00](#)



12. CAPACITIVE TOUCH SCREEN PANLE SPECIFICATIONS

12.1 Mechanical characteristics

| DESCRIPTION | SPECIFICATION | REMARK |
|--------------------------|-----------------------|---------|
| Touch Panel Size | 10.1 inch | uxTouch |
| Outline Dimension of CTP | 257.96 mm x 168.60 mm | |
| Product Thickness | 2.35 mm | |
| Glass Thickness | 1.1mm | |
| CTP View Area | 217.96 mm x 136.60 mm | |
| Sensor Active Area | 218.96mm x 137.60 mm | |
| Structure type | Glass+Glass | |
| Surface Hardness | 7H | |

12.2 Electrical characteristics

| PARAMETER | SPECIFICATION | | REMARK |
|-------------------------|---------------|-------|---------|
| Power Consumption (IDD) | Active Mode | 90 mA | uxTouch |
| | Sleep Mode | 10 mA | |
| Linearity | +/-1.5mm | | |
| Controller | ILI2132A | | |
| Resolution | 1280 x 800 | | |

13. INSPECTION

Standard acceptance/rejection criteria for TFT module

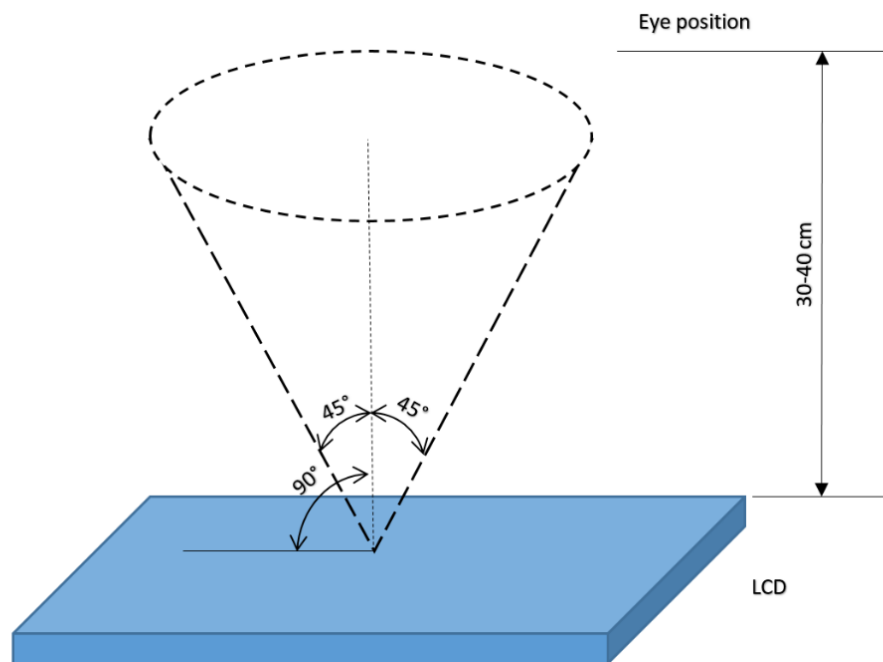
13.1 Inspection condition

Ambient conditions:

- Temperature: $25 \pm 2^\circ\text{C}$
- Humidity: $(60 \pm 10) \%RH$
- Illumination: Single fluorescent lamp non-directive (300 to 700 lux)

Viewing distance: $35 \pm 5\text{cm}$ between inspector bare eye and LCD.

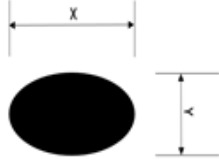

Viewing Angle: U/D: $45^\circ/45^\circ$, L/R: $45^\circ/45^\circ$





13.2 Inspection standard

The LCD TFT has zero bad pixels. Please refer the item “Bright/Dark dots”.

| ITEM | | CRITERION | | |
|--|--|----------------------------------|-------------------------|---------------|
| Black spots, white spots, light leakage, Foreign Particle (round Type) |  $D=(x+y)/2$ Spots density: 10 mm | Size = 10.1" | | |
| | | Average Diameter | Qualified Qty | |
| | | $D \leq 0.2$ mm | Ignored | |
| | | $0.2 \text{ mm} < D \leq 0.3$ mm | N≤4 | |
| | | $0.5\text{mm} < D$ | Not allowed | |
| LCD black spots, white spots, light leakage (line Type) |  Spots density: 10 mm | Size = 10.1" | | |
| | | Length | Width | Qualified Qty |
| | | - | $W \leq 0.05$ | Ignored |
| | | $L \leq 5.0$ | $0.05 < W \leq 0.1$ | N≤3 |
| | | $5.0 < L$ | $0.10 < W$ $5.0 < L$ | Not allowed |
| Bright/Dark Dots | Size = 10.1 | | | |
| | Item | Qualified Qty | | |
| | Bright dots | 0 | | |
| | Dark dots | 0 | | |
| | Cluster Bright Dots or Dark Dots | 0 | | |
| Clear spots | Size ≥ 5.0" | | | |
| | Average Diameter | Qualified Qty | | |
| | $D < 0.2$ mm | Ignored | | |
| | $0.2 \text{ mm} < D < 0.3$ mm | 4 | | |
| | $0.3 \text{ mm} < D < 0.5$ mm | 2 | | |
| | $0.5 \text{ mm} < D$ | 0 | | |
| Touch panel spots | Size ≥ 5.0" | | | |
| | Average Diameter | Qualified Qty | | |
| | $D < 0.25$ mm | Ignored | | |
| | $0.25 \text{ mm} < D < 0.5$ mm | 4 | | |
| Touch panel white line scratch | Size ≥ 5.0" | | | |
| | Length | Width | Qualified Qty | |
| | - | $W < 0.03$ | Ignored | |
| | $L < 5.0$ | $0.03 < W < 0.05$ | 2 | |
| - | $0.05 < W$ | 0 | | |



14. RELIABILITY TEST

| NO. | TEST ITEM | TEST CONDITION | NOTE |
|-----|-------------------------------------|--|--------|
| 1 | High Temperature Storage | 80°C/120 hours | Note 1 |
| 2 | Low Temperature Storage | -30°C/120 hours | |
| 3 | High Temperature Operating | 70 °C /120 hours | |
| 4 | Low Temperature Operating | -20°C/120 hours | |
| 5 | High Temperature and High Humidity | Humidity 40°C, 90%RH, 120Hrs | |
| 6 | Thermal Cycling Test (No operation) | -20°C for 30min, 70°C for 30 min. 100 cycles. Then test at room temperature after 1 hour | Note 2 |
| 7 | Vibration Test | Frequency: 10 ÷ 55 Hz. Stroke: 1.5 mm. Sweep: 10Hz ÷ 55Hz ÷ 10 Hz. 2 hours for each direction of X, Y, Z (Total 6 hours) | |
| 8 | Package Drop Test | Height: 60 cm 1 corner, 3 edges, 6 surfaces | |

Note 1. Sample quantity for each test item is 5 ÷ 10 pcs.

Note 2. Before cosmetic and function test, the product must have enough recovery time, at least 2 hours at room temperature.



15. LEGAL INFORMATION

Riverdi grants the guarantee for the proper operation of the goods for a period of 12 months from the date of possession of the goods. If in a consequence of this guaranteed execution the customer has received the defects-free item as replacement for the defective item, the effectiveness period of this guarantee shall start anew from the moment the customer receives the defects-free item.

Information about device is the property of Riverdi and may be the subject of patents pending or granted. It is not allowed to copy or disclosed this document without prior written permission.

Riverdi endeavors to ensure that all contained information in this document is correct but does not accept liability for any error or omission. Riverdi products are in developing process and published information may be not up to date. Riverdi reserves the right to update and makes changes to Specifications or written material without prior notice at any time. It is important to check the current position with Riverdi.

Images and graphics used in this document are only for illustrative the purpose. All images and graphics are possible to be displayed on the range products of Riverdi, however the quality may vary. Riverdi is no liable to the buyer or to any third party for any indirect, incidental, special, consequential, punitive, or exemplary damages (including without limitation lost profits, lost savings, or loss of business opportunity) relating to any product, service provided or to be provided by Riverdi, or the use or inability to use the same, even if Riverdi has been advised of the possibility of such damages.

Riverdi products are not fault tolerant nor designed, manufactured or intended for use or resale as on line control equipment in hazardous environments requiring fail-safe performance, such as in the operation of nuclear facilities, aircraft navigation or communication systems, air traffic control, direct life support machines or weapons systems in which the failure of the product could lead directly to death, personal injury or severe physical or environmental damage ('High-Risk Activities'). Riverdi and its suppliers specifically disclaim any expressed or implied warranty of fitness for High-Risk Activities. Using Riverdi products and devices in 'High-Risk Activities' and in any other application is entirely at the buyer's risk, and the buyer agrees to defend, indemnify, and hold harmless Riverdi from all damages, claims or expenses resulting from such use. No licenses are conveyed, implicitly or otherwise, under any Riverdi intellectual property rights.

Hi, I am here to help you!
If you have any additional
questions, please contact
our support via email:
contact@riverdi.com

