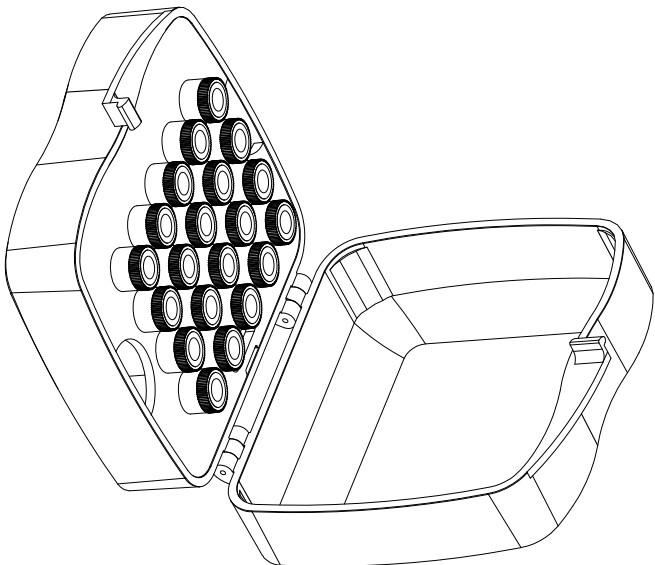
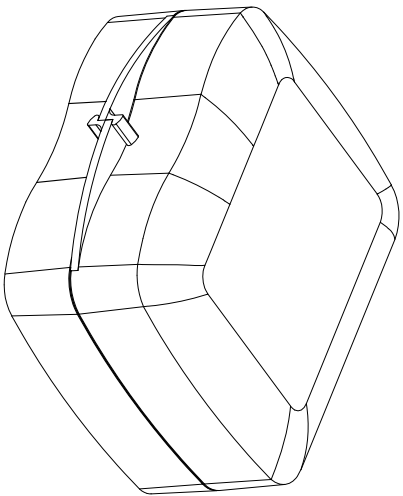
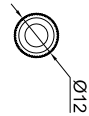


125.0



		<b>Assembly SLS25</b>		<b>SLS25</b>	
Subject to technical modification without prior notice. Topographical and other errors do not justify any claim for damages. All dimensions should be verified using an actual moulded part. This document contains proprietary information of TEKO S.p.A. and is transferred or copied under the conditions that the information be retained in confidence not be reproduced or copied and not be used or inspected in any form.		Date: 18/1/2010		Scale: 1:1	
Part Number:		Rev. Number:		Sheet:	
A2		A2		A2	