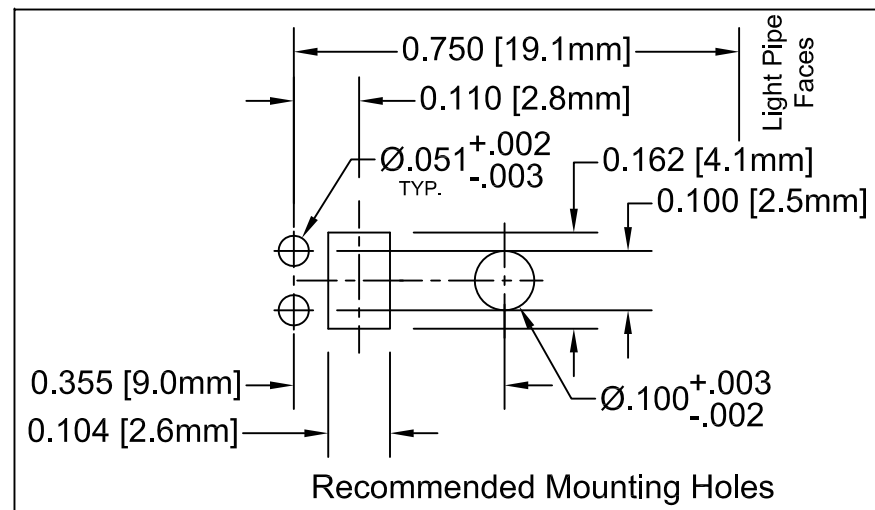
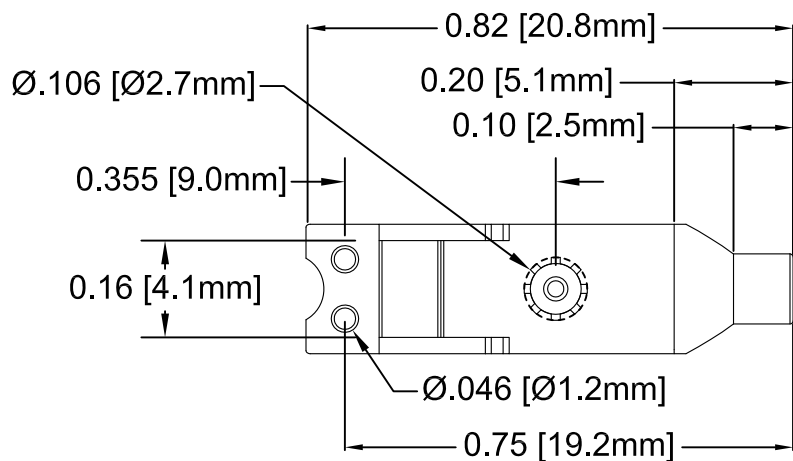
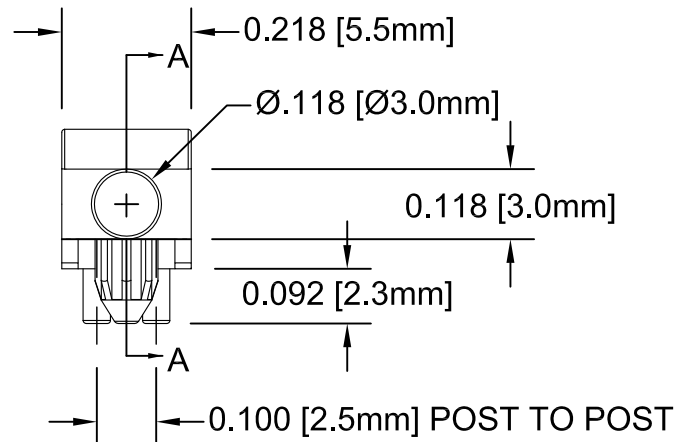
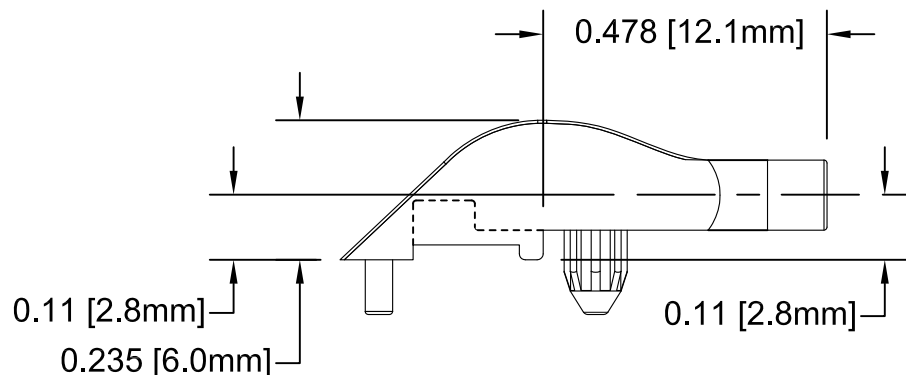


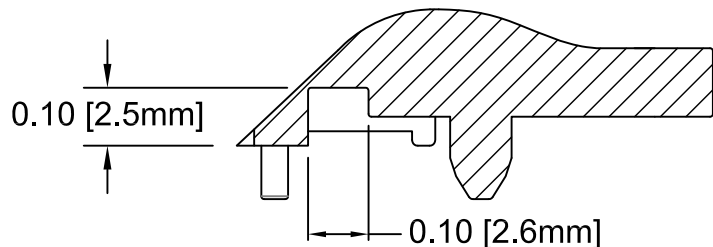
NOTES:

1. GENERAL SPECIFICATIONS: BIVAR MOLDED COMPONENT SPECIFICATION BV00-E101.
2. MATERIAL: POLYCARBONATE, 94V-0, CLEAR.

REV.	DESCRIPTION	DATE	APPROVED
C	Material Code Correction	02/08/07	M. C.
D	Updated Material Note and Mounting Holes Dim.	02/03/14	J. C.
E	Engineering Update w/o Changes	02/05/16	J. C.
F	Updated Mounting Holes Dimension	03/24/16	J. C.
G	ECO-1084 - Updated Dimensions	01/13/21	A. V.



**CUSTOMER USE DRAWING**



SECTION A-A

STANDARD TOLERANCE (UNLESS OTHERWISE SPECIFIED)		<b>BIVAR</b> <sup>®</sup>	
DECIMALS	ANGULAR	4 THOMAS, IRVINE, CA, 92618	
.X ± .1	X° ± 1°	TEL: (949) 951-8808 FAX: (949) 951-3974	
.XX ± .01		TITLE: FLEXIBLE LIGHT PIPE SMD LED ADAPTER ASSEMBLY	
.XXX ± .005		PART NO: SLP-1-3	
DESIGNED: S. IRVING	DATE: 11/23/98	REV: G	
REVISD: K. BARON	DATE: 01/13/21	CAGE CODE: 32559	
CHECKED: A. VALDEZ	DATE: 01/13/21	SCALE: 1:1	SHEET # 1 OF 1
CAD GENERATED DOCUMENT, DO NOT MEASURE DRAWING			