



R7600E-H

Specification

4G LTE Router

SIMCom Wireless Solutions Limited

Building 3, SIMCom Headquarters Building, No.289, Linhong Road
Changning District, Shanghai P.R. China

Tel: 86-21-31575100

support@simcom.com

www.simcom.com

Document Title:	R7600E-H Specification
Version:	1.0
Date:	2022-10-11
Status:	Released

COPYRIGHT

THIS DOCUMENT CONTAINS PROPRIETARY TECHNICAL INFORMATION WHICH IS THE PROPERTY OF SIMCOM WIRELESS SOLUTIONS LIMITED. COPYING, TO OTHERS AND USING THIS DOCUMENT, ARE FORBIDDEN WITHOUT EXPRESS AUTHORITY BY SIMCOM. OFFENDERS ARE LIABLE TO THE PAYMENT OF INDEMNIFICATIONS. ALL RIGHTS RESERVED BY SIMCOM IN THE PROPRIETARY TECHNICAL INFORMATION, INCLUDING BUT NOT LIMITED TO REGISTRATION GRANTING OF A PATENT, A UTILITY MODEL OR DESIGN. ALL SPECIFICATION SUPPLIED HEREIN ARE SUBJECT TO CHANGE WITHOUT NOTICE AT ANY TIME.

SIMCom Wireless Solutions Limited

Building 3, SIMCom Headquarters Building, No.289 Linhong Road, Changning District, Shanghai P.R.China
Tel: +86 21 31575100
Email: simcom@simcom.com

For technical support, or to report documentation errors, please visit:

<https://www.simcom.com/ask/> or email to: support@simcom.com

Copyright © 2020 SIMCom Wireless Solutions Limited All Rights Reserved.

Contents

1	Overview	5
2	Features	6
3	Hardware.....	7
4	Software.....	8
5	Dimensions.....	9
6	Panel indicators.....	10

Table Index

Table 1: General features	6
Table 2: General hardware	7
Table 3: General software	8

1 Overview

R7600E-H is 4G router with 2 x Ethernet, compact, robust and powerful device designed for industrial M2M/IoT applications. It provides security and stable Internet connectivity for Industrial applications and dedicated to SME & branches networking, self-service terminals, interactive advertising screen, lottery machine, smart locks and more scenarios.



2 Features

Table 1: General features

Feature	Implementation
4G LTE	Cat.4 with up to 150Mbps DL & 50Mbps UL
Easy integration	Standard DIN-Rail installation Compact Design
Maintainability	Support Web/CLI/Wedora Cloud platform management Zero-traffic active platform management Cloud OTA and monitoring
Connectivity	Predefined APN, one touch & ready to go
Stability	Hardware watchdog Industrial class SIM hot plug and network self-recovery
Networking	MQTT/ICMP/NAT/DMZ/Port Forward Supports PPTP/L2TP/IPSec/Supports

3 Hardware

Table 2: General hardware

Hardware	Implementation	
Model	R7600E-H	
Cellular	4G Cat.4 DL up to 150 Mbps, UL up to 50Mbps	LTE-FDD: B1/B3/B5/B7/B8/B20 WCDMA: B1/B8 GSM/GPRS: B3/B8
Connectors	1 x 4G SMA	SMA-K
	1 x External SIM holder	2FF
	1 x Reset	Reset
	2 x Ethernet	10/100Mbps
Status LEDs	1 x System status	
	2 x Ethernet status	
	3 x Cellular strength	
Power supply	+9V~12V	4 pin DC
Power consumption	Standby power consumption	About 100mA@12V DC
	Working power consumption	About 270mA@12V DC
Housing	Aluminium housing, plastic panels	
Weight	About 120g	
Dimensions	93.7×74.9×23.7(mm)	(without power connector and bracket)
Operating temperature	-30~+75°C	
Storage temperature	-40~+85°C	
Relative humidity	≤95%	no condensing

NOTE

Communication power consumption is affected by network signal strength and module network mode.

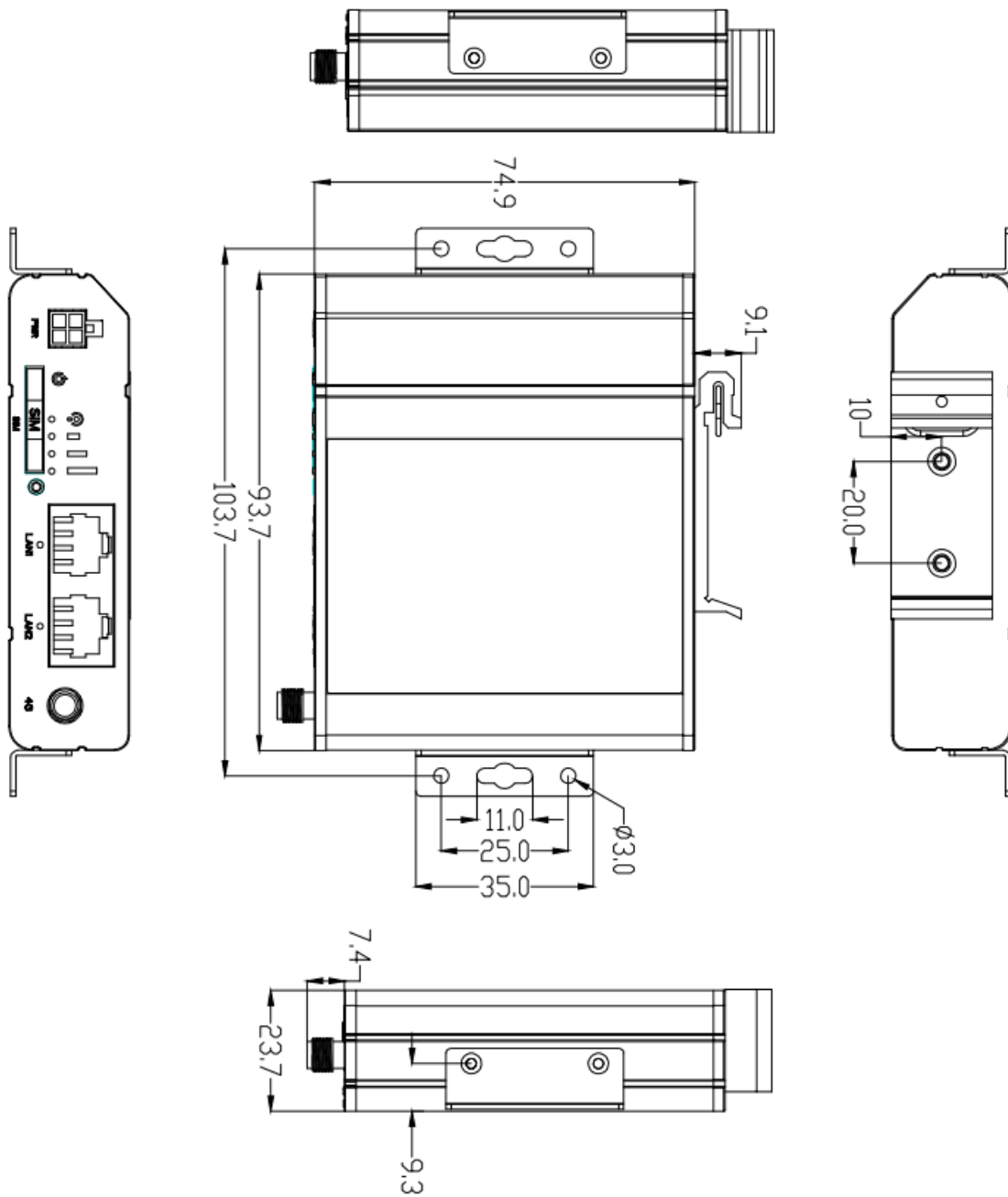
4 Software

Table 3: General software

Software	Implementation
One Touch	Predefined config & self-adaptive PDN, auto connect 4G cellular network
Network protocols	TCP, UDP, IPv4, ICMP, NTP, DHCP, DNS, HTTP, HTTPS, SSL, ARP, PPPoE, SSH, Telnet, SNMP, ICMP
Firewall	NAT, PAT, DMZ, Port Forward IP/Domain/MAC Filter Access Control List (ACL)
VPN	PPTP, L2TP, IPSec IKEv2, SHA2, AES256
Routing	Static Routing, Policy routing
Connection monitoring	ICMP Reboot, Periodic Reboot, PING Reboot, Remote Reboot, LCP and ICMP for link inspection
Connection Auto-Recovery	Hardware watchdog, Heartbeat, Self-diagnostic, Auto-recover
Management	WEB UI, SSH, MQTT, Telnet, Cloud Platform
Upgrade	WEB/TFTP/FTP, Cloud OTA
Cloud Platform	Statistics, Location, Group Management, IPFix, Alarm by email, Device/Platform log record, Batch config/upgrade, Traffic monitor, Secure remote access to application device

5 Dimensions

Unit: mm



6 Panel indicators

Table 4: Panel indicators

Indicator LEDs	Status description
NET	Steady on: Dial-up successful, access to 3G/4G network Slow flash: Dial-up successful, access to 2.5G network Fast flash: Dialing Off: Module not found or dialing disabled
RF	3 lights: signal value 21~31, excellent 2 lights: signal value 11~20, medium 1 lights: signal value 1~10, poor Off: signal value 0, no signal