



26mm Pixel LED Light



Product Description



- Control IC included, supporting numerous color-change effects.
- Controlled by SD controller, Arduino, DMX512, Artnet.
- Flexible PCB white color, 12V low voltage input.
- Every 1 Leds linear separable, custom-length available.
- Eco-green light, no UV, IR.
- Extremely long lifespan & lower power consumption.





Product Datasheet

Product	Number	P26V12
Light	Source	Epistar 5050 SMD LEDs
Beam	Angle	140°
LED	Quantity	3 leds/pcs
Cover	Color	Transparent / Frost
Diameter	(mm)	Ø26 (Light Body Size: H34*W30mm)
Drill Hole	Diameter	27mm~29mm
Emitting	Color	IC RGB
Operating	Voltage	DC12V
Power	(W)	0.72W/pcs
Control	(IC)	UCS1903
Luminous	(MCD)	R: 2100 G: 5100 B: 1800
Waterproof	Rating	IP65/IP67
Operation	Temperature	-10°C—40°C

Application

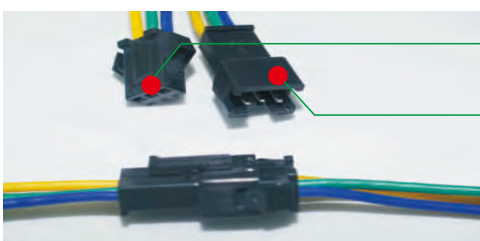


Amusement attractions, rides.

Dance Floor, Christmas Tree lighting etc.

carousels, luminous signs, Luna Park signs.

Casino lighting, Outdoor sign board.



3Pin JSM connector signal input

3Pin JSM connector signal output

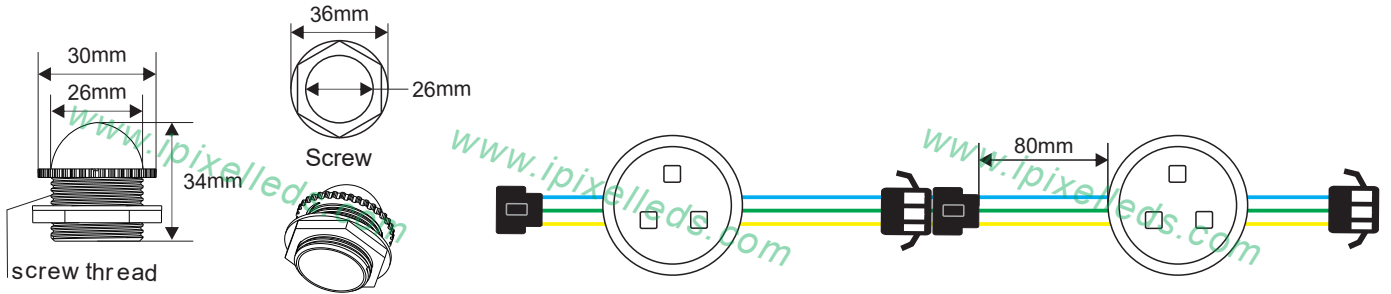
DC12V+

DAT

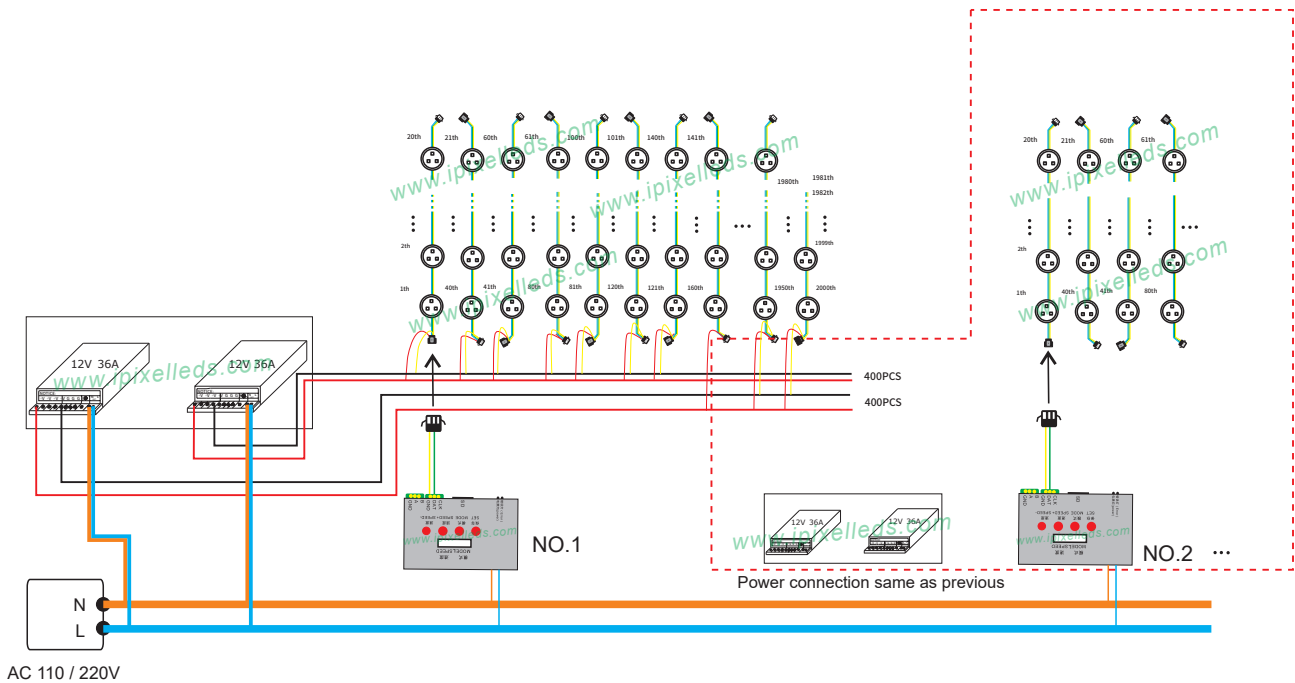
GND



Outline Dimension



Connection Drawing



on off by AC at the same time. we also have T4000、T8000 SD controller for more LED pixels. several controller can work in one project when the LED beyond 2000pcs, but the controllers must switch