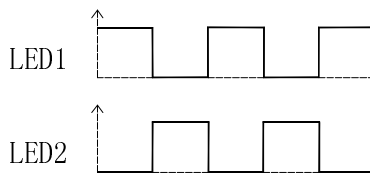


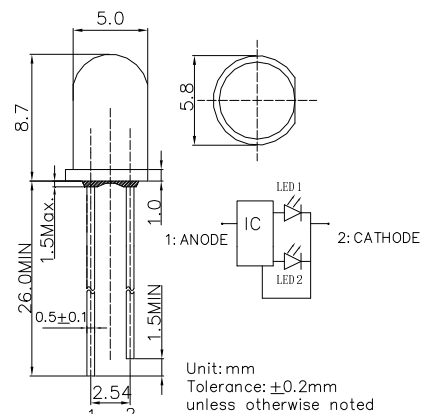
■ Description

This LED is built with two different or same color LEDs. It takes turns flashing with 1.5Hz and the duty cycle of each LED is 1/2 when this LED is powered with DC3-5V

■ Flashing Waveform



■ Outline Dimension



■ Features

- High Luminous LEDs
- UV Resistant Epoxy
- Water Clear Type
- Bi-color Flashing Type

■ Applications

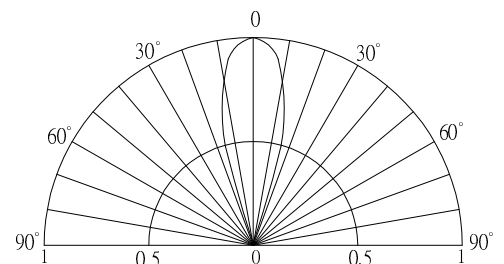
- Toys
- Games
- Audio / Other Lighting

■ Absolute Maximum Rating

(Ta=25°C)

Item	Symbol	Value	Unit
Power Supply	Voltage	5	V
Duty Cycle	Duty	1/2	-
Operating Temperature	Topr	-30 ~ +85	°C
Storage Temperature	Tstg	-40~ +100	°C
Lead Soldering Temperature	Tsol	260°C/5sec	-

■ Directivity



■ Electrical -Optical Characteristics (Ta=25°C)

Color	VF (V)			Iv(mcd)*			λD(nm)/CCT(K)*			Fled (Hz)*	2θ1/2(deg)
	Min.	Typ.	Max.	Min.	Typ.	Max.	Min.	Typ.	Max.	Typ.	Typ.
VF =3.5V											
Red	3.0	3.5	5.0	3000	4200	-	620	625	630	1.5	30
Yellow	3.0	3.5	5.0	3000	4200	-	585	590	595		
Blue	3.0	3.5	5.0	1560	2180	-	462.5	467.5	472.5		
Pure Green	3.0	3.5	5.0	5800	7000	-	520	525	530		
Cool White	3.0	3.5	5.0	7000	8400	-	CCT:8000-18000K				
Warm White	3.0	3.5	5.0	7000	8400	-	CCT:2700-3300K				

■ Part Number

Flashing Color	Red	Yellow	Pure Green	Blue
Red	OSRRMF5A31A	OSRYMF5A31A	OSRPMF5A31A	OSRBMF5A31A
Yellow	OSRYMF5A31A	OSYYMF5A31A	OSYPMF5A31A	OSYBMF5A31A
Pure Green	OSRPMF5A31A	OSYPMF5A31A	OSPPDF5A31A	OSPBDF5A31A
Blue	OSRBMF5A31A	OSYBMF5A31A	OSPBDF5A31A	OSBBDF5A31A
Cool White	OSRWMF5A31A	OSYWMF5A31A	OSPWDF5A31A	OSBWDF5A31A
Warm White	OSRMMF5A31A	OSYMMF5A31A	OSPMDF5A31A	OSBMDF5A31A

*1 Tolerance of measurements of chromaticity coordinates is ±10% *2 Tolerance of measurements of dominant wavelength is ±1nm
 *3 Tolerance of measurements of luminous intensity is ±15% *4 Tolerance of measurements of forward voltage is ±0.1V
 *5 Tolerance of measurements of Frequency is ±20%