

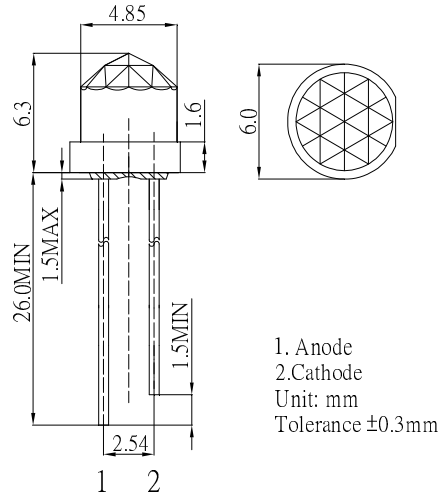
■ **Features**

- High Luminous LEDs
- Diamond Standard Directivity
- Superior Weather-resistance
- UV Resistant Epoxy
- Water Clear Type

■ **Applications**

- Small Area Illuminations
- Decoration
- Other Lighting

■ **Outline Dimension**

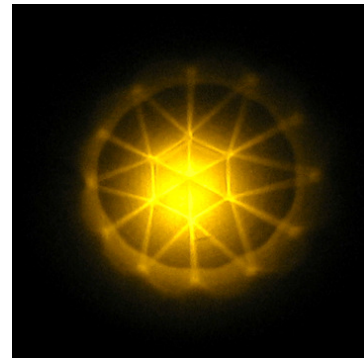


■ **Absolute Maximum Rating**

($T_a=25^\circ\text{C}$)

Item	Symbol	Value	Unit
DC Forward Current	I_F	30	mA
Pulse Forward Current*	I_{FP}	100	mA
Reverse Voltage	V_R	5	V
Power Dissipation	P_D	78	mW
Operating Temperature	T_{opr}	-30 ~ +85	$^\circ\text{C}$
Storage Temperature	T_{stg}	-40 ~ +100	$^\circ\text{C}$
Lead Soldering Temperature	T_{sol}	260 $^\circ\text{C}$ /5sec	-

■ **Directivity**



*Pulse width Max.10ms Duty ratio max 1/10

■ **Electrical -Optical Characteristics**

($T_a=25^\circ\text{C}$)

Item	Symbol	Condition	Min.	Typ.	Max.	Unit
DC Forward Voltage	V_F	$I_F=20\text{mA}$	1.8	2.1	2.6	V
DC Reverse Current	I_R	$V_R=5\text{V}$	-	-	10	μA
Domi. Wavelength*	λ_D	$I_F=20\text{mA}$	585	590	595	nm
Luminous Intensity*	I_v	$I_F=20\text{mA}$	750	1120	-	mcd
50% Power Angle	$2\theta_{1/2}$	$I_F=20\text{mA}$	-	-	-	deg

*1 Tolerance of dominant wavelength is $\pm 1\text{nm}$

*2 Tolerance of luminous intensity is $\pm 15\%$