

**■ Features**

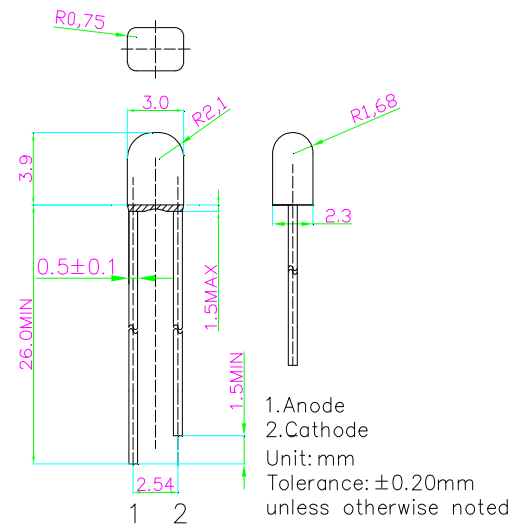
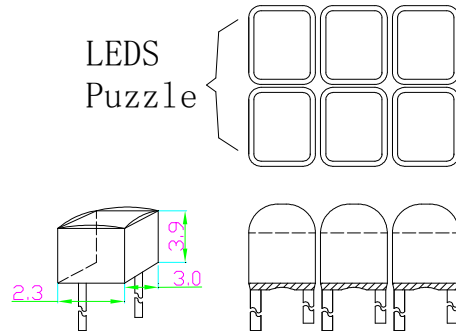
- High luminous Intensity
- Can be combined into different puzzle patterns
- UV resistant epoxy
- Water clear type

**■ Applications**

- LED light display
- Decorative lamps
- Creative DIY lights
- Toys & Games

**■ Outline Dimension**

**■ Combination Reference**



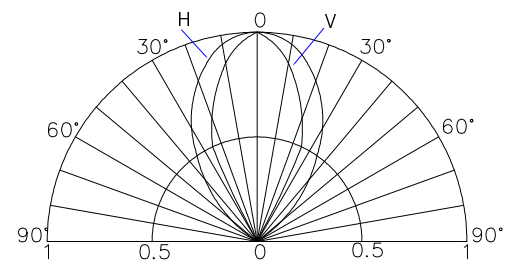
**■ Absolute Maximum Rating**

(Ta=25°C)

Item	Symbol	Value		Unit
		W/M/B/PG	Y/O/R	
DC Forward Current	I <sub>F</sub>	30	30	mA
Pulse Forward Current#	I <sub>FP</sub>	100	100	mA
Reverse Voltage	V <sub>R</sub>	5	5	V
Power Dissipation	P <sub>D</sub>	102	78	mW
Operating Temperature	T <sub>opr</sub>	-30 ~ +85		°C
Storage Temperature	T <sub>stg</sub>	-40 ~ +100		°C
Lead Soldering Temperature	T <sub>sol</sub>	260°C/5sec		-

#Pulse width Max 0.1ms, Duty ratio max 1/10

**■ Directivity**



**■ Electrical -Optical Characteristics**

(Ta=25°C)

Part Number	Color		V <sub>F</sub> (V)*			I <sub>R</sub> (μA)	I <sub>v</sub> (mcd)*			λ <sub>D</sub> (nm)/CCT(K)*			2θ1/2(deg)
			Min.	Typ.	Max.		Min.	Typ.	Max.	Min.	Typ.	Max.	
			I <sub>F</sub> =20mA			V <sub>R</sub> =5V			I <sub>F</sub> =20mA				
OSW54K6F71B	White	W	-	2.9	3.4	10	3000	4200	-	CCT:8000-18000K			70/50
OSM54K6F71B	Warm White	M	-	2.9	3.4	10	3000	4200	-	CCT:2700-3300K			70/50
OSB5DA6F71B	Blue	B	-	2.9	3.4	10	1120	1560	-	465	470	475	70/50
OSG58A6F71B	Pure Green	PG	-	2.9	3.4	10	3000	4200	-	520	525	530	70/50
OSY5PA6F71B	Yellow	Y	-	2.1	2.6	10	1120	1560	-	585	590	595	70/50
OSO5PA6F71B	Orange	O	-	2.1	2.6	10	1120	1560	-	600	605	610	70/50
OSR5PA6F71B	Red	R	-	2.1	2.6	10	1120	1560	-	620	625	630	70/50

\*1 Tolerance of measurements of dominant wavelength is ±1nm

\*2 Tolerance of measurements of chromaticity coordinate is ±10%

\*3 Tolerance of measurements of luminous intensity is ±15%

\*4 Tolerance of measurements of forward voltage is ±0.1V