

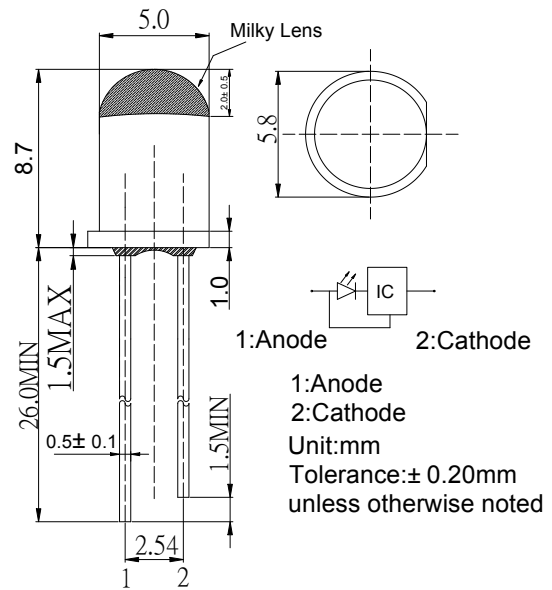
**■Features**

- High Luminous LEDs
- 5mm Round Standard Directivity
- Flashing Type
- UV Resistant Epoxy
- Water Clear Body with Milky Lens

**■Applications**

- Electronic Signs And Signals
- Small Area Illuminations
- Back Lighting
- Other Lighting

**■Outline Dimension**



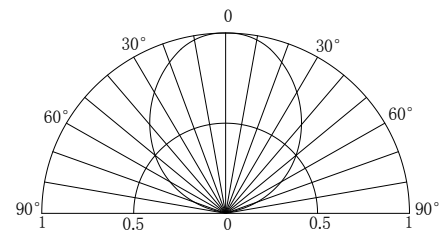
**■Absolute Maximum Rating**

(Ta=25°C)

Item	Symbol	Value	Unit
Power Supply	Voltage	5	V
Duty Cycle	Duty	1/2	-
Operating Temperature	Topr	-30 ~ +85	°C
Storage Temperature	Tstg	-40 ~ +100	°C
Lead Soldering Temperature	Tsol	260°C/5sec	-

\*Pulse width Max 0.1ms, Duty ratio max 1/10

**■Directivity**



**■Electrical -Optical Characteristics**

(Ta=25°C)

Part Number	Color		V <sub>F</sub> (V)			I <sub>v</sub> (mcd)*			λD(nm)*			Fled (Hz)*	2θ1/2(deg)
			Min.	Typ.	Max.	Min.	Typ.	Max.	Min.	Typ.	Max.	Typ.	Typ
			I <sub>F</sub> =20mA			I <sub>F</sub> =20mA							
OSW5DS51A5A	Cool White	W	3.0	3.5	5.0	4200	5800	-	8500-18000K(X:0.27,Y:0.28)			1.8	100
OSB5SS51A5A	Blue	B	3.0	3.5	5.0	1560	2180	-	465	470	475		
OSG5DS51A5A	Pure Green	G	3.0	3.5	5.0	2180	3000	-	520	525	530		
OSY5MS51A5A	Yellow	Y	3.0	3.5	5.0	2180	3000	-	585	590	595		
OSR5MS51A5A	Red	R	3.0	3.5	5.0	2180	3000	-	620	625	630		

\*1 Tolerance of measurements of chromaticity coordinates is ±10%

\*2 Tolerance of measurements of dominant wavelength is ±1nm

\*3 Tolerance of measurements of luminous intensity is ±15%

\*4 Tolerance of measurements of forward voltage is ±0.1V

\*5 Tolerance of measurements of Frequency is ±20%