

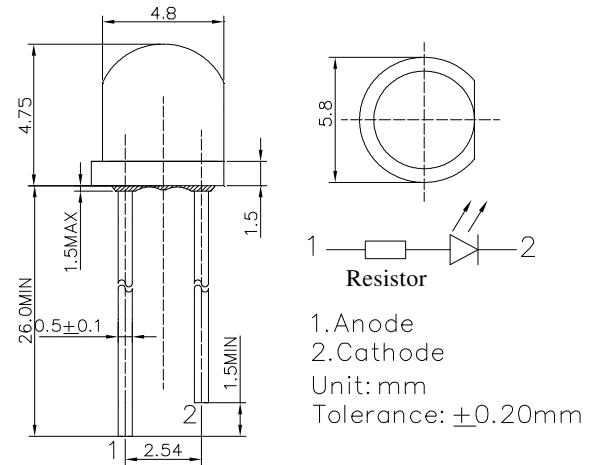
■ Features

- High Luminous LEDs
- 4.8mm Straw Standard Directivity
- UV Resistant Epoxy
- Integral Current Limiting Resistor
- TTL Compatible (Requires No External Current Limiter With 5 Volt Supply)
- Cost Effective (Saves Space and Resistor Cost)
- Water Clear Type

■ Applications

- Status Indicators
- Other Lighting

■ Outline Dimension

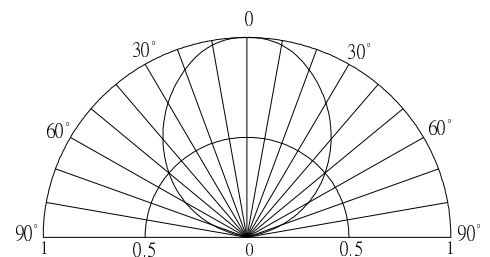


■ Absolute Maximum Rating

($T_a=25^\circ\text{C}$)

Item	Symbol	Value	Unit
DC Forward Voltage	V_F	7.5	V
Reverse Voltage	V_R	5	V
Power Dissipation	P_D	150	mW
Operating Temperature	T_{opr}	-30 ~ +85	$^\circ\text{C}$
Storage Temperature	T_{stg}	-40 ~ +100	$^\circ\text{C}$
Lead Soldering Temperature	T_{sol}	260 $^\circ\text{C}$ /5sec	-

■ Directivity



■ Electrical -Optical Characteristics

($T_a=25^\circ\text{C}$)

Part Number	Color			I_F (mA)			I_v (mcd)*			λ_D (nm)*			2 $\theta_{1/2}$ (deg)
				Min	Typ.	Max.	Min.	Typ.	Max.	Min.	Typ.	Max.	Typ.
				$V_F=5V$			$V_F=5V$						
OSW5DK56A1A-5V	White	W		-	12	20	750	1120	-	X=0.27, Y=0.28(CCT:8500-18000K)			100
OSM5DK56A1A-5V	Warm White	M		-	12	20	500	750	-	X=0.45, Y=0.41(CCT:2700-3300K)			100
OSK5DK56A1A-5V	Pink	K		-	12	20	220	330	-	X=0.45, Y=0.17			100
OSB5SA56A1A-5V	Blue	B		-	12	20	500	750	-	465	470	475	100
OSG5DA56A1A-5V	Pure Green	TG		-	12	20	750	1120	-	520	525	530	100
OSG8HA56A1A-5V	Yellow Green	G		-	12	20	45	68	-	565	570	575	100
OSY5RU56A1A-5V	Yellow	Y		-	12	20	150	220	-	585	590	595	100
OSO5JA56A1A-5V	Orange	O		-	12	20	150	220	-	600	605	610	100
OSR5RU56A1A-5V	Red	R		-	12	20	150	220	-	620	625	630	100

*1 Tolerance of measurements of Domi. wavelength is $\pm 1\text{nm}$
 *2 Tolerance of measurements of chromaticity coordinates is $\pm 10\%$
 *3 Tolerance of measurements of luminous intensity is $\pm 15\%$
 *4 Tolerance of measurements of forward voltage is $\pm 0.1V$