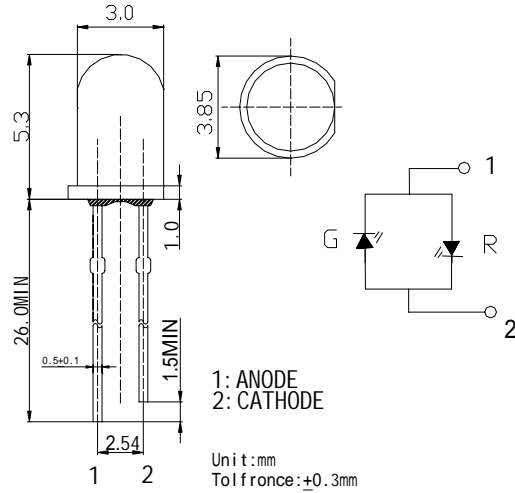


**■Features**

- 3 $\theta$  Standard Directivity
- Superior Weather-resistance
- UV Resistant Epoxy
- Water Clear Type
- RoHS Compliant

**■Applications**

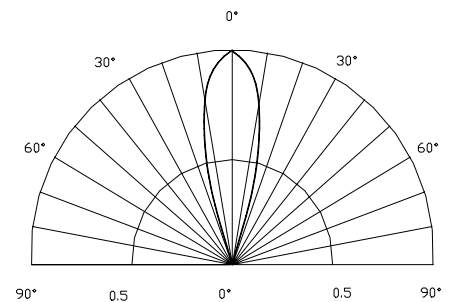
- Automotive Dashboard Lighting
- Back Lighting

**■Outline Dimension**

**■Absolute Maximum Rating**

(Ta=25 )

Item	Symbol	Value	Unit
DC Forward Current(R/G)	$I_F$	50	mA
Pulse Forward Current*(R/G)	$I_{FP}$	150	mA
Reverse Voltage	$V_R$	5	V
Power Dissipation	$P_D$	120	mW
Operating Temperature	Topr	-30 ~ +80	
Storage Temperature	Tstg	-30 ~ +100	
Lead Soldering Temperature	Tsol	260 / 3sec	-

\*Pulse width Max.10ms Duty ratio max 1/10

**■Directivity**

**■Electrical -Optical Characteristics**

(Ta=25 )

Item	Symbol	Condition	Min.	Typ.	Max.	Unit
DC Forward Voltage	(R/G) $V_F$	$I_F=20mA$	1.8	2.0	2.4	V
DC Reverse Current	(R/G) $I_R$	$V_R=5V$	-	-	10	$\mu A$
Domi. Wavelength	(R) $\lambda_D$	$I_F=20mA$	620	625	630	nm
	(G) $\lambda_D$	$I_F=20mA$	565	570	575	nm
Luminous Intensity	(R) $I_v$	$I_F=20mA$	500	750	-	mcd
	(G) $I_v$	$I_F=20mA$	500	750	-	mcd
50% Power Angle	$2\theta_{1/2}$	$I_F=20mA$	-	30	-	deg