

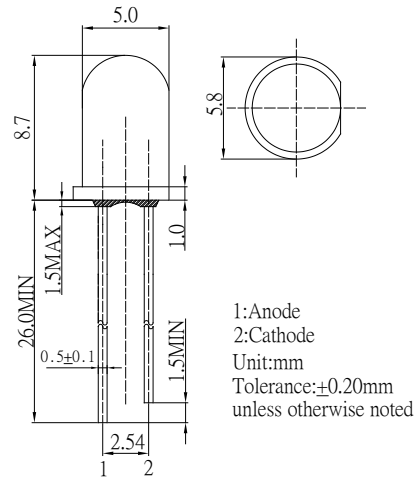
■ **Features**

- High Luminous LEDs
- Low Power Consumption
- UV Resistant Epoxy
- Specified at IF = 1 mA
- White Diffused Type

■ **Applications**

- Background illumination
- Communications equipment
- Low power DC circuits
- General lighting purposes

■ **Outline Dimension**



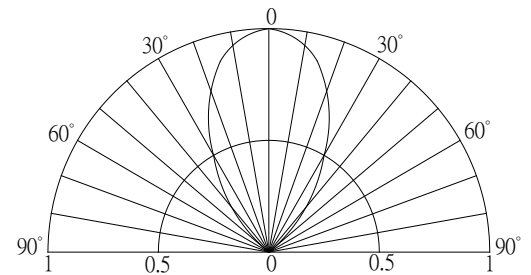
■ **Absolute Maximum Rating**

(Ta=25°C)

Item	Symbol	Value		Unit
		W/M/B/PG	Y/O/R	
DC Forward Current	IF	30	30	mA
Pulse Forward Current#	IFP	100	100	mA
Reverse Voltage	VR	5	5	V
Power Dissipation	PD	102	66	mW
Operating Temperature	Topr	-30 ~ +85		°C
Storage Temperature	Tstg	-40 ~ +100		°C
Lead Soldering Temperature	Tsol	260°C/5sec		-

#Pulse width Max.10ms Duty ratio max 1/10

■ **Directivity**



■ **Electrical -Optical Characteristics**

(Ta=25°C)

Part Number	Color			VF (V)			IR (μA)	Iv (mcd)			λD (nm)			θ1/2 (deg)
				Min.	Typ.	Max.	Max.	Min.	Typ.	Max.	Min.	Typ.	Max.	Typ.
				IF=1mA			VR=5V	IF=1mA						
OSB5DA5B62A-1MA	Blue	B	■	-	2.8	3.4	10	220	330	-	465	470	475	60
OSG58A5B62A-1MA	Pure Green	PG	■	-	2.8	3.4	10	500	750	-	520	525	530	60
OSY5PA5B62A-1MA	Yellow	Y	■	-	1.8	2.2	10	220	330	-	585	590	595	60
OSO5PA5B62A-1MA	Orange	O	■	-	1.8	2.2	10	220	330	-	600	605	610	60
OSR5PA5B62A-1MA	Red	R	■	-	1.8	2.2	10	220	330	-	620	625	630	60

\*1 Tolerance of measurements of chromaticity coordinate is ±10%

\*2 Tolerance of measurements of dominant wavelength is ±1nm

\*3 Tolerance of measurements of luminous intensity is ±15%

\*4 Tolerance of measurements of forward voltage is ±0.1V