

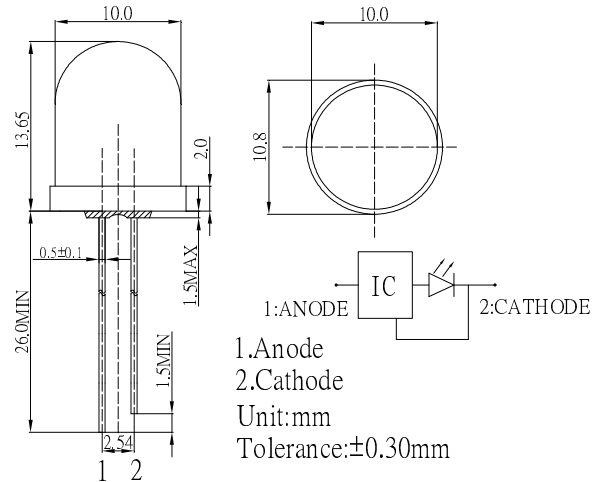
■Features

- Highest Luminous Flux
- 10mm Round Standard Directivity
- Flashing Type
- Superior UV Resistance
- Color Diffused Type
- White Diffused Type only for White LED

■Applications

- Electronic Signs And Signals
- Small Area Illuminations
- Back Lighting
- Other Lighting

■Outline Dimension



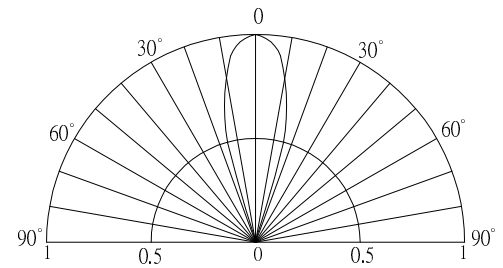
■Absolute Maximum Rating

(Ta=25°C)

Item	Symbol	Value	Unit
		W/B/TG /R/Y/YG/O	
Power Supply	Voltage	5	V
Duty Cycle	Duty	1/2	-
Operating Temperature	Topr	-30 ~ +85	°C
Storage Temperature	Tstg	-40 ~ +100	°C
Lead Soldering Temperature	Tsol	260°C/5sec	-

*Pulse width Max 0.1ms, Duty ratio max 1/10

■Directivity



■Electrical -Optical Characteristics

(Ta=25°C)

Part Number	Color		VF (V)			Iv(mcd)*			λD(nm)*			Fled (Hz)*	2θ1/2 (deg)
			Min.	Typ.	Max.	Typ.	Typ.	Max.	Min.	Typ.	Max.	Typ.	Typ.
			IF=20mA			IF=20mA			IF=20mA				
OSW5YSA132A	White	W	3.0	3.5	5.0	1120	1560	-	CCT:8000-18000K			1.8	30
OSB4YSA134A	Blue	B	3.0	3.5	5.0	220	330	-	455	460	465		
OSG5TSA134A	True green	TG	3.0	3.5	5.0	1120	1560		520	525	530		
OSG8HSA134A	Yellow Green	YG	3.0	3.3	5.0	100	150	-	565	570	575		
OSY5JSA134A	Yellow	Y	3.0	3.3	5.0	220	330	-	585	590	595		
OSO5JSA134A	Orange	O	3.0	3.3	5.0	220	330		600	605	610		
OSR5JSA134A	Red	R	3.0	3.3	5.0	220	330	-	620	625	630		

Note: *1. Dominant wavelength tolerance: ±1nm

*2. Tolerance of luminous intensity is ±15%

*3 Tolerance of Frequency is ±20%