

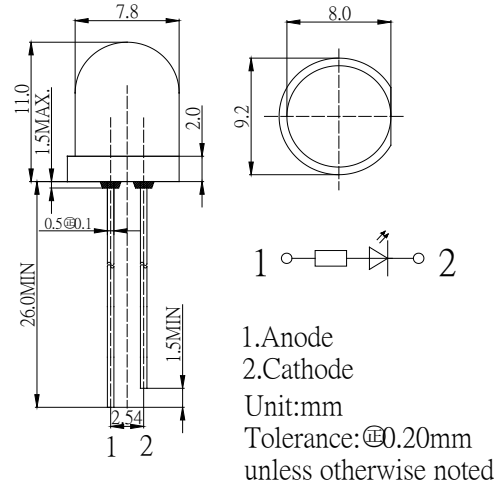
■ Features

- High Luminous LEDs
- 8mm Round Standard Directivity
- UV Resistant Epoxy
- Integral Current Limiting Resistor
- TTL Compatible (Requires No External Current Limiter With 12 Volt Supply)
- Cost Effective (Saves Space and Resistor Cost)
- Color Diffused Type (W/M: White Diffused Type)

■ Applications

- Status Indicators
- Other Lighting

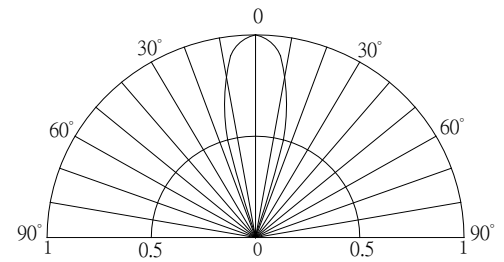
■ Outline Dimension



■ Absolute Maximum Rating (Ta=25°C)

Item	Symbol	Value	Unit
DC Forward Voltage	V _F	15	V
Reverse Voltage	V _R	12	V
Power Dissipation	P _D	225	mW
Operating Temperature	T _{opr}	-30 ~ +85	°C
Storage Temperature	T _{stg}	-40 ~ +100	°C
Lead Soldering Temperature	T _{sol}	260°C/5sec	-

■ Directivity



■ Electrical -Optical Characteristics (Ta=25°C)

Part Number	Color		I _F (mA)*			I _v (mcd)*			λD(nm)*			2θ1/2(deg)
			Min	Typ.	Max.	Min.	Typ.	Max.	Min.	Typ.	Max.	Typ.
			V _F = 12V			V _F = 12V						
OSW5DK8132A-12V	White	W	-	10	15	1560	2180	-	X=0.27, Y=0.28			30
OSM5DK8132A-12V	Warm White	M	-	10	15	1120	1560	-	X=0.45, Y=0.41			30
OSB5SA8134A-12V	Blue	B	-	10	15	750	1120	-	465	470	475	30
OSG5DA8134A-12V	Pure Green	PG	-	10	15	1560	2180	-	520	525	530	30
OSY5PA8134A-12V	Yellow	Y	-	10	15	1120	1560	-	585	590	595	30
OSO5PA8134A-12V	Orange	O	-	10	15	1120	1560	-	600	605	610	30
OSR5PA8134A-12V	Red	R	-	10	15	1120	1560	-	620	625	630	30

*1 Tolerance of measurements of chromaticity coordinates is ±10%

*2 Tolerance of measurements of dominant wavelength is ±1nm

*3 Tolerance of measurements of luminous intensity is ±15%

*4 Tolerance of measurements of forward voltage is ±0.1V