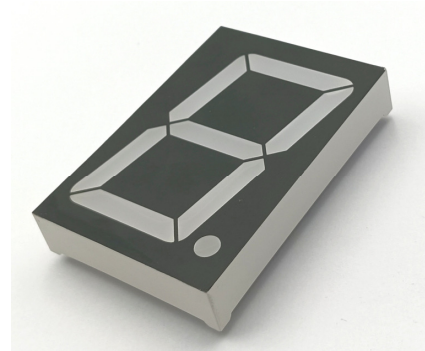


■ Photo



■ Features

- 3.0 Inch Single Digit Display
- Long lifetime operation
- IC compatible
- Low power dissipation
- Black surface & white segment or dot
- Number of pins :10

■ Applications

- Counting device / Clock

■ Absolute Maximum Rating (Ta=25°C)

Item	Symbol	Value		Unit
		YG/Y/O/R/RA	W/B/PG	
DC Forward Current	I _F	20	20	mA
Pulse Forward Current#	I _{FP}	100	100	mA
Reverse Voltage / Per Segment or (Dp)	V _R	15(5)	15(5)	V
Power Dissipation / Per Segment or (Dp)	P _t	190(130)	288(144)	mW
Operating Temperature	Topr	-30 ~ +70		°C
Storage Temperature	Tstg	-40~ +85		°C
Lead Soldering Temperature(1.6mm from seating plane)	Tsol	260°C/5sec		°C

#Pulse width Max.10ms Duty ratio max 1/10

■ Electrical -Optical Characteristics (Ta=25°C)

Part Number	Color			V _F (V)			I _R (μA)	I _v (mcd)			λD(nm)		
				Per Segment or (Dp)				Max.	Min.	Typ.	Max.	Min.	Typ.
				Min.	Typ.	Max.	I _F =20mA						
OSL13007-IW(LW)	White	W		-	17.4 (5.8)	20.4 (6.8)	10	-	80	-	CCT:8500-18000K		
OSL13007-IB(LB)	Blue	B	■	-	17.4 (5.8)	20.4 (6.8)	10	-	50	-	460	465	475
OSL13007-IG(LG)	Pure Green	PG	■	-	17.4 (5.8)	20.4 (6.8)	10	-	200	-	515	525	530
OSL13007-IYG(LYG)	Yellow Green	YG	■	-	12 (4.0)	14.4 (4.8)	10	-	12	-	565	570	575
OSL13007-IY(LY)	Yellow	Y	■	-	12 (4.0)	14.4 (4.8)	10	-	60	-	585	590	595
OSL13007-IO(LO)	Orange	O	■	-	12 (4.0)	14.4 (4.8)	10	-	70	-	600	605	610
OSL13007-IR(LR)	Red	R	■	-	12 (4.0)	14.4 (4.8)	10	-	26	-	625	630	640
OSL13007-IRA(LRA)	High Luminance Red	RA	■	-	12 (4.0)	14.4 (4.8)	10	-	100	-	620	625	630

*1 Tolerance of measurements of color temperature is ±10%

*3 Tolerance of measurements of luminous intensity is ±15%

*2 Tolerance of measurements of dominant wavelength is ±1nm

*4 Tolerance of measurements of forward voltage is±0.1V

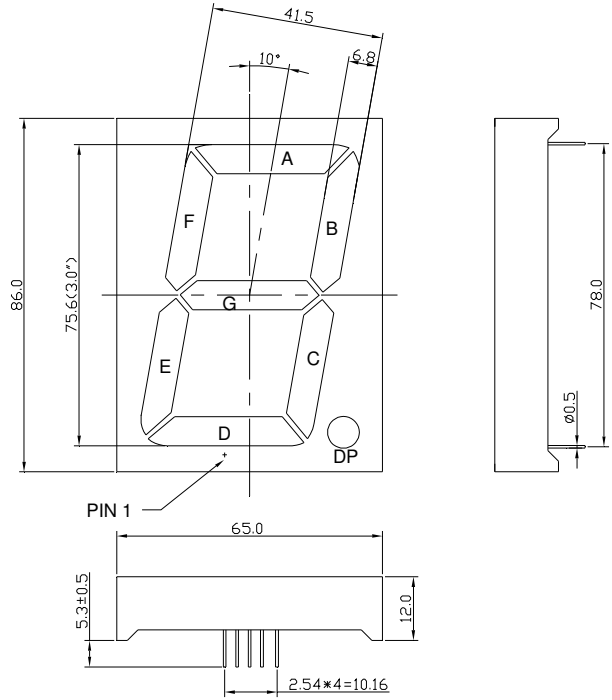
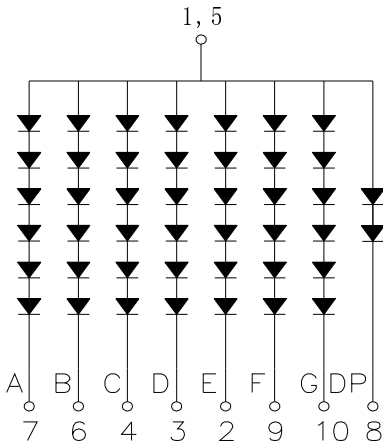
■ Package Dimensions and Pin Function

OSL13007-IX

(Common Anode type)

Note:

- 1, Unit : mm(Tolerance:±0.25mm unless otherwise noted)
- 2, The slope angle of any PIN may be±5.0°Max



OSL13007-LX

(Common Cathode type)

Note:

- 1, Unit : mm(Tolerance:±0.3mm unless otherwise noted)
- 2, The slope angle of any PIN may be±5.0°Max

