

| |
|---|
| 1.0 Inch Single Digit Display |
| OSL11004-IW5 (Common Anode type) |
| OSL11004-LW5 (Common Cathode type) |

■ **Features**

- 1.0 Inch Single Digit Display
- Long lifetime operation
- IC compatible
- Low power dissipation
- Black surface & white segment or dot
- **Number of pins :10**

■ **Applications**

- Counting device
- Clock

■ **Absolute Maximum Rating (Ta=25°C)**

| Item | Symbol | Value | Unit |
|--|-----------------|------------|------|
| DC Forward Current | I _F | 25 | mA |
| Pulse Forward Current# | I _{FP} | 100 | mA |
| Reverse Voltage/Per Segment or (Dp) | V _R | 10(5) | V |
| Power Dissipation/Per Segment or (Dp) | P _t | 170(85) | mW |
| Operating Temperature | Topr | -30 ~ +70 | °C |
| Storage Temperature | Tstg | -40~ +85 | °C |
| Lead Soldering Temperature(1.6mm from seating plane) | Tsol | 260°C/5sec | °C |

#Pulse width Max.10ms Duty ratio max 1/10

■ **Electrical -Optical Characteristics (Ta=25°C)**

| Part Number | Color | | | V _F (V) Per Segment or (Dp) | | | I _R (μA) | I _v (mcd) | | | Chromaticity Coordinates* | | |
|--------------|------------|---|--|---|--------------|--------------|---|----------------------|------|------|------------------------------|------|------|
| | | | | Min. | Typ. | Max. | Max. | Min. | Typ. | Max. | Min. | Typ. | Max. |
| | | | | I _F =20mA | | | V _R =10V V _R =5V(Dp) | I _F =20mA | | | | | |
| OSL11004-IW5 | Cool White | W | | 5.8 (2.9) | 6.2 (3.1) | 6.8 (3.4) | 20 | - | 100 | - | X=0.27 Y=0.28 | | |
| OSL11004-LW5 | Cool White | W | | 5.8 (2.9) | 6.2 (3.1) | 6.8 (3.4) | 20 | - | 100 | - | X=0.27 Y=0.28 | | |

*1 Tolerance of measurements of chromaticity coordinates is ±10%

*2 Tolerance of measurements of luminous intensity is ±15%

*3 Tolerance of measurements of forward voltage is ±0.1V

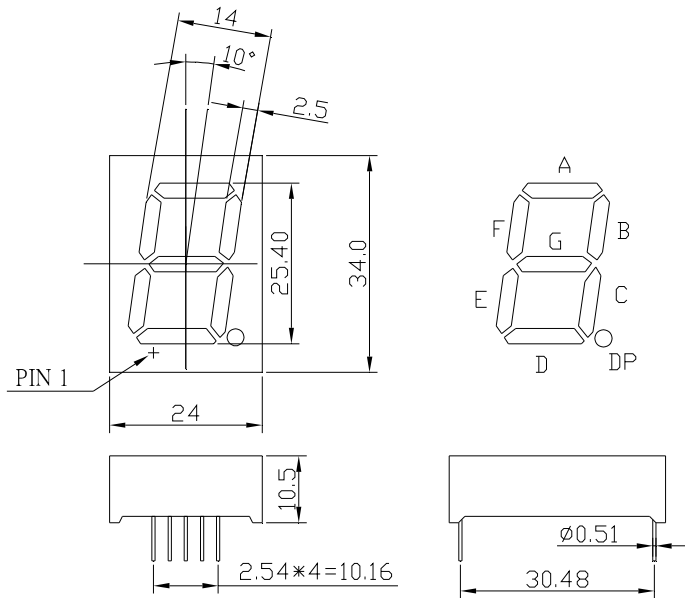
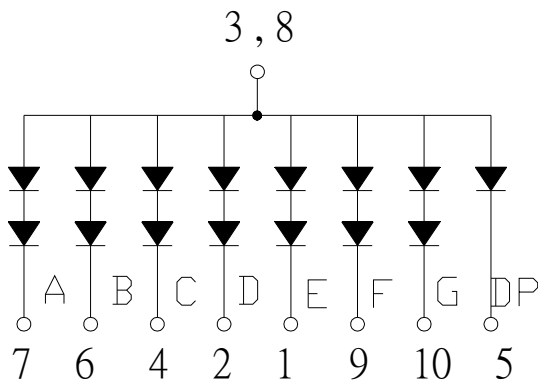
■ Package Dimensions and Pin Function

**OSL11004-IW5
(Common Anode type)**

Note:

1, Unit : mm(Tolerance:±0.25mm unless otherwise noted)

2, The slope angle of any PIN may be±5.0° Max



**OSL11004-LW5
(Common Cathode type)**

Note:

1, Unit : mm(Tolerance:±0.25mm unless otherwise noted)

2, The slope angle of any PIN may be±5.0° Max

